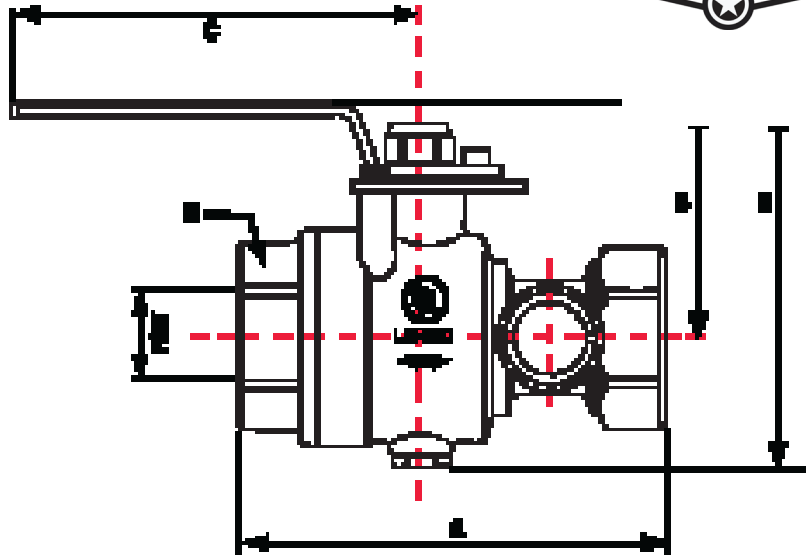
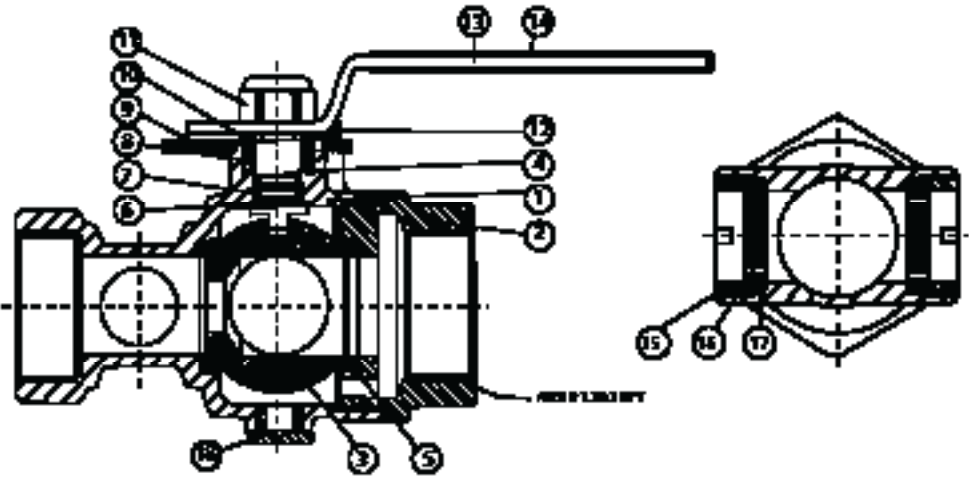


# TEST AND DRAIN VALVE



Female NPT Inlet and Outlet  
 Rated 300 PSI  
 Forged Brass Body  
 Chrome Plated Brass Ball with PTFE seats

- MATERIAL SPECIFICATIONS**
- 1 Body - Bronze ASTM -B62
  - 2 Body Cap - Forged Brass ASTM -C3770
  - 3 Ball - Brass ASTM -B16/C37700
  - 4 Stem - Brass ASTM -B16
  - 5 Seat - PTFE
  - 6 Thrust Washer - PFTE
  - 7 O-Ring - NBR ASTM -D2000
  - 8 Gland Packing - PFTE
  - 9 Indicator - Plate Steel
  - 10 Gland - Brass ASTM -B16
  - 11 Nut - Steel
  - 12 Stop Screw - Stainless Steel
  - 13 Lever - Steel
  - 14 Handle Cover - PVC Vinyl
  - 15 Retaining Ring - Brass ASTM -B16
  - 16 Washer - Acrylic 2
  - 17 O-Ring - NBR ASTM -D2000
  - 18 Cap Plug - Brass ASTM -B16



| ITEM #      | SIZE                     | plug | Port    | A       | B        | C        | D        | H  |
|-------------|--------------------------|------|---------|---------|----------|----------|----------|----|
| 6520181     | 1" with 1/2" orifice     | 1/4" | 1-1/16" | 5-1/32" | 2-43/64" | 5-11/32" | 4-27/64" | 2" |
| 6520182     | 1-1/4" with 1/2" orifice | 1/4" | 1-1/16" | 5-1/32" | 2-43/64" | 5-11/32" | 4-27/64" | 2" |
| 6520182-150 | 1-1/2" with 1/2" orifice | N/A  | 1-3/4"  | 6.811"  | 5"       | 5-11/32" | 5"       | 3" |
| 6520182-200 | 2" with 1/2" orifice     | N/A  | 1-3/4"  | 6.811"  | 5"       | 5-11/32" | 5"       | 3" |

|              |  |          |  |              |  |           |  |
|--------------|--|----------|--|--------------|--|-----------|--|
| System No.   |  | Location |  | Spec Section |  | Paragraph |  |
| Submitted By |  | Date     |  | Approved     |  | Date      |  |

# TEST AND DRAIN VALVE WITH PRESSURE RELIEF

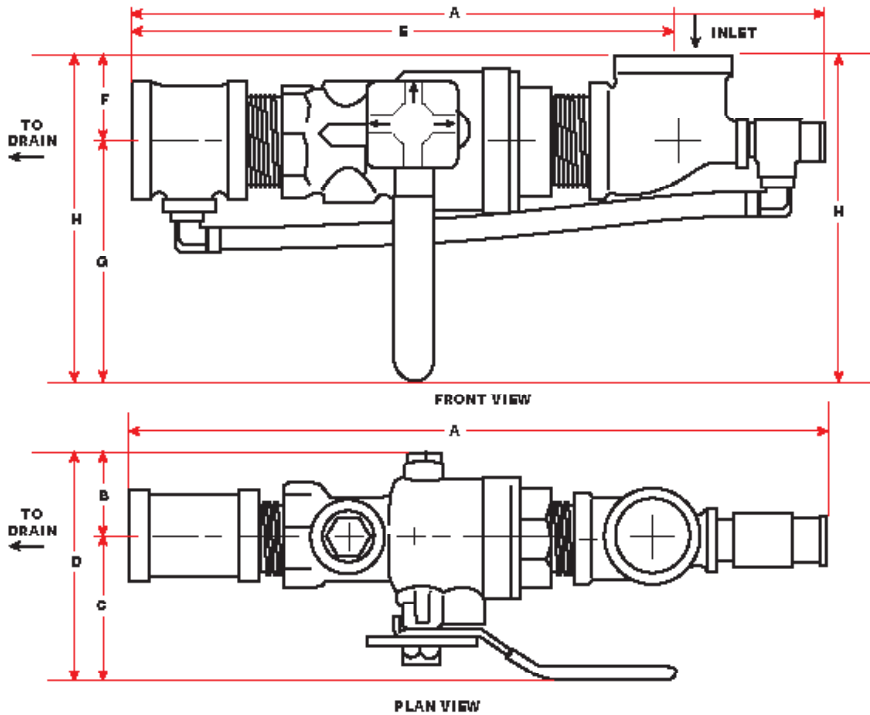


Provides the test and express drain functions for wet fire sprinkler systems on multi-story installations requiring pressure relief (NFPA 13 and NFPA 13R). Features a Pressure Relief Valve with drain pipe.



- Complies with NFPA 13 and NFPA 13R Requirements
- Compact, Single-Handle Ball Valve
- Tamper-Resistant Test Orifice and Sight Glasses
- 300 PSI rated.
- Relieves Excess System Pressure caused by Surges or Temperature Changes
- Shipped with Relief Valve and Bypass Drain Ports Plugged to Expedite Pressure Testing

| Materials            |                     |
|----------------------|---------------------|
| Handle .....         | Steel               |
| Stem .....           | Rod Brass           |
| Ball.....            | C.P. Brass          |
| Body .....           | Bronze              |
| Valve Seat.....      | Impregnated Teflon® |
| Indicator Plate .... | Steel               |
| Relief Valve .....   | Bronze              |
| Bypass Fittings...   | Brass               |
| Bypass Tubing....    | Nylobraid           |



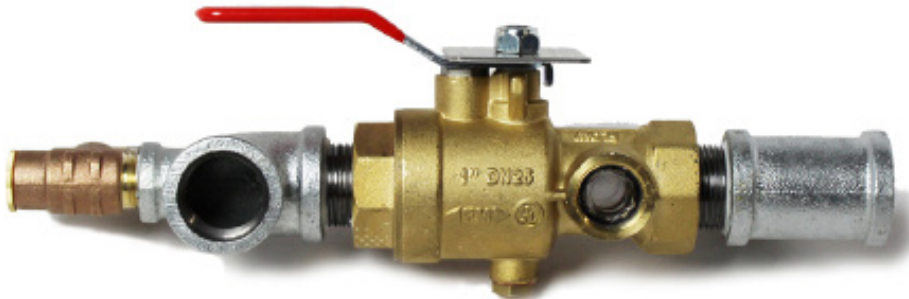
| SIZE   | ITEM #          | A | B | C | D | E | F | G | H |
|--------|-----------------|---|---|---|---|---|---|---|---|
| 1"     | 6520181-PRV     |   |   |   |   |   |   |   |   |
| 1-1/4" | 6520182-PRV     |   |   |   |   |   |   |   |   |
| 1-1/2" | 6520182-150-PRV |   |   |   |   |   |   |   |   |
| 2"     | 6520182-200-PRV |   |   |   |   |   |   |   |   |

|              |  |          |  |              |  |           |  |
|--------------|--|----------|--|--------------|--|-----------|--|
| System No.   |  | Location |  | Spec Section |  | Paragraph |  |
| Submitted By |  | Date     |  | Approved     |  | Date      |  |

# TEST AND DRAIN VALVE WITH PRESSURE RELIEF



Provides the test and express drain functions for wet fire sprinkler systems on multi-story installations requiring pressure relief (NFPA 13 and NFPA 13R). Features a Pressure Relief Valve with drain pipe.



- Complies with NFPA 13 and NFPA 13R Requirements
- Compact, Single-Handle Ball Valve
- Tamper-Resistant Test Orifice and Sight Glasses
- 300 PSI rated.
- Relieves Excess System Pressure caused by Surges or Temperature Changes
- Shipped with Relief Valve and Bypass Drain Ports Plugged to Expedite Pressure Testing

## ARGCO's Test & Drain with Pressure Relief provides the following:

From the 2013 Edition of NFPA 13

- Chapter 8.16.2.4.1\* Provisions shall be made to properly drain all parts of the system.
- Chapter 8.16.2.4.2 Drain connections, interior sectional or floor control valve(s) –shall be provided with a drain connection having a minimum size as shown in Table 8.16.2.4.2.
- & 8.16.2.4.3
- Chapter 8.16.2.4.4 Drains shall discharge outside or to a drain capable of handling the flow of the drain.
- Chapter A.8.17.4.2 (Wet Pipe System) test connection is permitted to terminate into a drain capable of accepting full flow... using an approved sight test connection containing a smooth bore corrosion-resistant orifice giving a flow equivalent to one sprinkler...
- Chapter 8.17.4.2.2 The test connection valve shall be accessible.
- Chapter 8.17.4.2.4 shall be permitted to be installed in any location... downstream of the waterflow alarm.
- Chapter 8.17.4.3.1 (Dry Pipe System) a trip test connection not less than 1" in diameter, terminating in a smooth bore corrosion-resistant orifice, to provide a flow equivalent to one sprinkler...
- Chapter 8.17.4.3.2 The trip test connection... with a shutoff valve and plug not less than 1", at least one of which shall be brass.
- Chapter 7.1.2 - a wet pipe system shall be provided with a listed relief valve set to operate at 175 PSI or 10 PSI in excess of the maximum system pressure, whichever is greater.
- Chapter 8.16.1.2.3\* A listed relief valve of not less than ½" in size shall be provided on the discharge side of the pressure-reducing valve set to operate at a pressure not exceeding rated pressure of the system.
- Chapter A.8.16.1.2.3 - consideration should be given to piping the discharge from the (pressure relief) valve

|              |  |          |  |              |  |           |  |
|--------------|--|----------|--|--------------|--|-----------|--|
| System No.   |  | Location |  | Spec Section |  | Paragraph |  |
| Submitted By |  | Date     |  | Approved     |  | Date      |  |