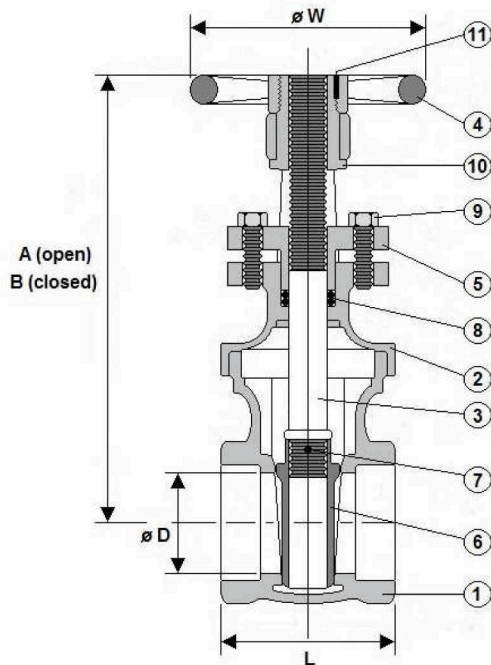


data sheet



BRONZE OS & Y VALVE

- Bronze Screwed Ends Outside Screw & Yolk
- UL Listed/ FM Approved @ 175 Lbs.
- WOG 100% Pressure Tested Rising Stem



MATERIAL LIST

NO.	DESCRIPTION	MATERIAL
1	Body	Bronze (ASTM B62 C83600)
2	Bonnet	Bronze (ASTM B62 C83600)
3	Stem	Brass Alloy (ASTM B271 C8600)
4	Handwheel	Cast Iron
5	Packing Gland	Bronze (ASTM B62 C83600)
6	Disc	Bronze (ASTM B62 C83600)
7	Disc Pin	Stainless Steel (Type 304)
8	Gland Packing	Graphite
9	Stud	Steel (A307 ZNFL)
10	York Bushing	Brass (B124 C37700)
11	Set Screw	Steel (A307 ZNFL)

PART #	SIZE	A	B	L	øD	øW
6520267-0100	1"	7.74"	6.42"	2.72"	1.00"	3.15"
6520267-0125	1-1/4"	8.69"	7.15"	2.95"	1.25"	3.15"
6520267-0150	1-1/2"	9.57"	7.76"	3.23"	1.50"	3.94"
6520267-0200	2"	10.87"	8.94"	3.57"	2.00"	4.73"

FOR MORE INFORMATION CALL ARGCO AT 800-854-1015
OR LOG ONTO ARGCO.COM