

STORZ CONNECTIONS

FUNCTION: Used as an auxiliary inlet connection to supplement the fire protection water supply.

Provides a range from 500 /1892 to 1000 /3785 GPM/lpm per inlet.

A Storz connection provides a means of rapid supply through large diameter hose.

FURNISHED: Hard coated aluminum with Storz on one end and female national pipe thread on the other.

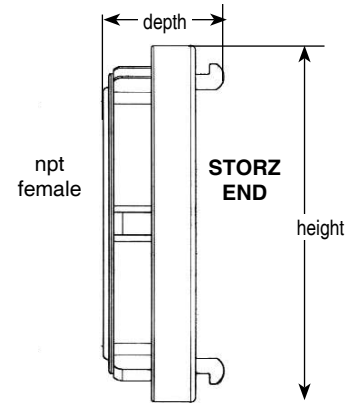
STRAIGHT RIGID STORZ



Lightweight aluminum alloy - hardcoated to reduce corrosion and abrasion

Pressure tested at 4 MPa

Available with screen



STRAIGHT RIGID THREAD WITH ROCKER LUG

6510252: 4" storz x 2.5" NPT (F) rocker lug

6510220: 4" storz x 4" NPT (F) rocker lug

6510233: 5" storz x 4" NPT (F) rocker lug

6510222: 5" storz x 6" NPT (F) rocker lug

| size | depth | height |
|---------|--------|----------|
| 4" x 4" | 2-1/4" | 6-1/8" |
| 5" x 4" | 3-1/8" | 7-11/16" |
| 5" x 6" | | |

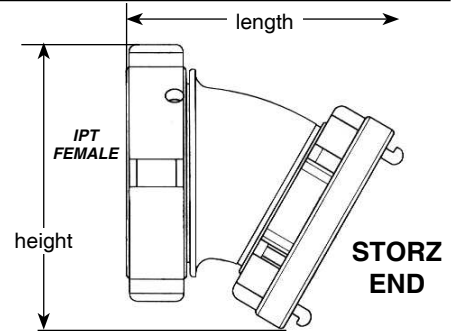
30° ELBOW STORZ

6510232: 4" storz x 4" swivel IPT (F) 30 degree elbow

6510233: 5" storz x 4" swivel IPT (F) 30 degree elbow

6510230: 5" storz x 6" swivel IPT (F) 30 degree elbow

| size | length | height |
|---------|---------|--------|
| 4" x 4" | 7-12" | 7-5/8" |
| 5" x 4" | 9-5/32" | 8-3/8" |
| 5" x 6" | 8-5/8" | 8" |



STORZ SCREEN

Stainless steel mesh screen

Prevents vandalism & plugging



6510220S: 4" storz x 4" NPT (F) with screen

6510221S: 5" storz x 4" NPT (F) with screen

6510232S: 4" storz x 4" 30° degree elbow with screen

6510233S: 5" storz x 4" 30° elbow with screen

6510229S: 6" storz x 5" 30° elbow with screen

STORZ CAP WITH CHAIN

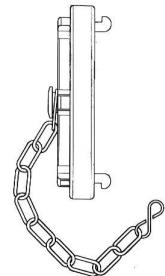
Lightweight aluminum alloy - hardcoated to reduce corrosion and abrasion

6510290: 4" storz cap with chain

6510291: 5" storz cap with chain

6510293: 6" storz cap with chain

| size | depth | height |
|------|--------|----------|
| 4" | 2-1/8" | 6-1/8" |
| 5" | 2-1/2" | 7-11/16" |



The information contained herein is produced in good faith and is believed to be reliable but is for guidance only. ARGCO and its agents cannot assume liability or responsibility for results obtained in the use of its product by persons whose methods are outside or beyond our control. It is the user's responsibility to determine the suitability of any of the products, methods of use, or preparation prior to use, mentioned in our literature. It is the user's responsibility to observe and adapt such precautions as may be advisable for the protection of personnel and property in the handling and use of any of our products.

FOR MORE INFORMATION CALL ARGCO AT 800-854-1015
OR LOG ONTO ARGCO.COM