

DRUM DRIP ASSEMBLY

Threaded Connections



ARGCO DRUM DRIP

(auxiliary drains, low-point drains, condensation collection assemblies)
meet and exceed NFPA 13 and NFPA 25 requirements addressing drainage in dry and pre-action sprinkler systems.

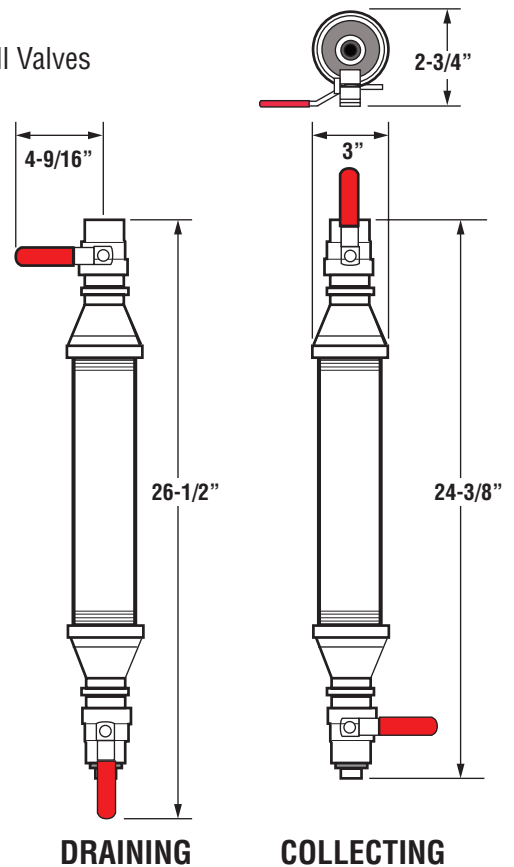
Comes fully assembled with UL Listed 1" brass quarter-turn full port 600 psi valves with chrome plated brass balls.

They are easily retro-fitted into existing systems or installed into new systems.

Wrapped in a bright red, vinyl label that increases visibility, provides a consistent appearance, and includes the required NFPA signage with operating instructions that adhere to NFPA guidelines.

Features:

- High Visibility
- Consistent Appearance
- Fully Assembled
- Galvanized or Black Steel Pipe
- High-Quality, Brass, Quarter Turn Ball Valves
- Easy Installation
- Easy Operation
- NFPA Signage



Item Number: 6520380T
Drum Drip with Threaded Connections - Galvanized Pipe

Item Number: 6520381T
Drum Drip with Threaded Connections - Black Pipe

System No.		Location		Spec Section		Paragraph	
Submitted By		Date		Approved		Date	