



Standard Clevis

For suspension of non-insulated stationary pipe lines

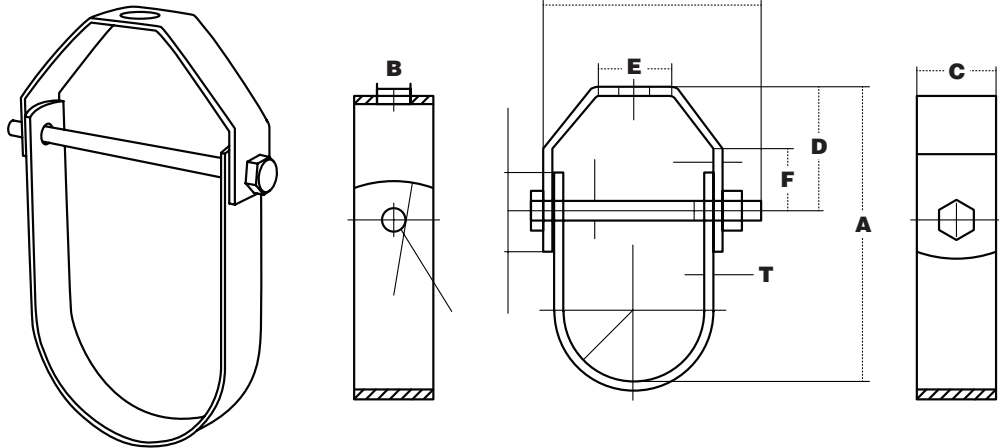
- Low carbon steel
- Finishes: Plain, Electro-Galvanized plated -- sound insulation available
- Conforms with Federal Specification WW-H-171 (Type 1),
Manufacturers Standardization Society (MSS) SP-58 and SP-69 (Type 1)



UL Listed for Plain Clevis



UL Listed and FM Approved for Galvanized Clevis



NOMINAL PIPE SIZE	PLAIN ITEM #	GALVANIZED ITEM #	ROD SIZE	A	B	C	D	E	F	T	CROSS BOLT	MAX. REC. LOAD LBS.
1/2"	2550201-1/2	2550200-1/2	3/8"		.43"	0.89"					1/4"	610
3/4"	2550201-3/4	2550200-3/4	3/8"	3.25"	.43"	0.89"	1.81"	0.94"	0.79"	0.098"	1/4"	610
1"	2550201-1	2550200-1	3/8"	3.89"	.43"	0.89"	2.22"	0.94"	0.79"	0.098"	1/4"	610
1-1/4"	2550201-1-1/4	2550200-1-1/4	3/8"	4.17"	.43"	0.89"	2.22"	0.94"	0.91"	0.098"	1/4"	610
1-1/2"	2550201-1-1/2	2550200-1-1/2	3/8"	4.21"	.43"	0.89"	1.58"	0.94"	0.91"	0.098"	1/4"	610
2"	2550201-2	2550200-2	3/8"	4.96"	.43"	0.89"	2.20"	0.98"	0.83"	0.118"	1/4"	610
2-1/2"	2550201-2-1/2	2550200-2-1/2	1/2"	6.14"	.55"	1.02"	2.71"	1.25"	0.59"	0.118"	3/8"	1130
3"	2550201-3	2550200-3	1/2"	6.65"	.55"	1.02"	2.08"	1.25"	0.59"	0.118"	3/8"	1130
4"	2550201-4	2550200-4	5/8"	7.87"	.67"	1.18"	2.85"	1.75"	0.79"	0.157"	3/8"	1130
5"		2550200-5		9.09"	.67"	1.26"	2.99"	1.97"	0.94"	0.177"	1/2"	1350
6"		2550200-6		10.24"	.79"	1.44"	3.03"	1.97"	0.83"	0.177"	1/2"	1350
8"		2550200-8		12.95"	.79"	1.65"	3.54"	2.75"	1.10"	0.177"	5/8"	1350

CROSS REFERENCE

- NIBCO TOLCO®:** 010-series
ERICO®: 4010-series
COOPER B-LINE®: B3100-series

System No.		Location		Spec Section		Paragraph	
Submitted By		Date		Approved		Date	