

Table of Contents

General Information	2-7	Cam and Groove Fittings (continued)	43-60
Crimp Fittings	3	Notched	
Cam and Groove General Information	4-7	Ferrules	43
Adapters	8-12	Couplers	44
Type A Vent-Lock™	8	Adapters	44
Type A Dixon® / Boss-Lock™	9	Notched NOS	
Type E Vent-Lock™	10	Ferrules	45
Type E Dixon® / Boss-Lock™	11	Couplers	45
Type F Dixon® / Boss-Lock™	12	Adapters	45
Plugs	13-14	Tank Car	
Couplers	15-29	Adapters	46
Type C EZLink™	15	Railroad Connections	46-47
Type C Vent-Lock™	16	Elbows	
Type C Vent-Lock™ Safety EZ Boss-Lock™	17	45°	48
Type C Dixon®	18	90°	48
Type C Boss-Lock™	19	Type A, D, E, C, F, B	49-50
Type C EZ Boss-Lock™	20	Reducing Couplings	
Type D EZLink™	21	Type A, D, E, C, F, B	50-51
Type D Vent-Lock™	22	Coupler x Adapter	52
Type D Dixon®	23	Boss-Lock™	53
Type D Boss-Lock™	24	EZ Boss-Lock™	53
Type D EZ Boss-Lock™	25	Lockable Dust Caps	53
Type B EZLink™	26	Dixon® Spool	
Type B Dixon®	27	Adapters	54
Type B Boss-Lock™	28	Couplers	54
Type B EZ Boss-Lock™	29	Boss-Lock™ Spool Couplers	54
Dust Caps	30-35	Adapters and Couplers x 150# Flange	55
Type DC EZLink™	30	Inline Sight Glass	55
Type DC Vent-Lock™	31	Specialty Items	56
Type DC Dixon®	32	TTMA Flange Adapters	56
Type H Vent-Lock™	33	TTMA Flange Extensions	57
Type H Boss-Lock™	34	Adapter/Coupler x Round Tank Truck Flange	57
Type H EZ Boss-Lock™	35	22½° Adapter/Coupler x Round Tank Truck Flange	57
Global Cam and Groove	36-40	Round Tank Truck Flange Gaskets	57
Adapters		Dixon® Vapor Recovery Couplers	58
Type A, E, F	36	Dixon® Butt Weld to Tube	59
Dust Plugs	37	Cam and Groove Welding	
Couplers		Adapters	59
Type B, C, D	37-38	Couplers	60
Dust Caps	38	Accessories	61-64
Handle Assemblies	38	Handle Assemblies	61-62
Spool Couplers		Pull Rings	63
Type DD, AA	39	Clips and Lanyards	63-64
Jump Size	39	Chains	64
Adapter x TTMA Flange	40	Gaskets	65-67
Polypropylene	41-42	Cam and Groove	65
Adapters	41	Fuel	65
Couplers	42	PTFE	66
Elbows	41, 42	Dimensions	67
Cam and Groove Fittings	43-60	Color Codes	67
Swaged	43		

Crimp Fittings

Only use the crimp style shanks with the crimp style sleeves and ferrules. Due to differences in dimensions and tolerances for safety reasons, do not interchange other manufacturer's products with Dixon® products.



Cam and Groove

Styles offered:

- Dixon® type C couplers
- EZ Boss-Lock™ type C couplers
- Dixon® type E adapters
- global type C couplers
- global type E adapters

Materials:

- 356T6 aluminum
- brass
- 316 stainless steel
- unplated ductile iron

Sizes:

- 1", 1¼", 1½", 2", 3", 4", 6"



Sleeves and Ferrules

Styles offered:

- sleeve (1", 1¼", 1½", 2", 3", 4", 6")
- ferrule (1", 1¼", 1½", 2", 3", 4", 6")

Materials:

- carbon steel
- 304 stainless steel
- aluminum (1", 1¼", 1½" and 2" sleeves)



- For a complete listing of products in the King Crimp™ system please visit dixonvalve.com.
- Contact Dixon® at 800.355.1991 for specific crimp recommendations.

EZLink™ Armless Cam and Groove



Features:

- automatic couplers push-to-connect providing a reliable connection
- coupler tabs cannot be pushed to disconnect when pressurized to 20 PSI or over
- low profile allows easy connection and disconnection in tight applications
- coupler push tabs can be locked with safety pins and/or zip tie

Specifications:

- maximum working pressure with King Crimp™ ferrules: **250 PSI** (2"), **150 PSI** (3" and 4")
- maximum working pressure with crimp sleeves: **110 PSI**
- maximum working pressure with band clamps: **100 PSI**
- gasket temperature range: **5°F to 180°F (-15°C to 82°C)**

Vent-Lock™ Safety Cam and Groove



Features:

- safety release cam and groove couplings permit the release of static pressure when disconnecting hose assemblies
- venting system protects operator from being sprayed with hazardous or non-hazardous fluids or solids

Specifications:

- rated to **250 PSI**, recommendation based on the use of mating Dixon™ L-style fittings at ambient temperature **70°F (21°C)** with standard Buna-N seal installed, for use at elevated temperature or other unusual operating conditions, consult Dixon™
 - 1", 1½" and 2" sizes have a maximum working pressure of **250 PSI**
 - 3" maximum working pressure **150 PSI** with King Crimp™ ferrules, crimp sleeves and bands at **125 PSI**
- does not interchange with standard cam & groove products use only with Vent-Lock™ L-style fittings



Dixon® Cam and Groove



Features:

- precision machined to rigid tolerances
- durable stainless steel cam arm pins will not rust or bind, providing greater strength and safety
- recess holds gasket firmly in place - ensures proper placement
- long shank design allows proper banding, thus eliminating the major cause of hose damage

Specifications:

- Refer to page 6, Specifications on Cam and Groove for pressure ratings.

Boss-Lock™ Cam and Groove

Features:

- Cast-in lugs allow safety clips to be attached once the lugs are passed through slots in the special cam lever arms providing a patented safety feature. The clips prevent the coupler from being unlocked until they are removed, providing a positive locking action.
- Boss-Lock™ investment stainless steel cam arms are guaranteed! Should you break a Boss-Lock™ investment stainless steel cam arm, return it to the nearest warehouse for a free replacement.
- The pull ring safety clip simplifies the locking action on Boss-Lock™ couplers. No more inserting clips or dangling lanyards, just a twist and it's locked.

Specifications:

- Refer to page 6, Specifications on Cam and Groove for pressure ratings.



EZ Boss-Lock™ Cam and Groove

Features:

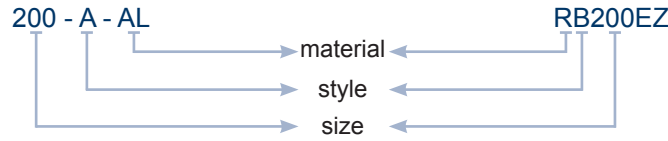
- no more fumbling with clamps, wire, clips or pins, just close the handles and the locking mechanism is engaged
- ergonomic and extremely easy to open, the release lever is under your thumb when you want to open the fitting
- resistant to accidental disconnection when being dragged; the release lever opens in the direction opposite to the cam arm, so movements that can open the release lever also can close the cam arm
- if the rotating lever is not flush with the handle, it is not properly engaged
- no sliding pins to jam or pop open
- rotating action helps keep the locking device free of debris
- EZ Boss-Lock™ investment stainless steel cam arms are guaranteed! Should you break a EZ Boss-Lock™ investment stainless steel cam arm, return it to the nearest warehouse for a free replacement.
- can be supplied with custom shanks, also available with swaged and PF shanks for hard to couple chemical hoses
- small OD makes it easy to insert into the hose tubes on tank trucks and to use in restricted spaces
- assemblies can be retrofitted onto undamaged stainless steel Boss-Lock™ allowing you to protect your investment in stainless steel Boss-Lock™ couplings while you upgrade

Specifications:

- Refer to page 6, Specifications on Cam and Groove for pressure ratings.



Ordering System



Size represents the coupler or adapter and hose or pipe end (i.e. 200 = 2"). If the coupling is a reducing size, the coupler or adapter is the first size (i.e. 4030-C is 4" coupler to 3" hose shank).

Operation of Cam and Groove

1. To make connection, simply slide the adapter into the coupler and with normal hand pressure, press the cam levers down.
2. Uncoupling is as quick and simple as coupling. Just lift the cam arms and remove the adapter.

Specifications on Dixon® Cam and Groove

Specifications:

- Dixon®, Boss-Lock™ and EZ Boss-Lock™ cam and groove couplers and adapters are produced to interchange with all product produced to Commercial Item Description A-A-59326D.
- No standard exists for the ½" and 8" fittings, and generally these sizes do not interchange with other manufacturers.
- Dust caps and dust plugs are **not** to be used in pressure applications for safety and environmental reasons.
- *Designed for use with liquids*, consult Dixon® for specific recommendations.

Pressure Ratings:

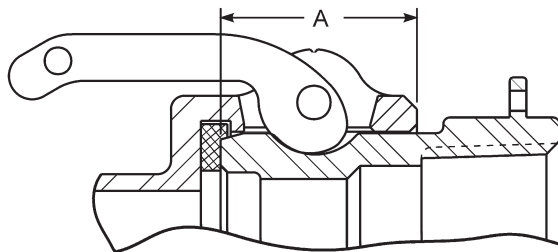


Recommendations based on the use of mating Dixon® fittings at ambient temperature **70°F (21°C)** with standard Buna-N seal installed. For use at elevated temperature or other unusual operating conditions, consult Dixon®. Dixon®, Boss-Lock™ and EZ Boss-Lock™ couplers and adapters maximum working pressure are as follows:

Size	½"	¾" thru 2"	2½"	3"	4"	5" and 6"	8"
PSI	150	250	150	125	100	75	50
PSI ¹	150	250	150	150	150	75	50

¹ working pressure with King Crimp™ ferrule system

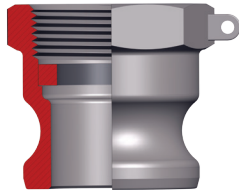
Cam and Groove Nominal Take-Up Lengths



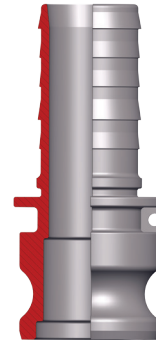
Coupling Size	Dimension A
½"	0.97"
¾"	0.97"
1"	1.20"
1¼"	1.44"
1½"	1.50"
2"	1.81"
2½"	1.82"
3"	1.78"
4"	1.84"
5"	2.00"
6"	2.13"
8"	2.06"
8"	3.22"

Cam and Groove Configurations

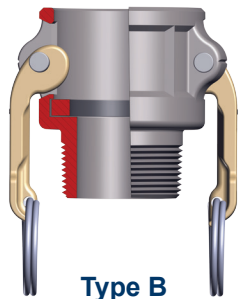
Configurations are representative of the Dixon® line of cam & groove.



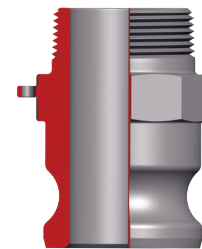
Type A
female NPT x male adapter



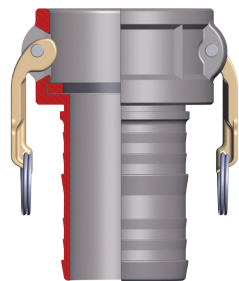
Type E
male adapter x hose shank



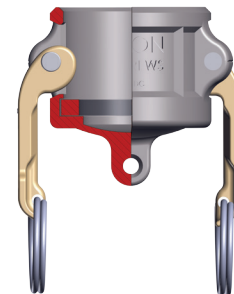
Type B
female coupler x male NPT



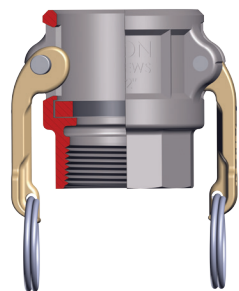
Type F
male NPT x male adapter



Type C
female coupler x hose shank



Type DC¹
dust cap



Type D
female coupler x female NPT



Type DP¹
dust plug

¹ Dust caps and dust plugs are **not** to be used in pressure applications for safety and environmental reasons.

Under no circumstances should cam & groove couplings be used for compressed air or steam service!




Vent-Lock™ Type A Adapters

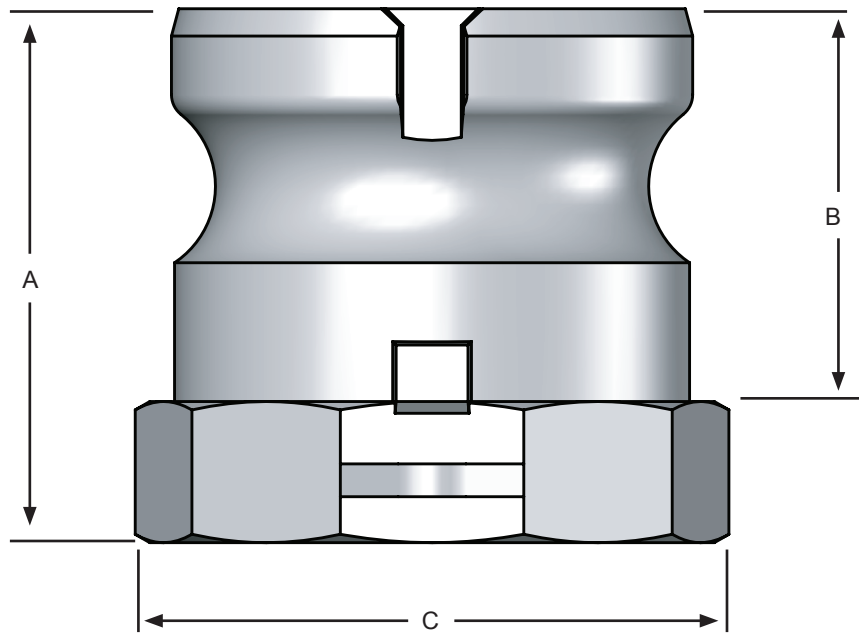
female NPT x male adapter



Features:

- safety release cam & groove couplings permit the release of static pressure when disconnecting hose assemblies
- venting system protects operator from being sprayed with hazardous or non-hazardous fluids or solids
- rated to **250 PSI**, recommendation based on the use of mating Dixon® L-style fittings at ambient temperature **70°F (21°C)** with standard Buna-N seal installed, for use at elevated temperature or other unusual operating conditions, consult Dixon®
 - 1", 1½" and 2" sizes have a maximum working pressure of **250 PSI**
 - 3" maximum working pressure **150 PSI** with King Crimp™ ferrules, crimp sleeves and bands at **125 PSI**
- does not interchange with standard cam & groove products use only with Vent-Lock™ 

Size	316 Stainless Steel Part #
1"	L100-A-SS
1½"	L150-A-SS
2"	L200-A-SS
3"	L300-A-SS




316 stainless steel dimensions

Size	1"	1½"	2"	3"
A overall length	1-29/32	2-9/32	2-17/32	2-29/32
B adapter length	1-5/16	1⅝	1⅝	2
C distance across flats	1½	2-9/32	2-11/16	3¼

Dixon® Type A Adapters


male adapter x female NPT

Feature:

- Pressure rating is based on the seal of the mating part. See ratings on page 6. 

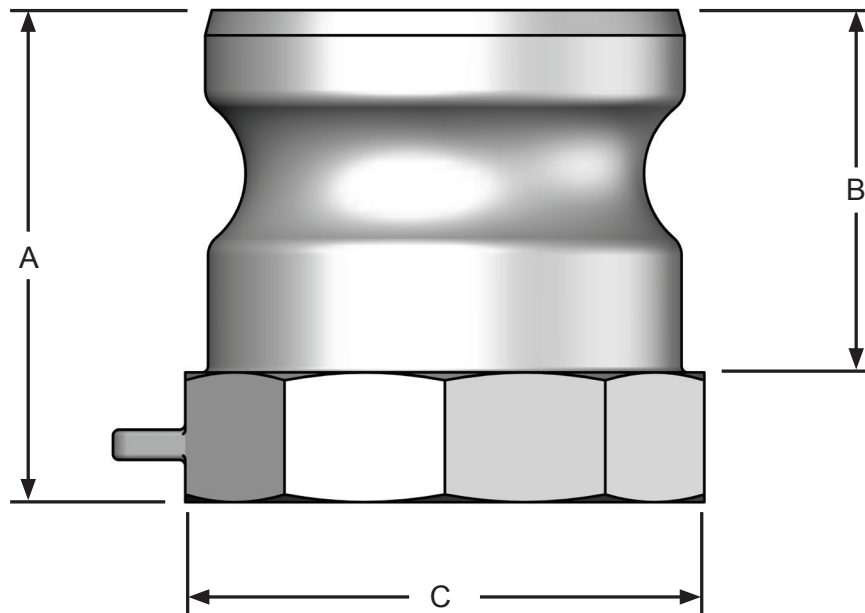
Size	356T6 Aluminum Part #	Aluminum Hard Coat Part #	Brass Part #	Unplated Mall. Iron Part #	Plated Mall. Iron Part #	316 Stain. Steel Part #
½"	50-A-AL ²	---	50-A-BR	---	---	50-A-SS
¾" x ½"	7550-A-AL ²	---	7550-A-BR	---	---	7550-A-SS
¾"	75-A-AL ²	---	75-A-BR	---	75-A-PM	75-A-SS
1"	100-A-AL ²	---	100-A-BR	---	100-A-PM	100-A-SS
1¼"	125-A-AL	---	125-A-BR	---	---	125-A-SS
1½"	150-A-AL	150-A-ALH	150-A-BR	150-A-MI	150-A-PM	150-A-SS
2"	200-A-AL	200-A-ALH	200-A-BR	200-A-MI	200-A-PM	200-A-SS
2½"	250-A-AL	---	250-A-BR	---	---	250-A-SS
3"	300-A-AL	300-A-ALH	300-A-BR	300-A-MI	300-A-PM	300-A-SS
4"	400-A-AL	400-A-ALH	400-A-BR	400-A-MI	400-A-PM	400-A-SS
5"	500-A-AL	---	500-A-BR	500-A-MI	---	500-A-SS
6"	600-A-AL	600-A-ALH	600-A-BR	---	600-A-PM ³	600-A-SS
8" DIX	800-A-AL ¹	---	---	---	---	---
8" BL	801-A-AL ¹	---	---	---	---	---



 ¹ Dixon and Boss-Lock cam and groove couplings do not interchange in the 8" and ½" sizes.

² made from 6061-T6 aluminum

³ ductile iron



356T6 aluminum, brass and iron dimensions

Size	½"	¾"x½"	¾"	1"	1¼"	1½"	2"	2½"	3"	4"	5"	6"	8" DIX	8" BL
A overall length	1-11/16	1-21/32	1⅝	1-31/32	2-7/32	2-3/16	2⅞	2-11/16	2¼	3⅝	3-17/32	3-7/16	4-13/16	4-7/16
B adapter length	1-1/16	1-1/16	1-1/16	1⅞	1-9/16	1⅝	1⅞	1-15/16	2	2-1/16	2-5/16	2¼	3-9/16	2¼
C distance across flats	1	1⅝	1⅞	1½	2	2-9/32	2¼	3-7/32	3⅞	5	5-15/16	7-11/16	10⅝	10⅝

316 stainless steel dimensions


Size	½"	¾"x½"	¾"	1"	1¼"	1½"	2"	2½"	3"	4"	5"	6"	8" DIX	8" BL
A overall length	1-11/16	1-17/32	1½	1-31/32	2⅞	2-3/16	2-19/32	3-11/32	2-29/32	3-5/32	3¼	3¼	---	---
B adapter length	1-1/16	1-1/16	1	1-5/16	1-9/16	1⅝	1⅞	1-15/16	2	2-1/16	2-5/16	2¼	---	---
C distance across flats	1	1-5/16	1-5/16	1½	1-15/16	2-9/32	2-11/16	3⅞	3¼	5	6-17/32	7¼	---	---

Vent-Lock™ Type E Adapters

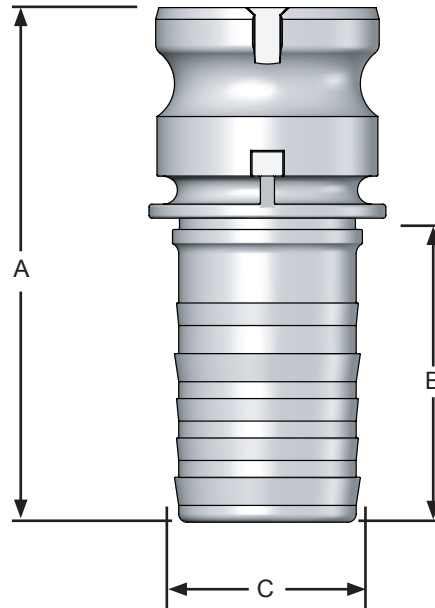
male adapter x hose shank



Features:

- safety release cam & groove couplings permit the release of static pressure when disconnecting hose assemblies
- venting system protects operator from being sprayed with hazardous or non-hazardous fluids or solids
- rated to **250 PSI**, recommendation based on the use of mating Dixon® L-style fittings at ambient temperature **70°F (21°C)** with standard Buna-N seal installed, for use at elevated temperature or other unusual operating conditions, consult Dixon®
 - 1", 1½" and 2" sizes have a maximum working pressure of **250 PSI**
 - 3" maximum working pressure **150 PSI** with King Crimp™ ferrules, crimp sleeves and bands at **125 PSI**
- does not interchange with standard cam & groove products use only with Vent-Lock™ 

Size	316 Stainless Steel Part #
1"	L100-E-SS
1½"	L150-E-SS
2"	L200-E-SS
3"	L300-E-SS




316 stainless steel dimensions

Size	1"	1½"	2"	3"
A overall length	4-11/16	4-31/32	5-23/32	6¼
B hose shank length	2-15/16	2-29/32	3¾	4-3/16
C hose shank OD	1-1/16	1-9/16	2-1/16	3-3/32

Dixon® Type E Adapters


male adapter x hose barb

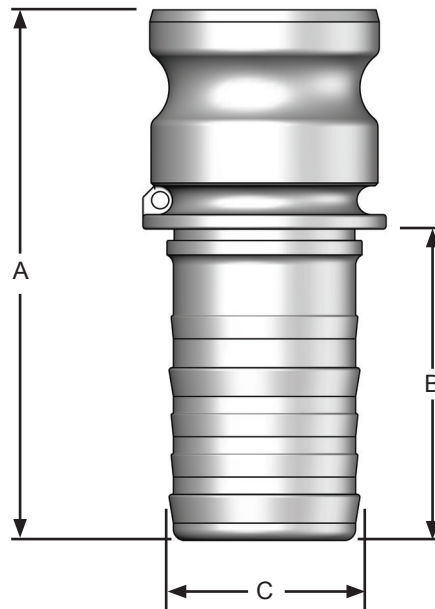
Feature:

- Pressure rating is based on the seal of the mating part. See ratings on page 6. 

Size	356T6 Aluminum Part #	Aluminum Hard Coat Part #	Brass Part #	Unplated Mall. Iron Part #	Plated Mall. Iron Part #	316 Stain. Steel Part #
½"	50-E-AL	---	50-E-BR	---	---	50-E-SS
¾" x ½"	7550-E-AL	---	---	---	---	7550-E-SS
¾"	75-E-AL	---	75-E-BR	---	75-E-PM	75-E-SS
1"	100-E-AL	---	100-E-BR	---	100-E-PM	100-E-SS
1¼"	125-E-AL	---	125-E-BR	---	125-E-PM	125-E-SS
1½"	150-E-AL	150-E-ALH	150-E-BR	150-E-MI	150-E-PM	150-E-SS
2"	200-E-AL	200-E-ALH	200-E-BR	200-E-MI ²	200-E-PM	200-E-SS
2½"	250-E-AL	---	250-E-BR	---	---	250-E-SS
3"	300-E-AL	300-E-ALH	300-E-BR	300-E-MI ^{2,3}	300-E-PM ²	300-E-SS
4"	400-E-AL	400-E-ALH	400-E-BR	400-E-MI ^{2,3}	400-E-PM ^{2,3}	400-E-SS
5"	500-E-AL	---	---	---	---	500-E-SS
6"	600-E-AL	600-E-ALH	600-E-BR	600-E-MI ^{2,3}	600-E-PM ²	600-E-SS
8" DIX	800-E-AL ¹	---	---	---	---	---
8" BL	801-E-AL ¹	---	---	---	---	---



- ¹ Dixon® and Boss-Lock™ cam & groove couplings do not interchange in the 8" and ½ sizes 
- ² suitable for King Crimp™ sleeves and ferrules
- ³ ductile iron



356T6 aluminum, brass and iron dimensions

Size	½"	¾" x ½"	¾"	1"	1¼"	1½"	2"	2½"	3"	4"	5"	6"	8" DIX	8" BL
A overall length	2½	2¾	3-15/16	4⅝	4⅞	5-1/16	6-1/32	6¼	6-25/32	7-3/16	7-5/32	9-5/32	11-13/16	11-7/16
B hose shank length	1-7/16	1-5/16	2⅝	2-15/16	2-13/16	2-29/32	3⅝	3¾	4-7/32	4¼	4¼	6-1/32	8	8
C hose shank OD	9/16	19/32	27/32	1-1/16	1-11/32	1-9/16	2-1/16	2-19/32	3-3/32	4-3/32	5-3/32	6-1/16	8-1/16	8-3/32

316 stainless steel dimensions

Size	½"	¾" x ½"	¾"	1"	1¼"	1½"	2"	2½"	3"	4"	5"	6"	8" DIX	8" BL
A overall length	2-7/16	2-25/32	3-13/32	4-11/16	4⅞	4-31/32	5¼	6¼	6⅞	7-3/32	7-5/32	9-7/16	---	---
B hose shank length	1-7/16	1-5/16	2⅝	2-15/16	2⅞	2-29/32	3⅝	3¾	4-3/16	4¼	4¼	6-3/32	---	---
C hose shank OD	9/16	19/32	27/32	1-1/16	1-11/32	1-9/16	2-1/16	2⅝	3-3/32	4-3/32	5-3/32	6-1/16	---	---

Dixon® Type F Adapters

male adapter x male NPT



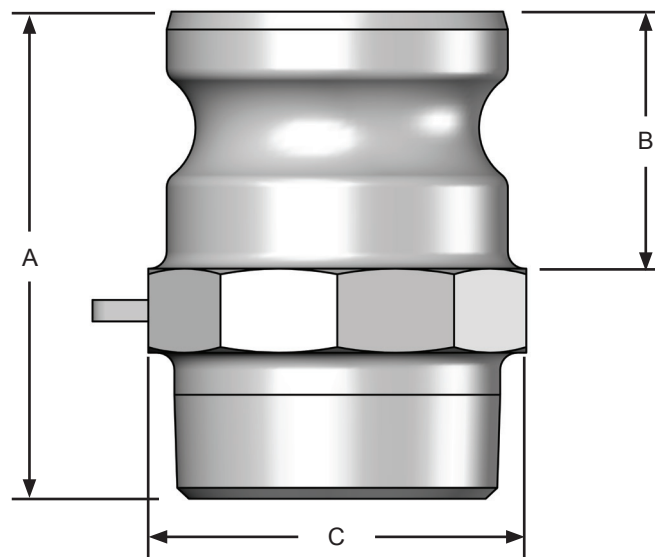
• Pressure rating is based on the seal of the mating part. See ratings on page 6.



Size	356T6 Aluminum Part #	Aluminum Hard Coat Part #	Brass Part #	Unplated Mall. Iron Part #	Plated Mall. Iron Part #	316 Stain. Steel Part #
1/2"	50-F-AL	---	50-F-BR	---	---	50-F-SS
3/4" x 1/2"	7550-F-AL	---	7550-F-BR	---	---	7550-F-SS
3/4"	75-F-AL	---	75-F-BR	---	75-F-PM	75-F-SS
1"	100-F-AL	---	100-F-BR	---	100-F-PM	100-F-SS
1 1/4"	125-F-AL	---	125-F-BR	---	---	125-F-SS
1 1/2"	150-F-AL	150-F-ALH	150-F-BR	150-F-MI	150-F-PM	150-F-SS
2"	200-F-AL	200-F-ALH	200-F-BR	200-F-MI	200-F-PM	200-F-SS
2 1/2"	250-F-AL	---	250-F-BR	---	---	250-F-SS
3"	300-F-AL	300-F-ALH	300-F-BR	300-F-MI	300-F-PM	300-F-SS
4"	400-F-AL	400-F-ALH	400-F-BR	400-F-MI	400-F-PM	400-F-SS
5"	500-F-AL	---	---	---	600-F-PM	600-F-SS
6"	600-F-AL	600-F-ALH	600-F-BR	---	---	---
8" DIX	800-F-AL ¹	---	---	---	---	---
8" BL	801-F-AL ¹	---	---	---	---	---



¹ Dixon® and Boss-Lock™ cam and groove couplings do not interchange in the 8" and 1/2" sizes.



356T6 aluminum, brass and iron dimensions


Size	1/2"	3/4"x1/2"	3/4"	1"	1 1/4"	1 1/2"	2"	2 1/2"	3"	4"	5"	6"	8" DIX	8" BL
A overall length	2 1/8	2 1/2	2 1/2	2-15/16	2-15/16	3-5/32	3-17/32	4 5/8	4 1/8	4-23/32	4 1/2	5-17/32	6 5/8	6 5/8
B adapter length	1-1/16	1-1/16	1-1/16	1-5/16	1-9/16	1 5/8	1 7/8	1-15/16	2	2-1/16	2-5/16	2 1/4	3-9/16	3-1/16
C distance across flats	1	1-5/16	1 3/8	1 1/2	1 5/8	2 1/4	2-11/16	3 1/4	3 3/4	4-15/16	6 1/2	8-1/32	10-23/32	10-23/32

316 stainless steel dimensions

Size	1/2"	3/4"x1/2"	3/4"	1"	1 1/4"	1 1/2"	2"	2 1/2"	3"	4"	5"	6"	8" DIX	8" BL
A overall length	2 1/8	2-1/16	2 1/8	2-9/16	3-7/32	3 3/8	3-17/32	4-5/16	4-15/32	4-15/16	---	4-15/16	---	---
B adapter length	1-1/16	1-1/16	1-1/16	1-5/16	1-9/16	1 5/8	1 7/8	1-15/16	2	2-1/16	---	2 1/4	---	---
C distance across flats	1	1-5/16	1-5/16	1 1/2	1-15/16	2 1/4	2 3/4	3 1/4	3 3/4	5	---	7 1/4	---	---

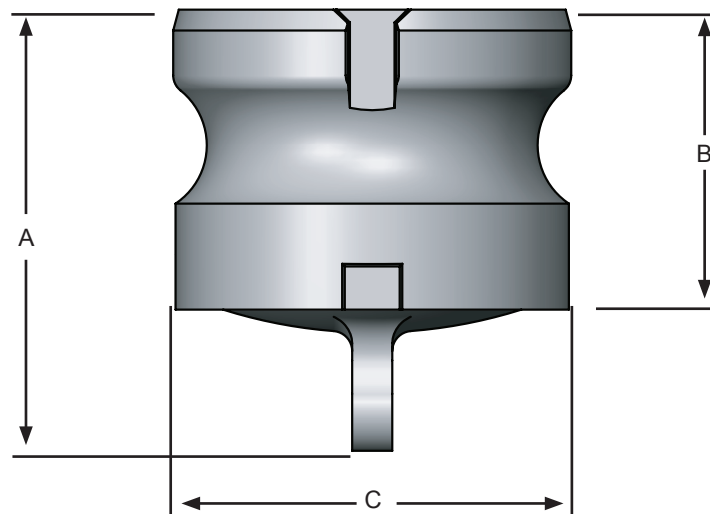
Vent-Lock™ Safety Type DP Dust Plugs

Features:

- safety release cam & groove couplings permit the release of static pressure when disconnecting hose assemblies
- venting system protects operator from being sprayed with hazardous or non-hazardous fluids or solids
- rated to **250 PSI**, recommendation based on the use of mating Dixon® L-style fittings at ambient temperature **70°F (21°C)** with standard Buna-N seal installed, for use at elevated temperature or other unusual operating conditions, consult Dixon®
 - 1", 1½" and 2" sizes have a maximum working pressure of **250 PSI**
 - 3" maximum working pressure **150 PSI** with King Crimp™ ferrules, crimp sleeves and bands at **125 PSI**
- does not interchange with standard cam & groove products use only with Vent-Lock™  L-style fittings



Size	316 Stainless Steel Part #
1"	L100-DP-SS
1½"	L150-DP-SS
2"	L200-DP-SS
3"	L300-DP-SS



316 stainless steel dimensions

	Size	1"	1½"	2"	3"
A	overall length	1-15/16	2½	2¾	2⅞
B	adapter length	1-5/16	1⅞	1⅞	2
C	outside OD	1-7/16	2-3/32	2-15/32	3-19/32

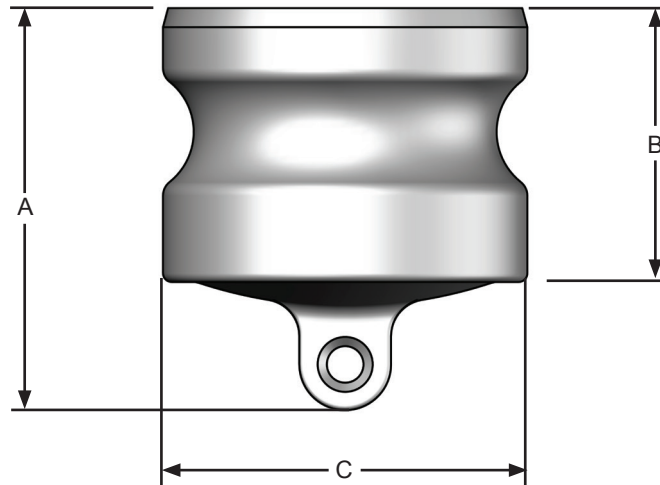
Dixon® Type DP Plugs



Size	356T6 Aluminum Part #	Aluminum Hard Coat Part #	Brass Part #	Unplated Mall. Iron Part #	Plated Mall. Iron Part #	316 Stain. Steel Part #
½"	---	---	50-DP-BR	---	---	50-DP-SS
¾"	75-DP-AL	---	75-DP-BR	---	---	75-DP-SS
1"	100-DP-AL	---	100-DP-BR	---	100-DP-PM	100-DP-SS
1¼"	125-DP-AL	---	125-DP-BR	---	125-DP-PM	125-DP-SS
1½"	150-DP-AL	150-DP-ALH	150-DP-BR	150-DP-MI	150-DP-PM	150-DP-SS
2"	200-DP-AL	200-DP-ALH	200-DP-BR	200-DP-MI	200-DP-PM	200-DP-SS
2½"	250-DP-AL	---	---	---	250-DP-PM	250-DP-SS
3"	300-DP-AL	300-DP-ALH	300-DP-BR	300-DP-MI	300-DP-PM	300-DP-SS
4"	400-DP-AL	400-DP-ALH	400-DP-BR	400-DP-MI	400-DP-PM	400-DP-SS
5"	500-DP-AL	---	---	---	---	---
6"	600-DP-AL	600-DP-ALH	600-DP-BR	---	---	600-DP-SS
8" DIX	800-DP-AL ¹	---	---	---	---	---
8" BL	801-DP-AL ¹	---	---	---	---	---

¹ Dixon® and Boss-Lock™ cam and groove couplings *do not interchange in the 8" and ½" sizes.*

Dust caps and dust plugs are not to be used in pressure applications for safety and environmental reasons.



356T6 aluminum, brass and iron dimensions

Size	½"	¾"	1"	1¼"	1½"	2"	2½"	3"	4"	5"	6"	8" DIX	8" BL
A overall length	1-7/16	1¾	1-29/32	2¾	2-13/32	2-13/16	2-13/16	2-13/16	3-1/16	3¾	3-1/16	5-3/16	4-11/16
B adapter length	15/16	1-3/32	1-5/16	1-9/16	1¾	1¾	1-15/16	2	2-1/16	2-11/32	2¼	3-9/16	3-1/16
C outside OD	15/16	1¼	1-7/16	1-25/32	2-3/32	2-15/32	2-31/32	3-19/32	4-23/32	5-23/32	6-15/16	9-3/32	8-15/16

316 stainless steel dimensions

Size	½"	¾"	1"	1¼"	1½"	2"	2½"	3"	4"	5"	6"	8" DIX	8" BL
A overall length	1-7/16	1-11/16	1-15/16	2¼	2½	2¾	2-7/8	2-27/32	3⅜	---	3½	---	---
B adapter length	15/16	15/16	1-15/16	1-9/16	1¾	1¾	1-15/16	2	2-1/16	---	2¼	---	---
C outside OD	15/16	1¼	1-7/16	1-25/32	2-3/32	2-15/32	2-31/32	3-19/32	4-23/32	---	6-15/16	---	---

EZLink™ Armless Type C Couplers

Applications:

- transfer and/or unloading of fuels (gasoline or diesel) from tank truck to storage tanks
- transfer of water and solutions compatible with aluminum and Buna-N rubber

Materials:

- couplings and dust caps: A356 aluminum
- coupler tabs and springs: 316 stainless steel
- gasket: Buna-N

Features:

- automatic couplers push-to-connect providing a reliable connection
- low profile allows easy connection and disconnection in tight applications
- coupler push tabs can be locked with safety pins and/or zip tie
- compatible with standard cam and groove adapters

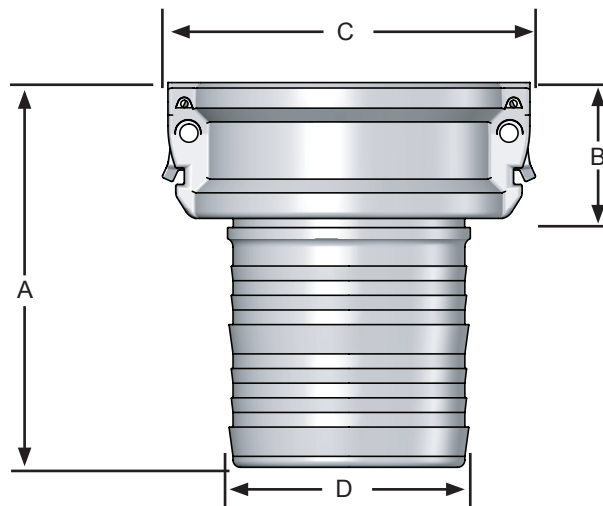
Specifications:

- maximum working pressure with King Crimp™ ferrules: **250 PSI** (2"), **150 PSI** (3" and 4")
- maximum working pressure with crimp sleeves: **110 PSI**
- maximum working pressure with band clamps: **100 PSI**
- gasket temperature range: **5°F to 180°F (-15°C to 82°C)**

Only use EZLink™ gaskets for this coupling system. Traditional cam & groove gaskets, or other types of seals are not compatible and will fail.



Size	A356 Aluminum	316 Stainless Steel
	Part #	Part #
2"	EZL200-C-AL	EZL200-C-SS
3"	EZL300-C-AL	EZL300-C-SS
4"	EZL400-C-AL	---



A356 aluminum dimensions

Size		2"	3"	4"
A	overall length	5-9/16	6½	6-9/16
B	coupler length	2-3/16	2-5/16	2-5/16
C	distance across EARS	3-21/32	5-3/32	6-3/16
D	hose shank OD	2-1/16	3-3/32	4-3/32

316 stainless steel dimensions


Size		2"
A	overall length	5-9/16
B	coupler length	2-3/16
C	distance across EARS	3-21/32
D	hose shank OD	2-1/16

Vent-Lock™ Type C Couplers

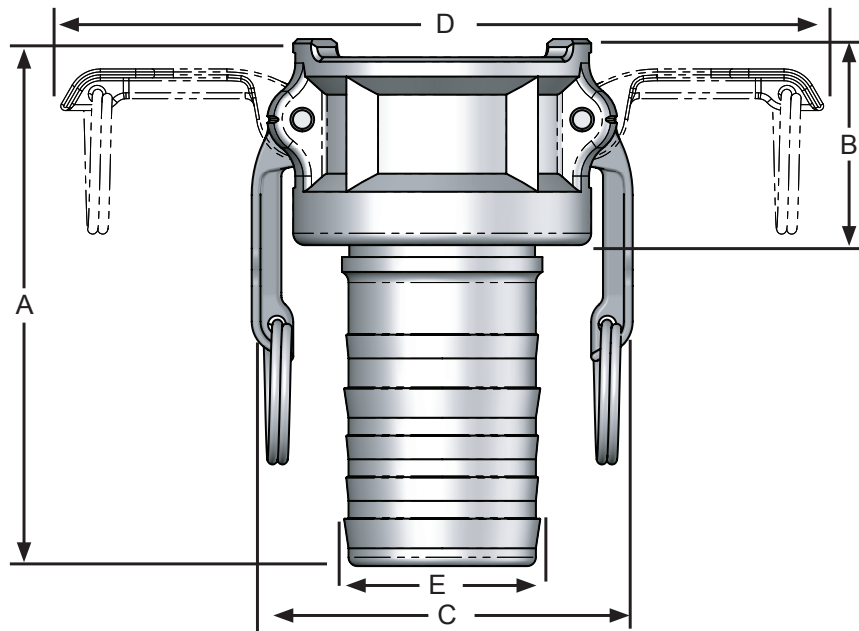
female coupler x hose shank



Features:

- safety release cam & groove couplings permit the release of static pressure when disconnecting hose assemblies
- venting system protects operator from being sprayed with hazardous or non-hazardous fluids or solids
- rated to **250 PSI**, recommendation based on the use of mating Dixon® L-style fittings at ambient temperature **70°F (21°C)** with standard Buna-N seal installed, for use at elevated temperature or other unusual operating conditions, consult Dixon®
 - 1", 1½" and 2" sizes have a maximum working pressure of **250 PSI**
 - 3" maximum working pressure **150 PSI** with King Crimp™ ferrules, crimp sleeves and bands at **125 PSI**
- does not interchange with standard cam & groove products use only with Vent-Lock™ 

Size	316 Stainless Steel Part #
1"	L100-C-SS
1½"	L150-C-SS
2"	L200-C-SS




316 stainless steel dimensions

Size	1"	1½"	2"
A overall length	4-17/32	4-13/16	5-17/32
B coupler length	1-19/32	1-29/32	2-5/32
C distance across closed cam arms	2-7/16	3-9/16	3-15/16
D distance across open cam arms	5-3/16	7-7/16	7-13/16
E hose shank OD	1-1/16	1-9/16	2-1/16

Vent-Lock™ Safety EZ Boss-Lock™ Type C Couplers

female coupler x hose shank

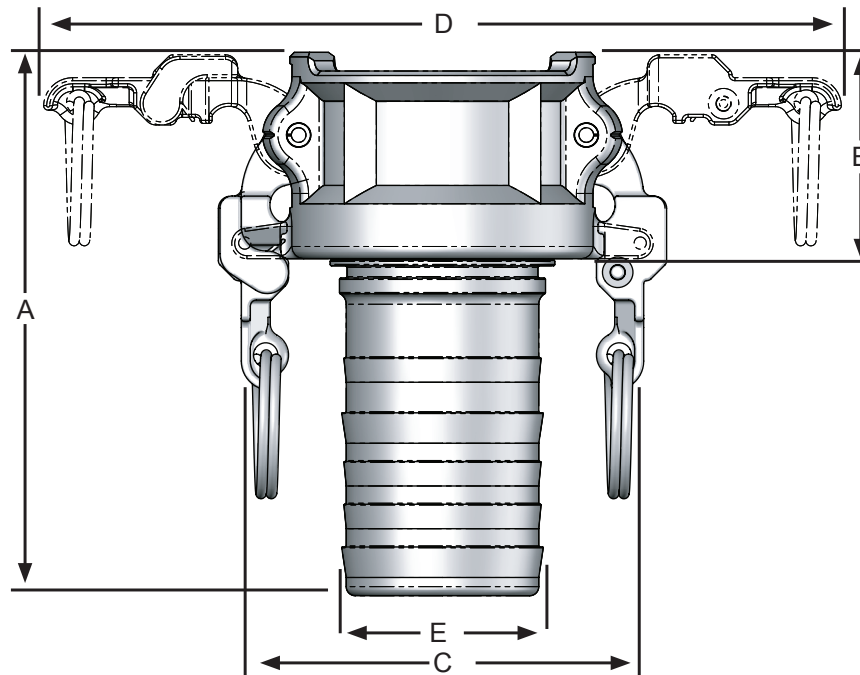
Features:

- safety release cam & groove couplings permit the release of static pressure when disconnecting hose assemblies
- venting system protects operator from being sprayed with hazardous or non-hazardous fluids or solids
- rated to **250 PSI**, recommendation based on the use of mating Dixon® L-style fittings at ambient temperature **70°F (21°C)** with standard Buna-N seal installed, for use at elevated temperature or other unusual operating conditions, consult Dixon®
 - 1", 1½" and 2" sizes have a maximum working pressure of **250 PSI**
 - 3" maximum working pressure **150 PSI** with King Crimp™ ferrules, crimp sleeves and bands at **125 PSI**
- does not interchange with standard cam & groove products use only with Vent-Lock™  L-style fittings



Size	316 Stainless Steel Part #
1"	RLC100EZ
1½"	RLC150EZ
2"	RLC200EZ¹
3"	RLC300EZ¹

¹ has drop shank



316 stainless steel dimensions

Size	1"	1½"	2"	3"
A overall length	4-15/32	5	5-9/16	6-9/16
B coupler length	1-17/32	2-3/32	2½	2¼
C distance across closed cam arms	3-7/32	4-7/32	4-19/32	5-27/32
D distance across open cam arms	6-11/32	7-25/32	8-5/32	9-29/32
E hose shank OD	1-1/16	1-9/16	2-1/16	3-3/32

Dixon® Type C Couplers

female coupler x hose shank

Features:

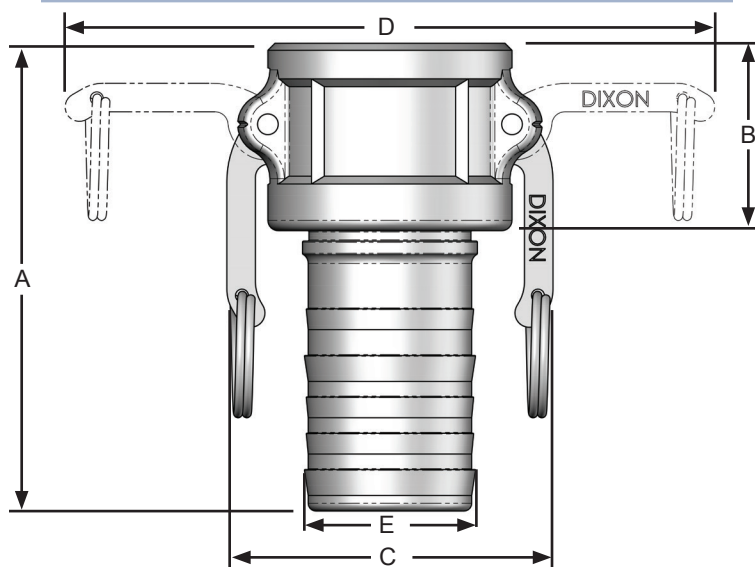
- Finger rings are not supplied on 1/2" - 1" Dixon® couplings.
- 1/2" Dixon® coupler has only one cam arm.
- Couplers are supplied standard with a Buna-N gasket, other types available on pages 65-67.



Size	356T6 Aluminum Part #	Aluminum Hard Coat Part #	Brass Part #	Unplated Malleable Iron Part #	316 Stainless Steel Part #
1/2"	50-C-AL	---	50-C-BR	---	50-C-SS
3/4"	75-C-AL	---	75-C-BR	---	75-C-SS
1"	100-C-AL	---	100-C-BR	---	100-C-SS
1 1/4"	125-C-AL	---	125-C-BR	---	125-C-SS
1 1/2"	150-C-AL	150-C-ALH	150-C-BR	150-C-MI	150-C-SS
2"	200-C-AL	200-C-ALH	200-C-BR	200-C-MI ²	200-C-SS
2 1/2"	250-C-AL	---	250-C-BR	---	250-C-SS
3"	300-C-AL	300-C-ALH	300-C-BR	300-C-MI ^{2,3}	300-C-SS
4"	400-C-AL	400-C-ALH	400-C-BR	400-C-MI ^{2,3}	400-C-SS
5"	500-C-AL	---	---	---	500-C-SS
6"	600-C-AL	600-C-ALH	600-C-BR	600-C-MI ^{2,3}	600-C-SS
8"	800-C-AL ¹	---	---	---	---



¹ Dixon® and Boss-Lock™ cam & groove couplings do not interchange in the 8" and 1/2" sizes. The 8" Dixon® design has 4 cam arms, Boss-Lock™ design has 2 cam arms.
² suitable for use with King Crimp™ sleeves and ferrules
³ ductile iron



356T6 aluminum, brass and iron dimensions

Size	1/2"	3/4"	1"	1 1/4"	1 1/2"	2"	2 1/2"	3"	4"	5"	6"	8" BL
A overall length	2-21/32	3 3/4	4 1/2	4 3/4	4 7/8	5-19/32	6	6-17/32	6-9/16	6-9/16	8-23/32	11-13/16
B coupler length	1-7/32	1 1/4	1-9/16	1-15/16	1-31/32	2-7/32	2 1/4	2-5/16	2-5/16	2-5/16	2-11/16	3-13/16
C distance across closed cam arms	1-17/32	2 1/8	2-7/16	3 1/4	3-9/16	3-15/16	4-7/16	5-15/32	6-9/16	7-9/16	10-3/32	12-1/32
D distance across open cam arms	2-11/16	4 3/8	5-3/16	7-5/32	7-7/16	7-13/16	8-11/32	10-3/32	11-3/16	12-3/16	16 1/4	19-31/32
E hose shank OD	19/32	27/32	1-1/16	1-11/32	1-9/16	2-1/16	2 5/8	3-3/32	4-3/32	5-3/32	6-1/16	8-3/32

316 stainless steel dimensions

Size	1/2"	3/4"	1"	1 1/4"	1 1/2"	2"	2 1/2"	3"	4"	5"	6"	8"
A overall length	3-7/32	3-11/16	4 1/2	4 5/8	4-13/16	5-19/32	6-1/16	6-7/16	6-17/32	7 3/8	8-11/16	---
B coupler length	1-7/32	1 1/4	1-9/16	1-29/32	1-29/32	2-7/32	2 1/4	2 1/4	2-9/32	2-7/16	2-19/32	---
C distance across closed cam arms	1-17/32	2 1/8	2-7/16	3 1/4	3-9/16	3-15/16	4-7/16	5-15/32	6-9/16	7-9/16	10-3/32	---
D distance across open cam arms	2 5/8	4 3/8	5-3/16	7-5/32	7-7/16	7-13/16	8-11/32	9-15/16	11-1/32	12-3/16	16 1/4	---
E hose shank OD	19/32	27/32	1-1/16	1-11/32	1-9/16	2-1/16	2 5/8	3-3/32	4-3/32	5-3/32	6-1/16	---

Boss-Lock™ Type C Couplers

female coupler x hose shank

Features:

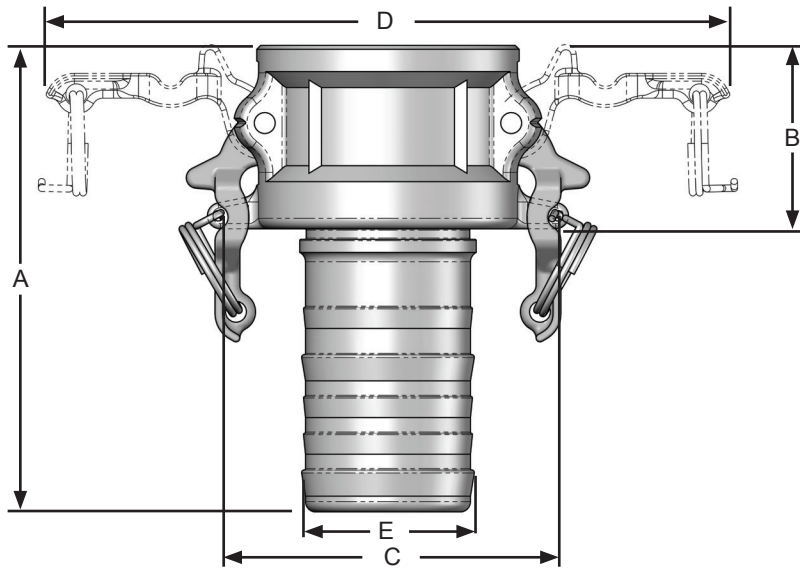
- All Boss-Lock™ couplers are supplied with safety clips.
- Couplers are supplied standard with a Buna-N gasket. Other gasket types are available on pages 65-67.

Size	356T6 Aluminum Part #	Brass Part #	Plated Malleable Iron Part #	316 Stainless Steel Part #
3/4" x 1/2"	---	---	---	RC050BL
3/4"	AC075	BC075	IC075	RC075BL
1"	AC100	BC100	IC100	RC100BL
1 1/4"	AC125	BC125	---	RC125BL
1 1/2"	AC150	BC150	IC150	RC150BLNO
2"	AC200	BC200	IC200	RC200BLNO
2 1/2"	AC250	BC250	---	---
3"	AC300	BC300	IC300	RC300BL
4"	AC400	BC400	IC400 ²	RC400BLNO
6"	AC600	BC600	IC600 ²	---
8"	AC800 ¹	---	---	---



¹ Dixon® and Boss-Lock™ cam and groove couplings *do not interchange in the 8" and 1/2"* sizes. The 8" Dixon® design has 4 cam arms, Boss-Lock™ design has 2 cam arms.

² ductile iron



356T6 aluminum, brass and iron dimensions

Size	3/4" x 1/2"	3/4"	1"	1 1/4"	1 1/2"	2"	2 1/2"	3"	4"	6"	8"
A overall length	---	4 3/8	4 7/8	5-7/16	4-29/32	5-19/32	6-1/16	6-3/16	6 1/2	8 3/8	11-13/16
B coupler length	---	1-13/32	1-17/32	1-29/32	1-31/32	2-7/32	2 1/4	2 1/4	2 1/4	2 5/8	2-13/16
C distance across closed cam arms	---	2-19/32	2-29/32	3 3/8	3-29/32	4-5/16	4-13/16	5-9/16	6-11/16	9 3/8	11 1/8
D distance across open cam arms	---	5-13/32	5-9/16	7-15/32	7-25/32	8-5/32	8-21/32	9-29/32	11	16-5/32	18-5/32
E hose shank OD	---	27/32	1-1/16	1-11/32	1-9/16	2-1/16	2-19/32	3-3/32	4-3/32	6-3/32	8-1/16

316 stainless steel dimensions

Size	3/4" x 1/2"	3/4"	1"	1 1/4"	1 1/2"	2"	2 1/2"	3"	4"	6"	8"
A overall length	3-3/32	3 3/8	4 1/2	4-31/32	5 1/2	5-5/16	---	6-9/32	7	---	---
B coupler length	1-5/16	1-9/32	1-9/16	2-1/32	1-29/32	2-3/16	---	2-9/32	2-5/16	---	---
C distance across closed cam arms	2-25/32	2-25/32	2-29/32	3 3/8	3-29/32	4-5/16	---	5-9/16	6-11/16	---	---
D distance across open cam arms	5-13/32	5-13/32	5-9/16	7-15/32	7-25/32	8-5/32	---	9-29/32	11	---	---
E hose shank OD	19/32	27/32	1-1/16	1-5/16	1-19/32	2-3/32	---	3-3/32	4-3/32	---	---

EZ Boss-Lock™ Type C Couplers

female coupler x hose shank

Feature:

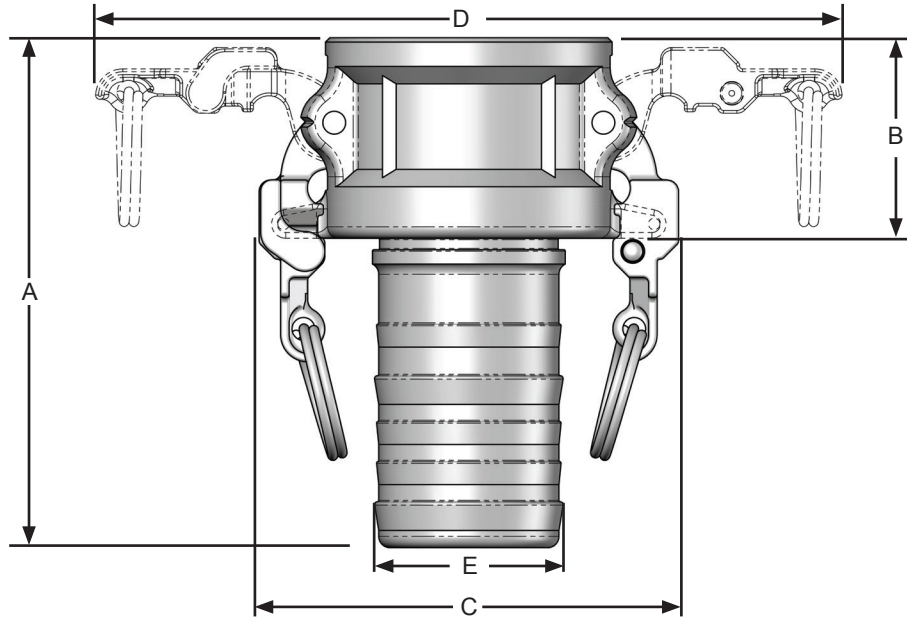
- Couplers are supplied standard with a Buna-N gasket. Other gasket types are available on pages 65-67.



Size	356T6 Aluminum Part #	Brass Part #	316 Stainless Steel Part #
3/4" x 1/2"	---	---	RC050EZ
3/4"	AC075EZ	BC075EZ	RC075EZ
1"	AC100EZ	BC100EZ	RC100EZCR
1 1/4"	---	BC125EZ	RC125EZCR
1 1/2"	AC150EZ	BC150EZ	RC150EZNO
2"	AC200EZ	BC200EZ	RC200EZNO
2 1/2"	AC250EZ	---	---
3"	AC300EZ	BC300EZ	RC300EZCR
4"	AC400EZ	BC400EZ	RC400EZCR
6"	AC600EZ	---	RC600EZCR
8"	AC800EZ ¹	---	---



¹ Dixon® and Boss-Lock™ cam and groove couplings *do not interchange in the 8" and 1/2" sizes*. The 8" Dixon® design has 4 cam arms, Boss-Lock™ design has 2 cam arms. *Under no circumstances should the EZ Boss-Lock™ cam arms be used on any fitting not specifically designed for their use.*



356T6 aluminum, brass and iron dimensions

Size	3/4" x 1/2"	3/4"	1"	1 1/4"	1 1/2"	2"	2 1/2"	3"	4"	6"	8"
A overall length	---	4 ³ / ₈	4 ⁷ / ₈	5-7/16	4-29/32	5-19/32	6-1/16	6-3/16	6 ¹ / ₂	8 ³ / ₈	11-13/16
B coupler length	---	1-13/32	1-17/32	1-29/32	1-31/32	2-7/32	2 ¹ / ₄	2 ¹ / ₄	2 ¹ / ₄	2 ⁵ / ₈	2-13/16
C distance across closed cam arms	---	3-3/32	3-7/32	3-29/32	4-7/32	4-19/32	5-1/16	5-27/32	6-15/16	9-31/32	12
D distance across open cam arms	---	6-7/32	6-11/32	7-15/32	7-25/32	8-5/32	8-21/32	9-29/32	11	16-25/32	18-25/32
E hose shank OD	---	27/32	1-1/16	1-11/32	1-9/16	2-1/16	2-19/32	3-3/32	4-3/32	6-3/32	8-1/16

316 stainless steel dimensions

Size	3/4" x 1/2"	3/4"	1"	1 1/4"	1 1/2"	2"	2 1/2"	3"	4"	6"	8"
A overall length	3-3/32	3 ⁷ / ₈	4 ¹ / ₂	4-31/32	5 ¹ / ₂	5-5/16	---	6-15/32	6-19/32	8-11/16	---
B coupler length	1-5/16	1-9/32	1-9/16	2-1/32	2-29/32	2-3/16	---	2-9/32	2-11/32	2-19/32	---
C distance across closed cam arms	3-3/32	3-3/32	3 ³ / ₄	3-29/32	4-7/32	4-19/32	---	5-27/32	6-15/16	9-31/32	---
D distance across open cam arms	6-7/32	6-7/32	6-11/32	7-15/32	7-25/32	8-5/32	---	9-29/32	11	16-25/32	---
E hose shank OD	19/32	27/32	1-1/16	1-5/16	1-19/32	2-3/32	---	3-3/32	4-3/32	6-1/16	---

EZLink™ Armless Type D Couplers

Applications:

- transfer and/or unloading of fuels (gasoline or diesel) from tank truck to storage tanks
- transfer of water and solutions compatible with aluminum and Buna-N rubber

Materials:

- couplings and dust caps: A356 aluminum
- coupler tabs and springs: 316 stainless steel
- gasket: Buna-N

Features:

- automatic couplers push-to-connect providing a reliable connection
- low profile allows easy connection and disconnection in tight applications
- coupler push tabs can be locked with safety pins and/or zip tie
- compatible with standard cam and groove adapters

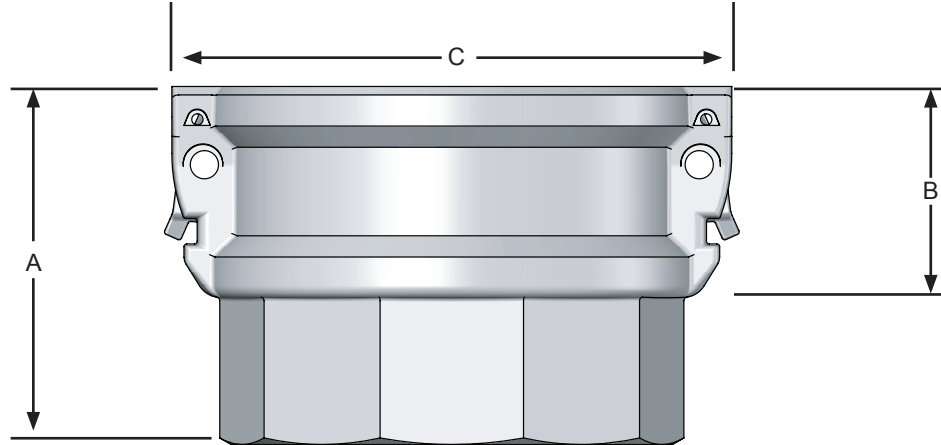
Specifications:

- maximum working pressure with King Crimp™ ferrules: **250 PSI** (2"), **150 PSI** (3" and 4")
- maximum working pressure with crimp sleeves: **110 PSI**
- maximum working pressure with band clamps: **100 PSI**
- gasket temperature range: **5°F to 180°F (-15°C to 82°C)**



Only use EZLink™ gaskets for this coupling system. Traditional cam & groove gaskets, or other types of seals are not compatible and will fail. 

Size	A356 Aluminum Part #	316 Stainless Steel Part #
2"	EZL200-D-AL	EZL200-D-SS
3"	EZL300-D-AL	EZL300-D-SS
4"	EZL400-D-AL	---



A356 aluminum dimensions

Size	2"	3"	4"
A overall length	3-5/16	3%	3-31/32
B coupler length	2-3/16	2-5/16	2-5/16
C distance across EARS	3-21/32	5-3/32	6-3/16
D distance across flats	2%	3%	4%


316 stainless steel dimensions

Size	2"
A overall length	3-3/16
B coupler length	2-3/16
C distance across EARS	3-21/32
D distance across flats	2%

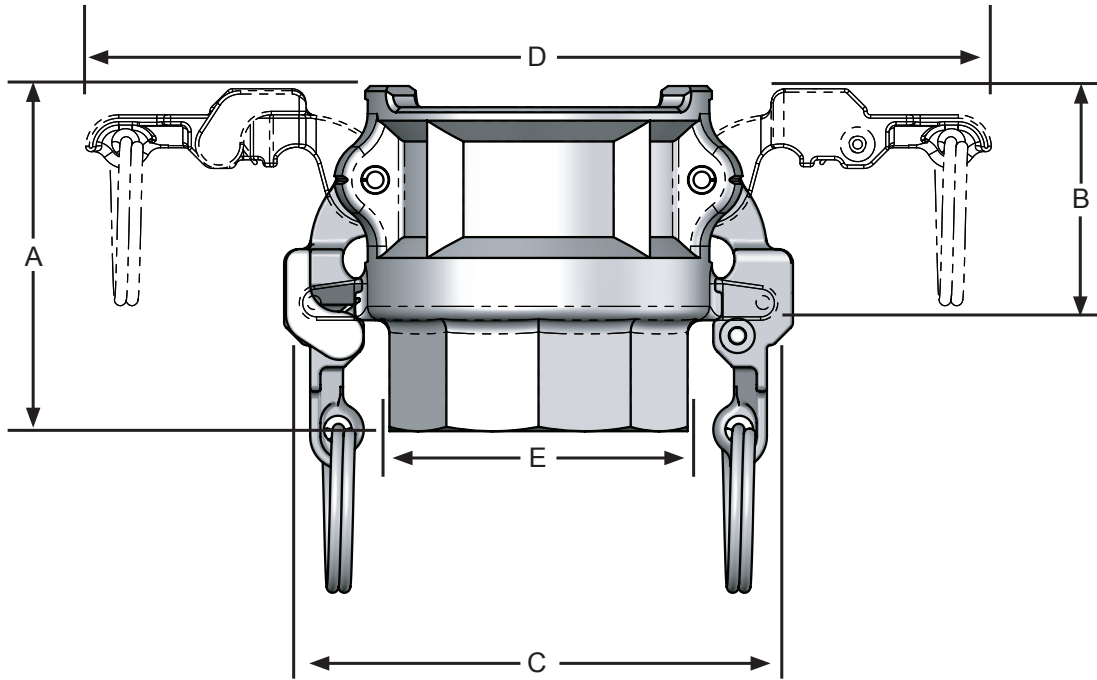
Vent-Lock™ EZ Boss-Lock™ Type D Couplers



Features:

- safety release cam & groove couplings permit the release of static pressure when disconnecting hose assemblies
- venting system protects operator from being sprayed with hazardous or non-hazardous fluids or solids
- rated to **250 PSI**, recommendation based on the use of mating Dixon® L-style fittings at ambient temperature **70°F (21°C)** with standard Buna-N seal installed, for use at elevated temperature or other unusual operating conditions, consult Dixon®
 - 1", 1½" and 2" sizes have a maximum working pressure of **250 PSI**
 - 3" maximum working pressure **150 PSI** with King Crimp™ ferrules, crimp sleeves and bands at **125 PSI**
- does not interchange with standard cam & groove products use only with Vent-Lock™ 

Size	316 Stainless Steel Part #
1"	RLD100EZ
1½"	RLD150EZ
2"	RLD200EZ



316 stainless steel dimensions

Size	2"
A overall length	3⅞
B coupler length	2⅞
C distance across closed cam arms	4-19/32
D distance across open cam arms	8-5/32
E distance across flats	2-11/16

Dixon® Type D Couplers female coupler x female NPT

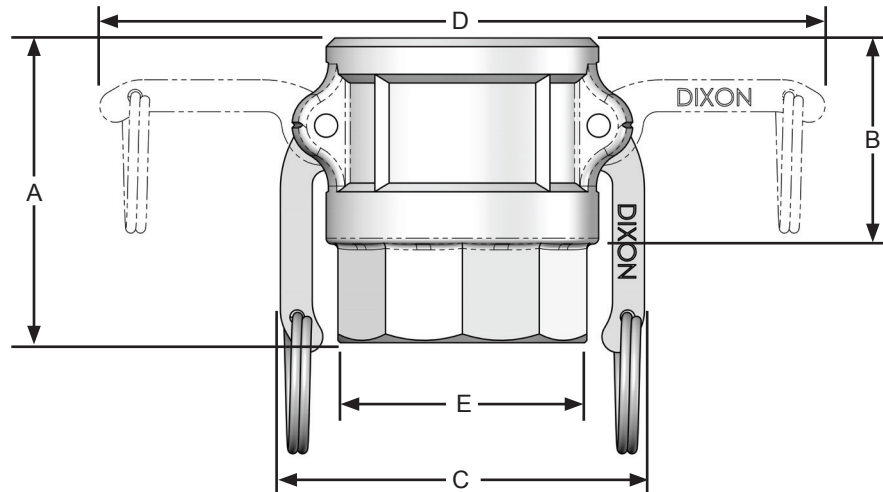
Features:

- Finger rings are not supplied on ½" - 1" Dixon® couplings.
- ½" Dixon® coupler has only one cam arm.
- Couplers are supplied standard with a Buna-N gasket. Other gasket types are available on pages 65-67.

Size	356T6 Aluminum Part #	Aluminum Hard Coat Part #	Brass Part #	Unplated Malleable Iron Part #	316 Stainless Steel Part #
½"	50-D-AL	---	50-D-BR	---	50-D-SS
¾"	75-D-AL	---	75-D-BR	---	75-D-SS
1"	100-D-AL	---	100-D-BR	---	100-D-SS
1¼"	125-D-AL	---	125-D-BR	---	125-D-SS
1½"	150-D-AL	150-D-ALH	150-D-BR	150-D-MI	150-D-SS
2"	200-D-AL	200-D-ALH	200-D-BR	200-D-MI	200-D-SS
2½"	250-D-AL	---	250-D-BR	---	250-D-SS
3"	300-D-AL	300-D-ALH	300-D-BR	300-D-MI	300-D-SS
4"	400-D-AL	400-D-ALH	400-D-BR	400-D-MI ²	400-D-SS
5"	500-D-AL	---	500-D-BR	500-D-MI	500-D-SS
6"	600-D-AL	600-D-ALH	600-D-BR	---	600-D-SS
8"	800-D-AL ¹	---	---	---	---



¹ Dixon® and Boss-Lock™ cam and groove couplings *do not interchange in the 8" and ½" sizes*. The 8" Dixon® design has 4 cam arms, Boss-Lock™ design has 2 cam arms.
² ductile iron



356T6 aluminum, brass and iron dimensions

Size	½"	¾"	1"	1¼"	1½"	2"	2½"	3"	4"	5"	6"	8"
A overall length	1-31/32	2-5/32	2-9/16	2-27/32	2-27/32	3-5/16	3%	3-11/16	3-13/16	3¾	4-11/32	5-27/32
B coupler length	1-9/32	1%	1-9/16	1-15/16	1-13/16	2-7/32	2%	2%	2-5/16	2-5/16	2%	3-13/16
C distance across closed cam arms	1-17/32	2%	2-7/16	3¼	3-9/16	3-15/16	4-7/16	5-15/32	6-9/16	7-9/16	10-3/32	12-1/32
D distance across open cam arms	2-9/16	4%	5-3/16	7-5/32	7-7/16	7-13/16	8-11/32	10-3/32	11-3/16	12-3/16	16¼	19-31/32
E distance across flats	1-1/16	1-9/32	1-19/32	2	2-3/16	2%	3-7/32	3%	4%	6-9/16 ¹	7-23/32 ¹	10-1/16 ¹

¹ distance across lugs

316 stainless steel dimensions

Size	½"	¾"	1"	1¼"	1½"	2"	2½"	3"	4"	5"	6"	8"
A overall length	2	2-1/16	2½	2-27/32	2-27/32	3-3/16	3¾	3-19/32	3-11/16	3-13/16	4-1/16	---
B coupler length	1-7/32	1¼	1-9/16	1-29/32	1-29/32	2-7/32	2¼	2-9/32	2-9/32	2-5/16	2-19/32	---
C distance across closed cam arms	1-17/32	2%	2-7/16	3¼	3-9/16	3-15/16	4-7/16	5-15/32	6-9/16	7-9/16	10-3/32	---
D distance across open cam arms	2%	4%	5-3/16	7-5/32	7-7/16	7-13/16	8-11/32	9-15/16	11-1/32	12-3/16	16¼	---
E distance across flats	1-3/32	1-5/16	1%	1-15/16	2-3/16	2-11/16	3¾	3¾	4¾	6-7/16 ¹	7-9/16 ¹	---

¹ distance across lugs

Boss-Lock™ Type D Couplers

female coupler x female NPT

Features:

- All Boss-Lock™ couplers are supplied with safety clips.
- Couplers are supplied standard with a Buna-N gasket. Other gasket types are available on pages 65-67.



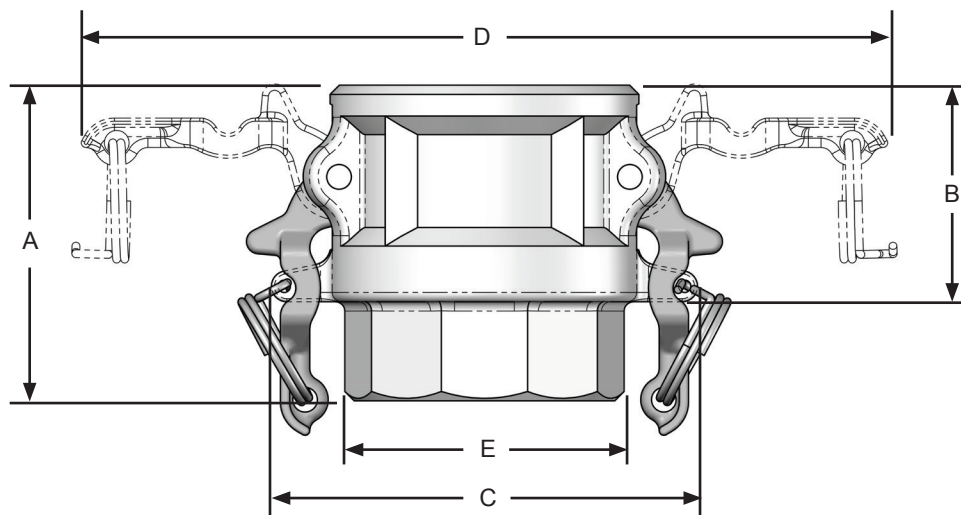
Size	356T6 Aluminum Part #	Brass Part #	Plated Malleable Iron Part #	316 Stainless Steel Part #
¾" x ½"	AD050	BD050	---	RD050BL
¾"	AD075	BD075	ID075	RD075BL
1"	AD100	BD100	ID100	RD100BL
1¼"	AD125	BD125	---	RD125BL
1½"	AD150	BD150	ID150	RD150BL
2"	AD200	BD200	ID200	RD200BL
2½"	AD250	BD250	---	---
3"	AD300	BD300	ID300	RD300BL
4"	AD400	BD400	ID400	RD400BL
5"	AD500	---	---	---
6"	AD600	BD600	ID600 ²	---
8"	AD800 ¹	---	---	---



¹ Dixon® and Boss-Lock™ cam and groove couplings *do not interchange in the 8" and ½" sizes.*

The 8" Dixon® design has 4 cam arms, Boss-Lock™ design has 2 cam arms.

² ductile iron

**356T6 aluminum, brass and iron dimensions**

Size	¾" x ½"	¾"	1"	1¼"	1½"	2"	2½"	3"	4"	5"	6"	8"
A overall length	2	2-7/32	2-17/32	3-3/32	2-31/32	3¼	3-11/16	3-27/32	3-13/16	4¼	4½	4½
B coupler length	1-5/16	1-13/32	1-17/32	1-29/32	1-31/32	2-3/16	2¼	2-9/32	2-5/16	2-13/32	2-9/16	2-13/16
C distance across safety lugs	2-19/32	2-19/32	2-29/32	3⅝	3-29/32	4-5/16	4-13/16	5-9/16	6-11/16	7-25/32	9⅝	11⅝
D distance across open cam arms	5-13/32	5-13/32	5-9/16	7-15/32	7-25/32	8-5/32	8-21/32	9-29/32	11	12-1/32	16-5/32	18-5/32
E distance across flats	1-3/16	1⅝	1⅝	2	2¼	2⅝	3-5/16	3⅝	4⅞	6½ ¹	8-5/32	9-31/32

¹ distance across lugs

316 stainless steel dimensions

Size	¾" x ½"	¾"	1"	1¼"	1½"	2"	2½"	3"	4"	5"	6"	8"
A overall length	2	2⅝	2½	3-3/32	2-27/32	3-3/16	---	3-19/32	3-23/32	---	---	---
B coupler length	1-5/16	1-9/32	1-9/16	1-29/32	1-29/32	2-3/16	---	2-9/32	2-5/16	---	---	---
C distance across safety lugs	2-25/32	2-25/32	2-29/32	3⅝	3-29/32	4-5/16	---	5-9/16	6-11/16	---	---	---
D distance across open cam arms	5-13/32	5-13/32	5-9/16	7-15/32	7-25/32	8-5/32	---	9-29/32	11	---	---	---
E distance across flats	1-3/16	1⅝	1⅝	2	2-3/16	2-11/16	---	3¼	4⅞	---	---	---

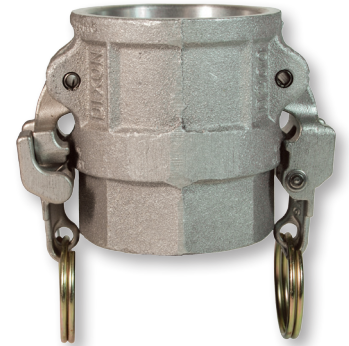
EZ Boss-Lock™ Type D Couplers

female coupler x female NPT

Feature:

- Couplers are supplied standard with a Buna-N gasket. Other gasket types are available on pages 65-67.

Size	356T6 Aluminum Part #	Brass Part #	316 Stainless Steel Part #	Heavy Duty 316 Stainless Steel Part #
3/4" x 1/2"	---	---	RD050EZ	---
3/4"	AD075EZ	BD075EZ	RD075EZ	---
1"	AD100EZ	BD100EZ	RD100EZ	---
1 1/4"	---	BD125EZ	RD125EZ	---
1 1/2"	AD150EZ	BD150EZ	RD150EZ	---
2"	AD200EZ	BD200EZ	RD200EZ	---
2 1/2"	AD250EZ	BD250EZ	RD250EZ	---
3"	AD300EZ	BD300EZ	RD300EZ	RD300EZHD²
4"	AD400EZ	BD400EZ	RD400EZ	RD400EZHD²
5"	AD500EZ	---	---	---
6"	AD600EZ	---	RD600EZ	---
8"	AD800EZ¹	---	---	---



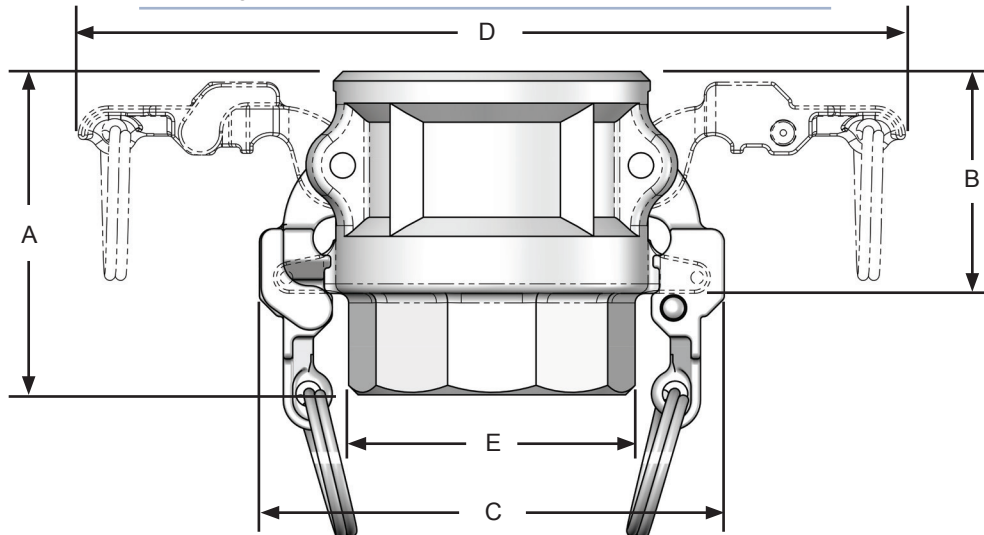
¹ Dixon® and Boss-Lock™ cam and groove couplings *do not interchange in the 8" and 1/2" sizes.*



² Supplied with 4 cam arms

The 8" Dixon® design has 4 cam arms, Boss-Lock™ design has 2 cam arms.

Under no circumstances should the EZ Boss-Lock™ cam arms be used on any fitting not specifically designed for their use. See page 6 for further specifications.



356T6 aluminum, brass and iron dimensions

Size	3/4" x 1/2"	3/4"	1"	1 1/4"	1 1/2"	2"	2 1/2"	3"	4"	5"	6"	8"
A overall length	---	2-7/32	2-17/32	3-3/32	2 7/8	3 1/4	3-11/16	3-27/32	3-13/16	4 1/8	4 1/2	4 1/2
B coupler length	---	1-13/32	1-17/32	1-29/32	1-31/32	2-7/32	2 1/4	2-9/32	2-5/16	2-13/32	2 5/8	2-13/16
C distance across closed cam arms	---	3-3/32	3-7/32	3-29/32	4-7/32	4-19/32	5-1/16	5-27/32	6-15/16	7 7/8	9-31/32	12
D distance across open cam arms	---	6-7/32	6-11/32	7-15/32	7-25/32	8-5/32	8-21/32	9-29/32	11	12-1/16	16-25/32	18-25/32
E distance across flats	---	1 1/8	1 1/8	2	2 1/4	2 5/8	3-5/16	3 7/8	4 7/8	6-25/32 ¹	8-5/32	9-31/32

¹ distance across lugs

316 stainless steel dimensions

Size	3/4" x 1/2"	3/4"	1"	1 1/4"	1 1/2"	2"	2 1/2"	3"	4"	5"	6"	8"
A overall length	2	2 1/8	2 1/2	3-3/32	2-27/32	3-3/16	3-11/16	3-19/32	3-23/32	---	4-1/16	---
B coupler length	1-5/16	1-9/32	1-9/16	1-29/32	1-29/32	2-3/16	2 1/4	2-9/32	2-5/16	---	2-19/32	---
C distance across closed cam arms	3-3/32	3-3/32	3 1/4	3-29/32	4-7/32	4-19/32	5-1/16	5-27/32	6-15/16	---	9-31/32	---
D distance across open cam arms	6-7/32	6-7/32	6-11/32	7-15/32	7-25/32	8-5/32	8-21/32	9-29/32	11	---	16-25/32	---
E distance across flats	1-3/16	1 1/8	1 5/8	2	2-3/16	2-11/16	3-5/16	3 3/4	4 7/8	---	7-9/16	---

EZLink™ Armless Type B Couplers

Applications:

- transfer and/or unloading of fuels (gasoline or diesel) from tank truck to storage tanks
- transfer of water and solutions compatible with aluminum and Buna-N rubber

Materials:

- couplings and dust caps: A356 aluminum
- coupler tabs and springs: 316 stainless steel
- gasket: Buna-N

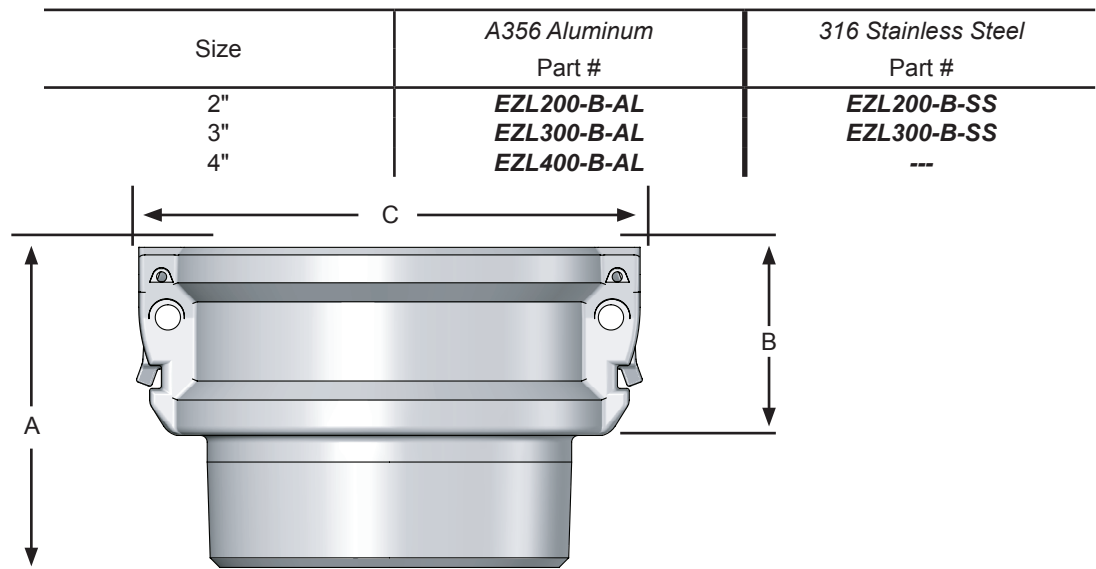
Features:

- automatic couplers push-to-connect providing a reliable connection
- low profile allows easy connection and disconnection in tight applications
- coupler push tabs can be locked with safety pins and/or zip tie
- compatible with standard cam and groove adapters

Specifications:

- maximum working pressure with King Crimp™ ferrules: **250 PSI** (2"), **150 PSI** (3" and 4")
- maximum working pressure with crimp sleeves: **110 PSI**
- maximum working pressure with band clamps: **100 PSI**
- gasket temperature range: **5°F to 180°F (-15°C to 82°C)**

Only use EZLink™ gaskets for this coupling system. Traditional cam & groove gaskets, or other types of seals are not compatible and will fail. 



A356 aluminum dimensions

Size	2"	3"	4"
A overall length	3-7/32	3 3/8	3-15/16
B coupler length	2-3/16	2-5/16	2-5/16
C distance across EARS	3-21/32	5-3/32	6-3/16

316 stainless steel dimensions

Size	2"
A overall length	3-3/16
B coupler length	2-3/16
C distance across EARS	3-21/32

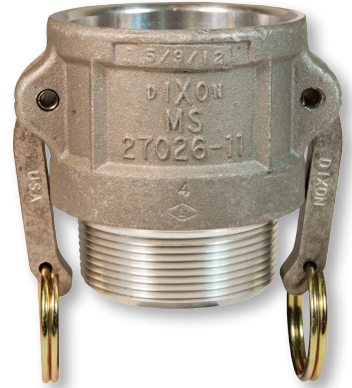
Dixon® Type B Couplers

female coupler x male NPT

Features:

- Finger rings are not supplied on ½" - 1" Dixon® couplings.
- ½" Dixon coupler has only one cam arm.
- Couplers are supplied standard with a Buna-N gasket. Other gasket types are available on pages 65-67.

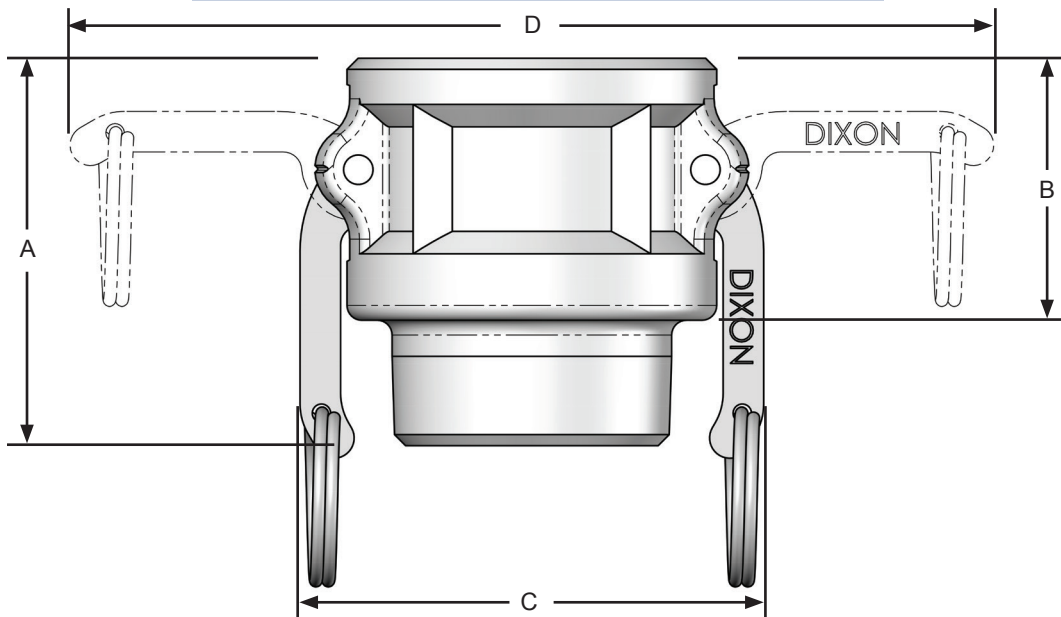
Size	356T6 Aluminum Part #	Aluminum Hard Coat Part #	Brass Part #	Unplated Malleable Iron Part #	316 Stainless Steel Part #
½"	50-B-AL	---	50-B-BR	---	50-B-SS
¾"	75-B-AL	---	75-B-BR	---	75-B-SS
1"	100-B-AL	---	100-B-BR	---	100-B-SS
1¼"	125-B-AL	---	---	---	---
1½"	150-B-AL	150-B-ALH	150-B-BR	150-B-MI ³	150-B-SS
2"	200-B-AL	200-B-ALH	200-B-BR	200-B-MI	200-B-SS
2½"	250-B-AL	---	---	---	250-B-SS
3"	300-B-AL	300-B-ALH	300-B-BR	300-B-MI ³	300-B-SS
4"	400-B-AL	400-B-ALH	400-B-BR	400-B-MI	400-B-SS
5"	500-B-AL	---	---	---	600-B-SS
6"	600-B-AL	600-B-ALH	---	---	---
8"	800-B-AL ^{1,2}	---	---	---	---



¹ Dixon® and Boss-Lock™ cam and groove couplings do not interchange in the 8" and ½" sizes. The 8" Dixon® design has 4 cam arms, Boss-Lock™ design has 2 cam arms.

² Parts are produced as a welded fabrication.

³ ductile iron



356T6 aluminum, brass and iron dimensions

Size		½"	¾"	1"	1¼"	1½"	2"	2½"	3"	4"	5"	6"	8"
A	overall length	1-31/32	2-1/32	2-17/32	2¾	2-27/32	3¼	3¾	3-15/16	4-1/32	4-3/16	4-7/16	8¼
B	coupler length	1-9/32	1-9/32	1-21/32	1-31/32	1-13/16	2-7/32	2¾	2-5/16	2-11/32	2-5/16	2¾	3-13/16
C	distance across closed cam arms	1-17/32	2¾	2-7/16	3¼	3-9/16	3-15/16	4-7/16	5-15/32	6-9/16	7-9/16	10-3/32	12-1/32
D	distance across open cam arms	2¾	4¾	5-3/16	7-5/32	7-7/16	7-13/16	8-11/32	10-3/32	11-3/16	12-3/16	16¼	19-31/32

316 stainless steel dimensions

Size		½"	¾"	1"	1¼"	1½"	2"	2½"	3"	4"	5"	6"	8"
A	overall length	2-1/32	2¾	2-9/16	2-27/32	2-31/32	3-9/32	3-7/16	3-29/32	4	---	4-17/32	---
B	coupler length	1-7/32	1¼	1-9/16	1-29/32	1-29/32	2-7/32	2¼	2-9/32	2-9/32	---	2-19/32	---
C	distance across closed cam arms	1-17/32	2¾	2-7/16	3¼	3-9/16	3-15/16	4-7/16	5-15/32	6-9/16	---	10-3/32	---
D	distance across open cam arms	2¾	4¾	5-3/16	7-5/32	7-7/16	7-13/16	8-11/32	9-15/16	11-1/32	---	16¼	---

Boss-Lock™ Type B Couplers

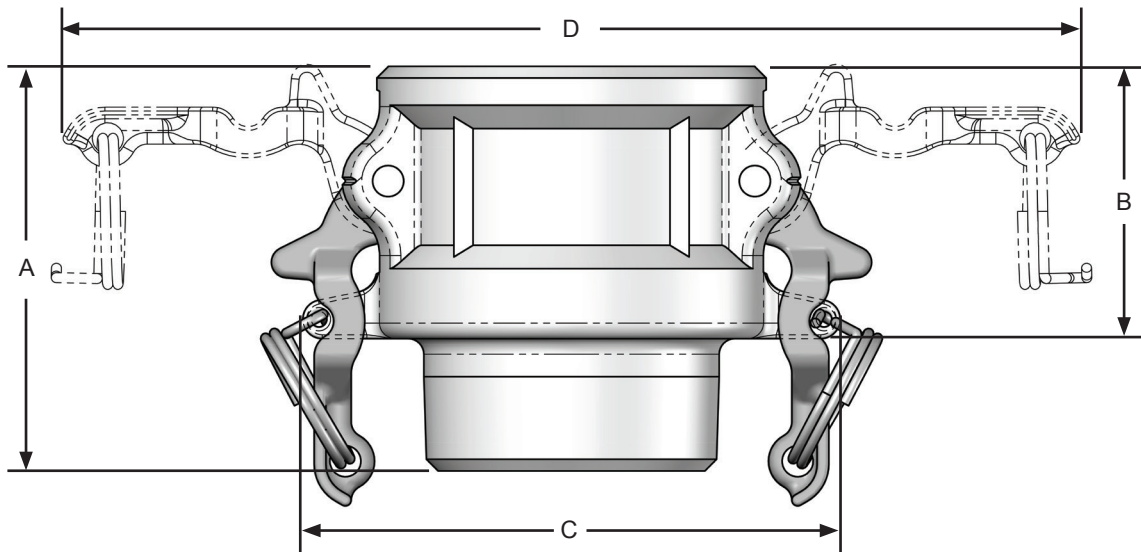
female coupler x male NPT

Features:

- All Boss-Lock™ couplers are supplied with safety clips.
- Couplers are supplied standard with a Buna-N gasket. Other gasket types are available on pages 65-67.



Size	356T6 Aluminum Part #	Brass Part #	Plated Malleable Iron Part #	316 Stainless Steel Part #
3/4" x 1/2"	---	---	---	RB050BL
3/4"	---	BB075	---	RB075BL
1"	AB100	BB100	IB100	RB100BL
1 1/4"	AB125	BB125	---	RB125BL
1 1/2"	AB150	BB150	---	RB150BL
2"	AB200	BB200	IB200	RB200BL
2 1/2"	AB250	BB250	---	---
3"	AB300	BB300	---	RB300BL
4"	AB400	BB400	---	RB400BL
6"	AB600	---	---	---



356T6 aluminum, brass and iron dimensions

Size	3/4" x 1/2"	3/4"	1"	1 1/4"	1 1/2"	2"	2 1/2"	3"	4"	5"	6"	8"
A overall length	---	2-5/16	2-17/32	3-5/32	3-5/32	3-9/32	3 7/8	4	4-1/16	---	4-23/32	---
B coupler length	---	1-13/32	1-17/32	1-29/32	1-29/32	2-7/32	2 1/4	2-5/16	2-5/16	---	2-19/32	---
C distance across safety lugs	---	2-19/32	2-29/32	3 5/8	3-29/32	4-5/16	4-13/16	5-9/16	6-11/16	---	9 5/8	---
D distance across open cam arms	---	5-13/32	5-9/16	7-15/32	7-25/32	8-5/32	8-21/32	9-29/32	11	---	16-5/32	---

316 stainless steel dimensions

Size	3/4" x 1/2"	3/4"	1"	1 1/4"	1 1/2"	2"	2 1/2"	3"	4"	5"	6"	8"
A overall length	2 1/4	2 1/4	2-9/16	3-3/16	3-7/32	3 1/4	---	3-29/32	4-1/16	---	---	---
B coupler length	1-5/16	1-9/32	1-9/16	1-29/32	1-29/32	2-3/16	---	2-9/32	2-5/16	---	---	---
C distance across safety lugs	2-25/32	2-25/32	2-29/32	3 5/8	3-29/32	4-5/16	---	5-9/16	6-11/16	---	---	---
D distance across open cam arms	5-13/32	5-13/32	5-9/16	7-15/32	7-25/32	8-5/32	---	9-29/32	11	---	---	---

EZ Boss-Lock™ Type B Couplers

female coupler x male NPT

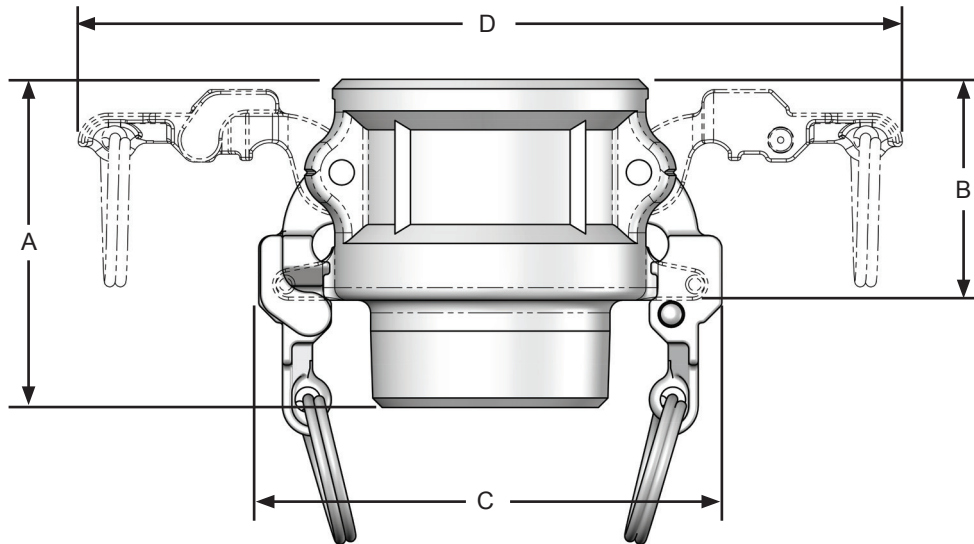
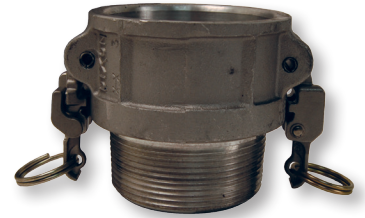
Features:

- Couplers are supplied standard with a Buna-N gasket. Other gasket types are available on pages 65-67.



- Under no circumstances should the EZ Boss-Lock™ cam arms be used on any fitting not specifically designed for their use. See page 6 for further specifications.

Size	356T6 Aluminum Part #	Brass Part #	316 Stainless Steel Part #
3/4" x 1/2"	---	---	RB050EZ
3/4"	---	BB075EZ	RB075EZ
1"	AB100EZ	BB100EZ	RB100EZ
1 1/4"	---	BB125EZ	RB125EZ
1 1/2"	AB150EZ	BB150EZ	RB150EZ
2"	AB200EZ	BB200EZ	RB200EZ
3"	AB300EZ	BB300EZ	RB300EZ
4"	AB400EZ	BB400EZ	RB400EZ
6"	---	---	RB600EZ



356T6 aluminum, brass and iron dimensions

Size		3/4" x 1/2"	3/4"	1"	1 1/4"	1 1/2"	2"	2 1/2"	3"	4"	5"	6"	8"
A	overall length	---	2-5/16	2-17/32	3-5/32	3-5/32	3-9/32	---	4	4-1/16	---	---	---
B	coupler length	---	1-13/32	1-17/32	1-29/32	1-29/32	2-7/32	---	2-5/16	2-5/16	---	---	---
C	distance across closed cam arms	---	3-3/32	3-7/32	3-29/32	4-7/32	4-19/32	---	5-27/32	6-15/16	---	---	---
D	distance across open cam arms	---	6-7/32	6-11/32	7-15/32	7-25/32	8-5/32	---	9-29/32	11	---	---	---

316 stainless steel dimensions

Size		3/4" x 1/2"	3/4"	1"	1 1/4"	1 1/2"	2"	2 1/2"	3"	4"	5"	6"	8"
A	overall length	2 1/4	2 1/4	2-9/16	3-3/16	3-7/32	3 3/4	---	3-29/32	4-1/16	---	4-17/32	---
B	coupler length	1-5/16	1-9/32	1-9/16	1-29/32	1-29/32	2-3/16	---	2-9/32	2-5/16	---	2-19/32	---
C	distance across closed cam arms	3-3/32	3-3/32	3 1/4	3-29/32	4-7/32	4-19/32	---	5-27/32	6-15/16	---	9-31/32	---
D	distance across open cam arms	6-7/32	6-7/32	6-11/32	7-15/32	7-25/32	8-5/32	---	9-29/32	11	---	16-25/32	---

EZLink™ Armless Type DC Dust Caps

Applications:

- transfer and/or unloading of fuels (gasoline or diesel) from tank truck to storage tanks
- transfer of water and solutions compatible with aluminum and Buna-N rubber

Materials:

- couplings and dust caps: A356 aluminum
- coupler tabs and springs: 316 stainless steel
- gasket: Buna-N

Features:

- automatic couplers push-to-connect providing a reliable connection
- low profile allows easy connection and disconnection in tight applications
- coupler push tabs can be locked with safety pins and/or zip tie
- compatible with standard cam and groove adapters

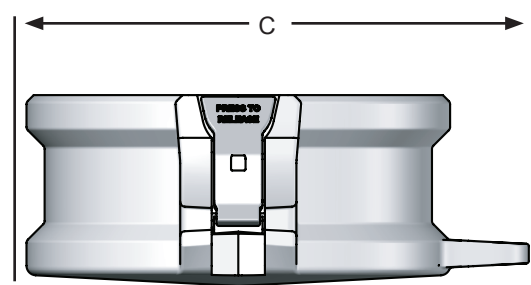
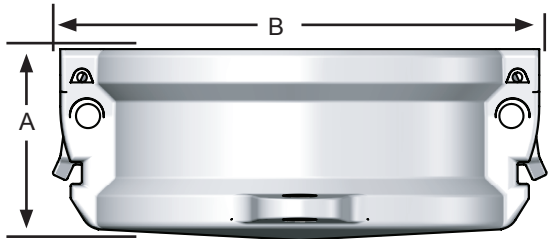


Specifications:

- maximum working pressure with King Crimp™ ferrules: **250 PSI** (2"), **150 PSI** (3" and 4")
- maximum working pressure with crimp sleeves: **110 PSI**
- maximum working pressure with band clamps: **100 PSI**
- gasket temperature range: **5°F to 180°F (-15°C to 82°C)**

Only use EZLink™ gaskets for this coupling system. Traditional cam & groove gaskets, or other types of seals are not compatible and will fail. 

Size	A356 Aluminum Part #	316 Stainless Steel Part #
2"	EZL200-DC-AL	EZL200-DC-SS
3"	EZL300-DC-AL	EZL300-DC-SS
4"	EZL400-DC-AL	---



A356 aluminum dimensions


Size	2"	3"	4"
A overall length	2-3/16	2-5/16	2-5/16
B distance across EARS	3-21/32	5-3/32	6-3/16
C coupler OD with chain lug	3 5/8	5 1/8	6-15/32

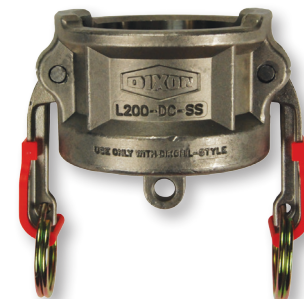
316 stainless steel dimensions

Size	2"
A overall length	2-3/16
B distance across EARS	3-21/32
C coupler OD with chain lug	3-19/32

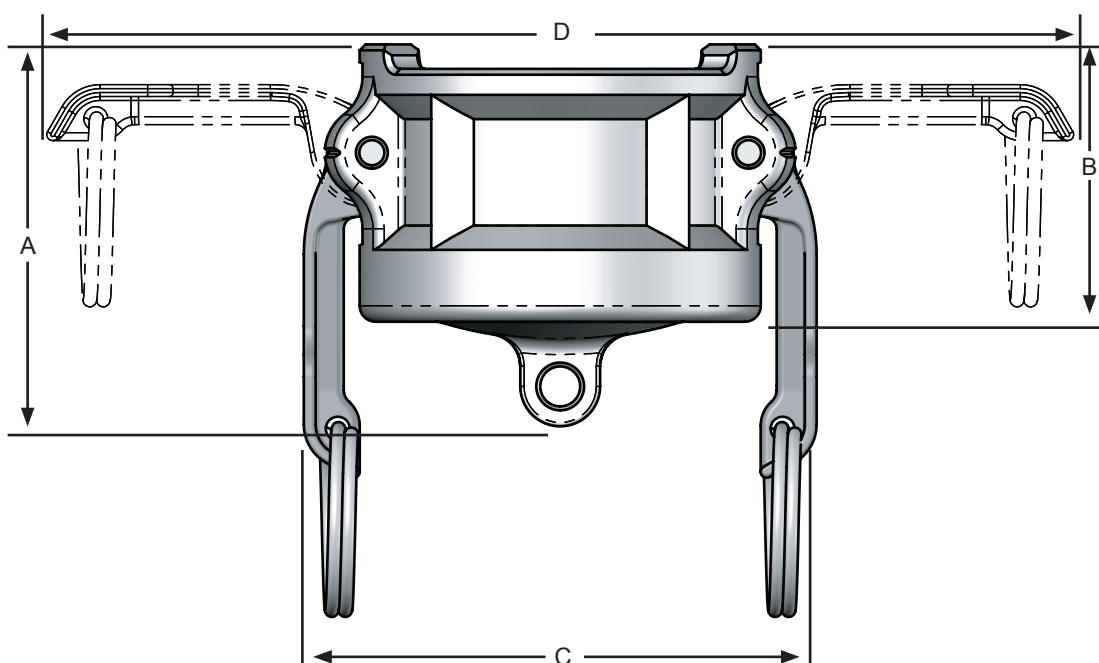
Vent-Lock™ Type DC Dust Caps

Features:

- safety release cam & groove couplings permit the release of static pressure when disconnecting hose assemblies
- venting system protects operator from being sprayed with hazardous or non-hazardous fluids or solids
- rated to **250 PSI**, recommendation based on the use of mating Dixon® L-style fittings at ambient temperature **70°F (21°C)** with standard Buna-N seal installed, for use at elevated temperature or other unusual operating conditions, consult Dixon®
 - 1", 1½" and 2" sizes have a maximum working pressure of **250 PSI**
 - 3" maximum working pressure **150 PSI** with King Crimp™ ferrules, crimp sleeves and bands at **125 PSI**
- does not interchange with standard cam & groove products use only with Vent-Lock™  L-style fittings



Size	316 Stainless Steel Part #
1"	L100-DC-SS
1½"	L150-DC-SS
2"	L200-DC-SS



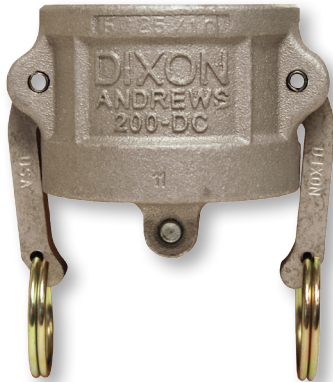
316 Stainless Steel

Size	2"	3"	4"
A overall length	2-5/32	2¾	2-31/32
B coupler length	1-19/32	1-29/32	2-5/32
C distance across closed cam arms	2-7/16	3-9/16	3-15/16
D distance across open cam arms	5-3/16	7-7/16	7-13/16

Dixon® Type DC Dust Caps

Features:

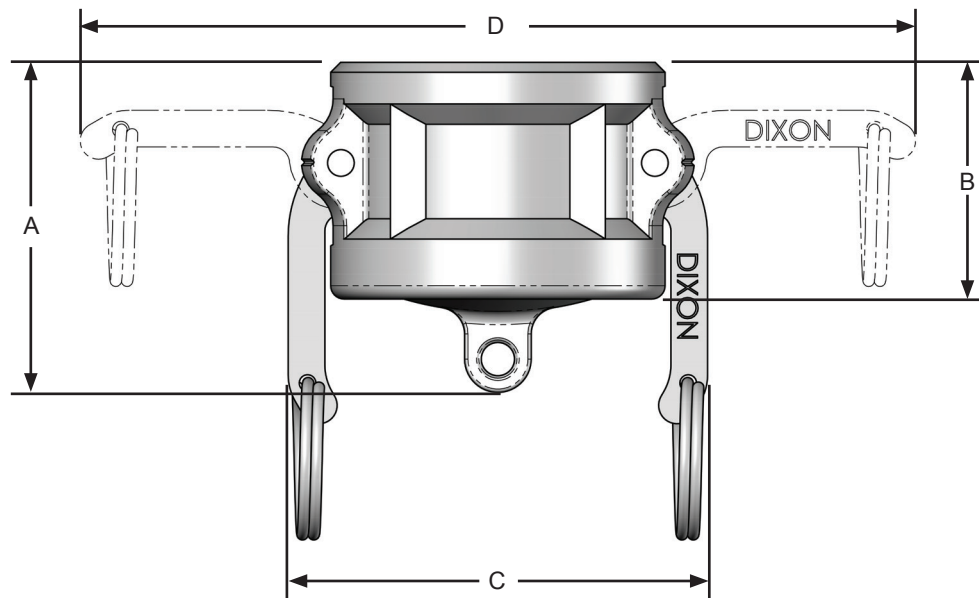
- Finger rings are not supplied on ½" - 1" Dixon® couplings.
- ½" Dixon® has only one cam arm.
- Couplers are supplied standard with a Buna-N gasket. Other gasket types are available on pages 65-67.



Size	356T6 Aluminum Part #	Aluminum Hard Coat Part #	Brass Part #	Unplated Malleable Iron Part #	316 Stainless Steel Part #
½"	50-DC-AL	---	50-DC-BR	---	50-DC-SS
¾"	75-DC-AL	---	75-DC-BR	---	75-DC-SS
1"	100-DC-AL	---	100-DC-BR	---	100-DC-SS
1½"	150-DC-AL	150-DC-ALH	150-DC-BR	---	150-DC-SS
2"	200-DC-AL	200-DC-ALH	200-DC-BR	200-DC-MI	200-DC-SS
2½"	250-DC-AL	---	---	---	250-DC-SS
3"	300-DC-AL	300-DC-ALH	300-DC-BR	300-DC-MI	300-DC-SS
4"	400-DC-AL	400-DC-ALH	400-DC-BR	400-DC-MI	400-DC-SS
5"	500-DC-AL	---	500-DC-BR	---	500-DC-SS
6"	600-DC-AL	600-DC-ALH	---	---	600-DC-SS
8"	800-DC-AL ¹	---	---	---	---

¹ Dixon® and Boss-Lock™ cam and groove couplings do not interchange in the 8" and ½" sizes.

The 8" Dixon dust cap has 2 cam arms.



356T6 aluminum, brass and iron dimensions


Size	½"	¾"	1"	1½"	2"	2½"	3"	4"	5"	6"	8"
A overall length	1-25/32	2-1/32	2-11/32	2-11/16	3	2¾	3⅛	3-21/32	3½	3-3/16	5-7/16
B coupler length	1-7/32	1-11/32	1-21/32	1-13/16	2-7/32	2-3/16	2¼	2-5/16	2-5/16	2⅝	3-13/16
C distance across safety lugs	1-17/32	2⅝	2-7/16	3-9/16	3-15/16	4-7/16	5-15/32	6-9/16	7-9/16	10-3/32	12-1/32
D distance across open cam arms	2-11/16	4⅝	5-3/16	7-7/16	7-13/16	8-11/32	10-3/32	11-3/16	12-3/16	16¼	19-31/32

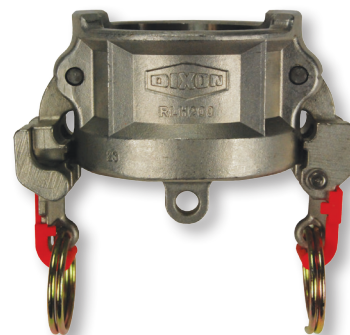
316 stainless steel dimensions

Size	½"	¾"	1"	1½"	2"	2½"	3"	4"	5"	6"	8"
A overall length	1-23/32	1¼	2-3/16	2-13/16	3-3/32	3-1/16	3⅝	3-17/32	3⅝	3¾	---
B coupler length	1-7/32	1¼	1-9/16	1-29/32	2-7/32	2¼	2-9/32	2-9/32	2-7/16	2-19/32	---
C distance across closed cam arms	1-17/32	2⅝	2-7/16	3-9/16	3-15/16	4-7/16	5-15/32	6-9/16	7-9/16	10-3/32	---
D distance across open cam arms	2⅝	4⅝	5-3/16	7-7/16	7-13/16	8-11/32	9-15/16	11-1/32	12-3/16	16¼	---

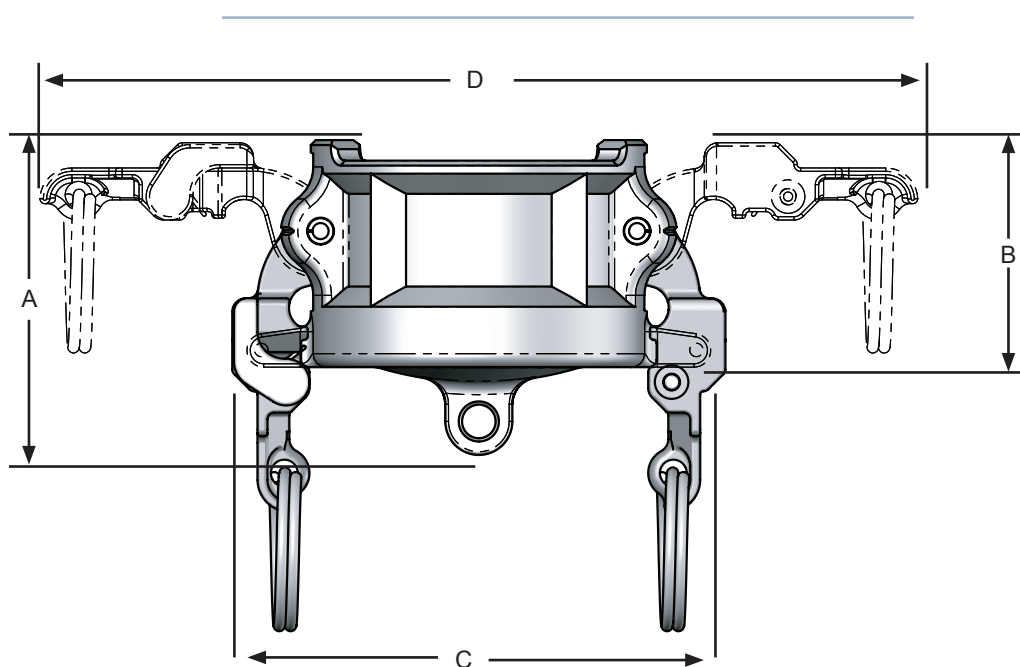
Vent-Lock™ EZ Boss-Lock™ Type H Dust Caps

Features:

- safety release cam & groove couplings permit the release of static pressure when disconnecting hose assemblies
- venting system protects operator from being sprayed with hazardous or non-hazardous fluids or solids
- rated to **250 PSI**, recommendation based on the use of mating Dixon® L-style fittings at ambient temperature **70°F (21°C)** with standard Buna-N seal installed, for use at elevated temperature or other unusual operating conditions, consult Dixon®
 - 1", 1½" and 2" sizes have a maximum working pressure of **250 PSI**
 - 3" maximum working pressure **150 PSI** with King Crimp™ ferrules, crimp sleeves and bands at **125 PSI**
- does not interchange with standard cam & groove products use only with Vent-Lock™ L-style fittings 



Size	316 Stainless Steel Part #
1"	RLH100EZ
1½"	RLH150EZ
2"	RLH200EZ
3"	RLH300EZ



316 stainless steel dimensions

Size	1"	1½"	2"	3"
A overall length	2-5/32	2-29/32	2-15/16	3 1/8
B coupler length	1-17/32	2-3/32	2 1/4	2 1/4
C distance across closed cam arms	3 1/4	4-7/32	4-19/32	5-27/32
D distance across open cam arms	6-11/32	7-25/32	8-5/32	9-29/32

Boss-Lock™ Type H Dust Caps

Features:

- All Boss-Lock™ couplers are supplied with safety clips.
- Couplers are supplied standard with a Buna-N gasket. Other gasket types are available on pages 65-67.

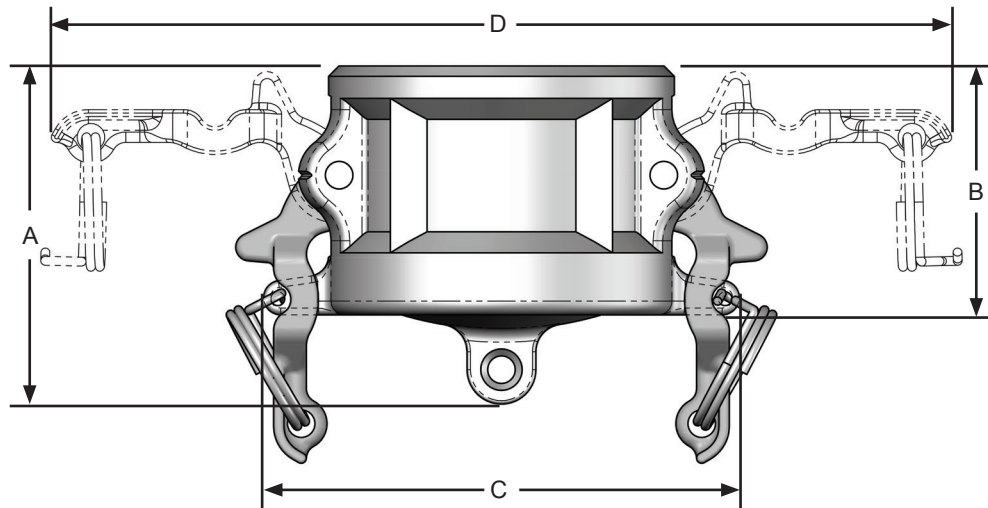


Size	356T6 Aluminum Part #	Brass Part #	Plated Malleable Iron Part #	316 Stainless Steel Part #
¾"	---	---	---	RH075BL
1"	AH100	BH100	---	RH100BL
1¼"	AH125	BH125	---	RH125BL
1½"	AH150	BH150	IH150	RH150BL
2"	AH200	BH200	IH200	RH200BL
2½"	AH250	BH250	---	---
3"	AH300	BH300	IH300	RH300BL
4"	AH400	BH400	IH400	RH400BL
6"	AH600	BH600	IH600	---
8"	AH800 ¹	---	---	---



¹ Dixon® and Boss-Lock™ cam and groove couplings *do not interchange in the 8" and ½" sizes.*

The 8" Boss-Lock™ design has 2 cam arms.



356T6 aluminum, brass and iron dimensions

Size	¾"	1"	1¼"	1½"	2"	2½"	3"	4"	5"	6"	8"
A overall length	---	2-3/16	2¾	2-15/16	3-1/16	3-7/32	3⅜	3-11/32	---	3-29/32	4-9/16
B coupler length	---	1-17/32	1-29/32	1-29/32	2-3/16	2¼	2-5/16	2-5/16	---	2⅝	2-13/16
C distance across safety lugs	---	2-29/32	3⅝	3-29/32	4-5/16	4-13/16	5-9/16	6-11/16	---	9⅞	11⅞
D distance across open cam arms	---	5-9/16	7-15/32	7-25/32	8-5/32	8-21/32	9-29/32	11	---	16-5/32	18-5/32

316 stainless steel dimensions

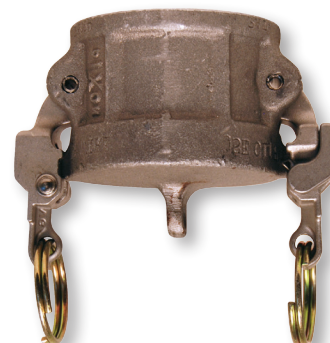
Size	¾"	1"	1¼"	1½"	2"	2½"	3"	4"	5"	6"	8"
A overall length	1-15/16	2¼	2¾	2-13/16	3-1/16	---	3⅜	3-19/32	---	---	---
B coupler length	1-9/32	1-9/16	1-29/32	1-29/32	2¼	---	2-9/32	2-5/16	---	---	---
C distance across safety lugs	2-25/32	2-29/32	3⅝	3-29/32	4-5/16	---	5-9/16	6-11/16	---	---	---
D distance across open cam arms	5-13/32	5-9/16	7-15/32	7-25/32	8-5/32	---	9-29/32	11	---	---	---

EZ Boss-Lock™ Type H Dust Caps

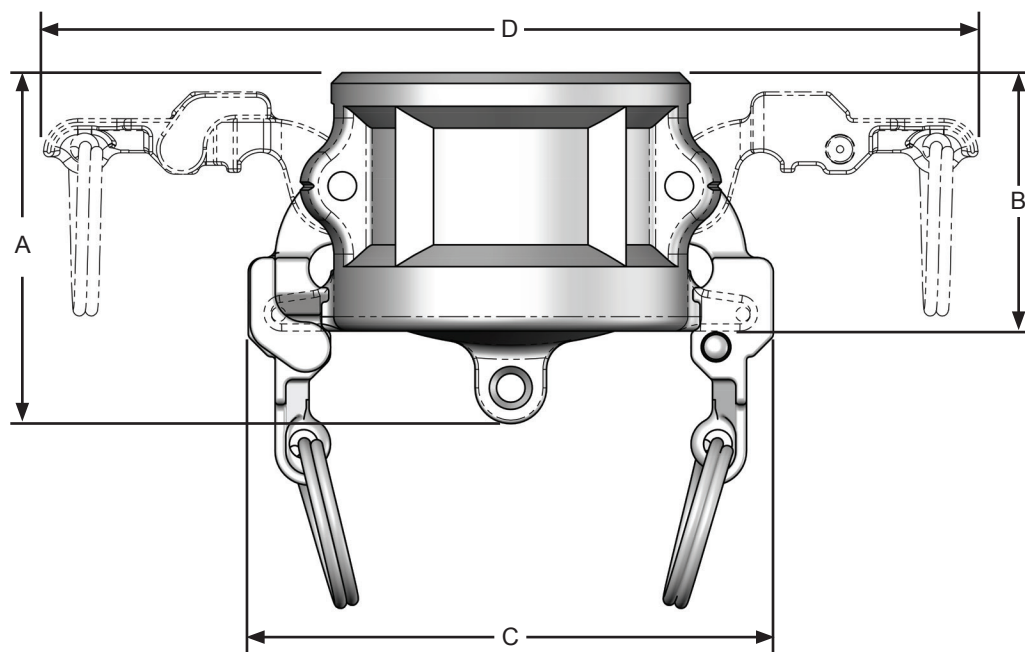
Feature:

- Couplers are supplied standard with a Buna-N gasket. Other gasket types are available on pages 65-67.

Size	356T6 Aluminum Part #	Brass Part #	316 Stainless Steel Part #
¾"	---	---	RH075EZ
1"	AH100EZ	BH100EZ	RH100EZ
1¼"	---	---	RH125EZ
1½"	AH150EZ	BH150EZ	RH150EZ
2"	AH200EZ	BH200EZ	RH200EZ
2½"	AH250EZ	---	---
3"	AH300EZ	BH300EZ	RH300EZ
4"	AH400EZ	---	RH400EZ
6"	AH600EZ	---	RH600EZ



- Under no circumstances should the EZ Boss-Lock™ cam arms be used on any fitting not specifically designed for their use. See page 6 for further specifications.
- Dust caps and dust plugs are not to be used in pressure applications for safety and environmental reasons.



356T6 aluminum, brass and iron dimensions

Size		¾"	1"	1¼"	1½"	2"	2½"	3"	4"	5"	6"	8"
A	overall length	---	2-3/16	---	2-15/16	3-1/16	3-7/32	3⅝	3-11/32	---	3-29/32	---
B	coupler length	---	1-17/32	---	1-29/32	2-3/16	2¼	2-5/16	2-5/16	---	2⅝	---
C	distance across closed cam arms	---	3-7/32	---	4-7/32	4-19/32	5-1/16	5-27/32	6-15/16	---	9-31/32	---
D	distance across open cam arms	---	6-11/32	---	7-25/32	8-5/32	8-21/32	9-29/32	11	---	16-25/32	---

316 stainless steel dimensions

Size		¾"	1"	1¼"	1½"	2"	2½"	3"	4"	5"	6"	8"
A	overall length	1-15/16	2¼	2¼	2-13/16	3-1/16	---	3⅝	3-19/32	---	3¾	---
B	coupler length	1-9/32	1-9/16	1-29/32	1-29/32	2¼	---	2-9/32	2-5/16	---	2-19/32	---
C	distance across closed cam arms	3-3/32	3¼	3-29/32	4-7/32	4-19/32	---	5-27/32	6-15/16	---	9-31/32	---
D	distance across open cam arms	6-7/32	6-11/32	7-15/32	7-25/32	8-5/32	---	9-29/32	11	---	16-25/32	---

Global Cam and Groove

Features:

- interchange with all products produced to A-A-59326D
- made to Dixon® specifications and branded Dixon®
- Buna seals are standard
- pressure rating for adapters is based on the seal of the mating part



- Dust caps and dust plugs are not to be used in pressure applications for safety and environmental reasons

Global Type A Adapter x Female NPT

Size	A380 Permanent Mold AL Part #	ASTMC38000 Forged Brass Part #	316 Investment Cast SS Part #
½"	G50-A-AL ¹	G50-A-BR ¹	G50-A-SS
¾"	G75-A-AL	G75-A-BR	G75-A-SS
1"	G100-A-AL	G100-A-BR	G100-A-SS
1¼"	G125-A-AL	G125-A-BR	G125-A-SS
1½"	G150-A-AL	G150-A-BR	G150-A-SS
2"	G200-A-AL	G200-A-BR	G200-A-SS
2½"	G250-A-AL	G250-A-BR	G250-A-SS
3"	G300-A-AL	G300-A-BR	G300-A-SS
4"	G400-A-AL	G400-A-BR	G400-A-SS
5"	G500-A-AL ¹	G500-A-BR ¹	---
6"	G600-A-AL	---	G600-A-SS
8"	G800-A-AL ¹	---	---

¹ does not interchange in the ½", 5", and 8" sizes with Dixon® or Boss-Lock™ style cam and groove



Global Type E Adapter x Hose Shank

Size	A380 Permanent Mold AL Part #	ASTMC38000 Forged Brass Part #	316 Investment Cast SS Part #
½"	G50-E-AL ¹	G50-E-BR ¹	G50-E-SS
¾"	G75-E-AL	G75-E-BR	G75-E-SS
1"	G100-E-AL	G100-E-BR	G100-E-SS
1¼"	G125-E-AL	G125-E-BR	G125-E-SS
1½"	G150-E-AL	G150-E-BR	G150-E-SS
2"	G200-E-AL	G200-E-BR	G200-E-SS
2½"	G250-E-AL	G250-E-BR	G250-E-SS
3"	G300-E-AL	G300-E-BR	G300-E-SS
4"	G400-E-AL	G400-E-BR	G400-E-SS
5"	G500-E-AL ¹	G500-E-BR ¹	---
6"	G600-E-AL	---	G600-E-SS
8"	G800-E-AL ¹	---	---

¹ does not interchange in the ½", 5", and 8" sizes with Dixon® or Boss-Lock™ style cam and groove



Global Type F Adapter x Male NPT

Size	A380 Permanent Mold AL Part #	ASTMC38000 Forged Brass Part #	316 Investment Cast SS Part #
½"	G50-F-AL ¹	G50-F-BR ¹	G50-F-SS
¾"	G75-F-AL	G75-F-BR	G75-F-SS
1"	G100-F-AL	G100-F-BR	G100-F-SS
1¼"	G125-F-AL	G125-F-BR	G125-F-SS
1½"	G150-F-AL	G150-F-BR	G150-F-SS
2"	G200-F-AL	G200-F-BR	G200-F-SS
2½"	G250-F-AL	G250-F-BR	G250-F-SS
3"	G300-F-AL	G300-F-BR	G300-F-SS
4"	G400-F-AL	G400-F-BR	G400-F-SS
5"	G500-F-AL ¹	G500-F-BR ¹	---
6"	G600-F-AL	---	G600-F-SS

¹ does not interchange in the ½" and 5" sizes with Dixon® or Boss-Lock™ style cam and groove



Global Type DP Dust Plugs

Size	A380 Permanent Mold AL Part #	ASTMC38000 Forged Brass Part #	316 Investment Cast SS Part #
½"	G50-DP-AL ¹	G50-DP-BR ¹	G50-DP-SS
¾"	G75-DP-AL	G75-DP-BR	G75-DP-SS
1"	G100-DP-AL	G100-DP-BR	G100-DP-SS
1¼"	G125-DP-AL	G125-DP-BR	G125-DP-SS
1½"	G150-DP-AL	G150-DP-BR	G150-DP-SS
2"	G200-DP-AL	G200-DP-BR	G200-DP-SS
2½"	G250-DP-AL	G250-DP-BR	G250-DP-SS
3"	G300-DP-AL	G300-DP-BR	G300-DP-SS
4"	G400-DP-AL	G400-DP-BR	G400-DP-SS
5"	G500-DP-AL ¹	G500-DP-BR ¹	---
6"	G600-DP-AL	---	G600-DP-SS



¹ does not interchange in the ½" and 5" sizes with Dixon® or Boss-Lock™ style cam and groove

Global Type B Coupler x Male NPT

Size	A380 Permanent Mold AL with Brass Handles Part #	ASTMC38000 Forged Brass Part #	316 Investment Cast Stainless Steel Part #	A380 Permanent Mold AL with SS Handles Part #
½"	G50-B-AL ^{1,2}	G50-B-BR ¹	G50-B-SS	---
¾"	G75-B-AL ²	G75-B-BR	G75-B-SS	---
1"	G100-B-AL	G100-B-BR	G100-B-SS	---
1¼"	G125-B-AL	G125-B-BR	G125-B-SS	---
1½"	G150-B-AL	G150-B-BR	G150-B-SS	G150-B-ALSI
2"	G200-B-AL	G200-B-BR	G200-B-SS	G200-B-ALSI
2½"	G250-B-AL	G250-B-BR	G250-B-SS	---
3"	G300-B-AL	G300-B-BR	G300-B-SS	G300-B-ALSI
4"	G400-B-AL	G400-B-BR	G400-B-SS	G400-B-ALSI
5"	G500-B-AL ¹	G500-B-BR ¹	---	---
6"	G600-B-AL	---	G600-B-SS	---



¹ does not interchange in the ½" and 5" sizes with Dixon® or Boss-Lock™ style cam and groove

² supplied with stainless steel handles

Global Type C Coupler x Hose Shank

Size	A380 Permanent Mold AL with Brass Handles Part #	ASTMC38000 Forged Brass Part #	316 Investment Cast Stainless Steel Part #	A380 Permanent Mold AL with SS Handles Part #
½"	G50-C-AL ^{1,2}	G50-C-BR ¹	G50-C-SS	---
¾"	G75-C-AL ²	G75-C-BR	G75-C-SS	---
1"	G100-C-AL	G100-C-BR	G100-C-SS	---
1¼"	G125-C-AL	G125-C-BR	G125-C-SS	---
1½"	G150-C-AL	G150-C-BR	G150-C-SS	G150-C-ALSI
2"	G200-C-AL	G200-C-BR	G200-C-SS	G200-C-ALSI
2½"	G250-C-AL	G250-C-BR	G250-C-SS	---
3"	G300-C-AL	G300-C-BR	G300-C-SS	G300-C-ALSI
4"	G400-C-AL	G400-C-BR	G400-C-SS	G400-C-ALSI
5"	G500-C-AL ¹	G500-C-BR ¹	---	---
6"	G600-C-AL	---	G600-C-SS	---
8"	G800-C-AL ¹	---	---	---



¹ does not interchange in the ½", 5", and 8" sizes with Dixon® or Boss-Lock™ style cam and groove

² supplied with stainless steel handles

Global Type D Coupler x Female NPT



Size	A380 Permanent Mold AL with Brass Handles Part #	ASTMC38000 Forged Brass Part #	316 Investment Cast SS Part #	A380 Permanent Mold AL with SS Handles Part #
1/2"	G50-D-AL ^{1,2}	G50-D-BR ¹	G50-D-SS	---
3/4"	G75-D-AL ²	G75-D-BR	G75-D-SS	---
1"	G100-D-AL	G100-D-BR	G100-D-SS	---
1 1/4"	G125-D-AL	G125-D-BR	G125-D-SS	---
1 1/2"	G150-D-AL	G150-D-BR	G150-D-SS	G150-D-ALSI
2"	G200-D-AL	G200-D-BR	G200-D-SS	G200-D-ALSI
2 1/2"	G250-D-AL	G250-D-BR	G250-D-SS	---
3"	G300-D-AL	G300-D-BR	G300-D-SS	G300-D-ALSI
4"	G400-D-AL	G400-D-BR	G400-D-SS	G400-D-ALSI
5"	G500-D-AL ¹	G500-D-BR ¹	---	---
6"	G600-D-AL	---	G600-D-SS	---

¹ does not interchange in the 1/2" and 5" sizes with Dixon® or Boss-Lock™ style cam and groove
² stainless steel handles

Global Type DC Dust Caps



Size	A380 Permanent Mold AL with Brass Handles Part #	ASTMC38000 Forged Brass Part #	316 Investment Cast SS Part #	A380 Permanent Mold AL with SS Handles Part #
1/2"	G50-DC-AL ^{1,2}	G50-DC-BR ¹	G50-DC-SS	---
3/4"	G75-DC-AL ²	G75-DC-BR	G75-DC-SS	---
1"	G100-DC-AL	G100-DC-BR	G100-DC-SS	---
1 1/4"	G125-DC-AL	G125-DC-BR	G125-DC-SS	---
1 1/2"	G150-DC-AL	G150-DC-BR	G150-DC-SS	G150-DC-ALSI
2"	G200-DC-AL	G200-DC-BR	G200-DC-SS	G200-DC-ALSI
2 1/2"	G250-DC-AL	G250-DC-BR	G250-DC-SS	---
3"	G300-DC-AL	G300-DC-BR	G300-DC-SS	G300-DC-ALSI
4"	G400-DC-AL	G400-DC-BR	G400-DC-SS	G400-DC-ALSI
5"	G500-DC-AL ¹	G500-DC-BR ¹	---	---
6"	G600-DC-AL	---	G600-DC-SS	---

¹ does not interchange in the 1/2" and 5" sizes with Dixon® or Boss-Lock™ style cam and groove
² stainless steel handles

Replacement Handle Assemblies for Global Couplers

For Aluminum and Brass Global Couplers

Features:

- supplied complete with ring and pin
- only to be used on Dixon® global aluminum or brass couplers



Fits on sizes	Investment Stainless Part #
1/2" - 3/4"	G75HRP
1"	G100HRP
1 1/2" and 2"	G152HRPSI
3" and 4"	G34HRPSI
6"	G600HRPSI



Fits on sizes	Forged Brass Part #
1 1/4" - 2 1/2"	G152HRP
3" and 4"	G34HRP
6" and 8"	G600HRP

For Stainless Steel Global Couplers

Feature:

- only to be used on Dixon® global stainless steel couplers



Fits on sizes	Investment Stainless Part #
3/4"	G75HRPSS
1"	G100HRPSS
1 1/4" - 2 1/2"	G125250HRPSS
3" and 4"	G300400HRPSS
6"	G600HRPSS

Safety Clip for Global Couplers



Zinc Plated Carbon Steel
Part #

GSAFETYCLIP

Global Type DD Spool Couplers



Size	A380 Permanent Mold AL Part #	316 Investment Cast SS Part #
2"	G200-DD-AL	G200-DD-SS
3"	G300-DD-AL	G300-DD-SS
4"	G400-DD-AL	G400-DD-SS

Global Type AA Spool Adapters



Size	A380 Permanent Mold AL Part #	316 Investment Cast SS Part #
1"	G100-AA-AL	---
1½"	G150-AA-AL	G150-AA-SS
2"	G200-AA-AL	G200-AA-SS
3"	G300-AA-AL	G300-AA-SS
4"	G400-AA-AL	G400-AA-SS

jump size male spool adapter

Size	A380 Permanent Mold Aluminum Part #	316 Investment Cast SS Part #
1½" x 2"	G1520-AA-AL	---
2" x 3"	G2030-AA-AL	G2030-AA-SS
3" x 4"	G3040-AA-AL	---

Global Jump Size Cam and Groove

male adapter x female NPT



Size	A380 Permanent Mold Aluminum Part #
3" x 2"	G3020-A-AL
4" x 3"	G4030-A-AL

female coupler x hose shank



Size	A380 Permanent Mold Aluminum Part #
3" x 2"	G3020-C-AL
4" x 3"	G4030-C-AL

female coupler x male adapter



Size	A380 Permanent Mold Aluminum Part #	316 Investment Cast SS Part #
3" x 2"	G3020-DA-AL	G3020-DA-SS
3" X 4"	G3040-DA-AL	---
4" x 3"	G4030-DA-AL	G4030-DA-SS
5" x 4"	G5040-DA-AL	---
6" x 4"	G6040-DA-AL	---

male adapter x hose shank

Size	A380 Permanent Mold Aluminum Part #
3" x 2"	G3020-E-AL
4" x 3"	G4030-E-AL

Global Adapter x TTMA Flange



Features:

- interchange with all products produced to A-A-59326D
- made to Dixon® specifications and branded Dixon®
- Buna seals are standard
- pressure rating for adapters is based on the seal of the mating part


Size	356T6 Aluminum Part #
4"	G400-ALT-AL



Size	356T6 Aluminum Part #
4"	G400-DLT-AL

- For flange dimensions, diagrams and additional information please reference dixonvalve.com.

Polypropylene Adapters

 NOT recommended for use with PTFE gaskets

Features:

- manufactured from a glass-filled polypropylene
- maximum operating pressure: **125 PSI** (1/2" - 1"), **100 PSI** (1 1/4" - 2"), **60 PSI** (3") and **50 PSI** (4"); recommendations based on the use of mating Dixon® fittings at an ambient temperature of **70°F (21°C)** with standard seal installed
- 1/2" couplers and adapters will interchange with 3/4" couplers and adapters, only the threads and barbs are 1/2"
- 1 1/4" couplers and adapters will interchange with 1 1/2" couplers and adapters, only the threads and barbs are 1 1/4"
- polypropylene cam and groove should not be mixed with metal fittings

type A		
Size	Polypropylene Part #	Opt Qty
3/4" x 1/2"	PPA50	25
3/4"	PPA75	25
1"	PPA100	10
1 1/2" x 1 1/4"	PPA125	10
1 1/2"	PPA150	10
2"	PPA200	10
3"	PPA300	10
4"	PPA400	10



male adapter x female NPT

type F		
Size	Polypropylene Part #	Opt Qty
3/4" x 1/2"	PPF50	10
3/4"	PPF75	10
1"	PPF100	10
1 1/2" x 1 1/4"	PPF125	10
1 1/2"	PPF150	10
2"	PPF200	10
3"	PPF300	10
4"	PPF400	10



male adapter x male NPT

type E		
Size	Polypropylene Part #	Opt Qty
3/4" x 1/2"	PPE50	10
3/4"	PPE75	10
1"	PPE100	10
1 1/2" x 1 1/4"	PPE125	10
1 1/2"	PPE150	10
2"	PPE200	10
3"	PPE300	10
4"	PPE400	10



male adapter x hose shank

type P ¹		
Size	Polypropylene Part #	Opt Qty
3/4"	PPP75	25
1"	PPP100	10
1 1/2"	PPP150	10
2"	PPP200	10
3"	PPP300	10
4"	PPP400	10



dust plug¹




4" plug has a different design

¹ Dust caps and dust plugs are not to be used in pressure applications for safety and environmental reasons.

Polypropylene Adapter Elbows

Features:

- maximum operating pressure: **100 PSI** (1 1/2" - 2"); recommendations based on the use of mating Dixon® fittings at an ambient temperature of **70°F (21°C)** with standard seal installed
- manufactured from a glass-filled polypropylene
- for use at elevated temperatures or other unusual operating conditions, consult Dixon® 

90° Elbow x FNPT		
Size	Polypropylene Part #	Opt Qty
1 1/2"	90PPA150	10
2"	90PPA200	10



male adapter x female NPT

90° Elbow x MNPT		
Size	Polypropylene Part #	Opt Qty
1 1/2"	90PPF150	10
2"	90PPF200	10



male adapter x male NPT

Polypropylene Couplers



NOT recommended for use with PTFE gaskets

Features:

- manufactured from a glass-filled polypropylene
- supplied with EPDM gaskets, 304 stainless steel handles and pins
- polypropylene cam and groove should not be mixed with metal fittings
- maximum operating pressure: **125 PSI** (½" - 1"), **100 PSI** (1¼" - 2"), **60 PSI** (3") and **50 PSI** (4"); recommendations based on the use of mating Dixon® fittings at an ambient temperature of **70°F (21°C)** with standard seal installed
- ½" couplers and adapters will interchange with ¾" couplers and adapters, only the threads and barbs are ½"
- 1¼" couplers and adapters will interchange with 1½" couplers and adapters, only the threads and barbs are 1¼"
- replacements: gasket use EPR on page 64, key rings use **R200SS** on page 62, safety clip use **GSAFETYCLIP** on page 37



female coupler x female NPT

type D		
Size	Polypropylene Part #	Opt Qty
¾" x ½"	PPD50	10
¾"	PPD75	10
1"	PPD100	10
1½" x 1¼"	PPD125	10
1½"	PPD150	10
2"	PPD200	10
3"	PPD300	10
4"	PPD400²	5



female coupler x male NPT

type B		
Size	Polypropylene Part #	Opt Qty
¾" x ½"	PPB50	10
¾"	PPB75	10
1"	PPB100	10
1½" x 1¼"	PPB125	10
1½"	PPB150	10
2"	PPB200	10
3"	PPB300	5
4"	PPB400²	5



female coupler x hose shank

type C		
Size	Polypropylene Part #	Opt Qty
¾" x ½"	PPC50	10
¾"	PPC75	10
1"	PPC100	10
1½" x 1¼"	PPC125	10
1½"	PPC150	10
2"	PPC200	10
3"	PPC300	5
4"	PPC400²	5



dust cap¹



4" cap has 4 handles

type H ¹		
Size	Polypropylene Part #	Opt Qty
¾"	PPH75	10
1"	PPH100	10
1½"	PPH150	10
2"	PPH200	10
3"	PPH300	10
4"	PPH400²	10

¹ Dust caps and dust plugs are not to be used in pressure applications for safety and environmental reasons.

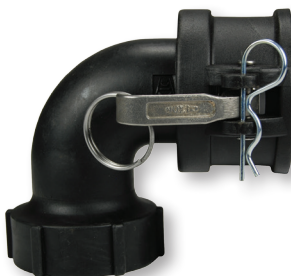
² 4" coupler has 4 handles



Polypropylene Coupler Elbows

Features:

- manufactured from a glass-filled polypropylene
- supplied with EPDM gaskets, 304 stainless steel handles and pins
- maximum operating pressure: **100 PSI** (1½" - 2"); recommendations based on the use of mating Dixon® fittings at an ambient temperature of **70°F (21°C)** with standard seal installed
- for use at elevated temperatures or other unusual operating conditions, consult Dixon®.



female coupler x female NPT

FNPT x 90° Elbow		
Size	Polypropylene Part #	Opt Qty
1½"	90PPD150	10
2"	90PPD200	10



female coupler x hose shank

Hose Shank x 90° Elbow		
Size	Polypropylene Part #	Opt Qty
1½"	90PPC150	10
2"	90PPC200	10

Swaged Cam and Groove

Applications:

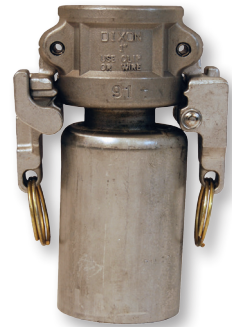
- Developed specifically for chemical transport hoses having Crosslinked Polyethylene (XLPE) or Ultra High Molecular Weight Polyethylene (UHMW) tubes. Swaged Boss-Lock provides you with a permanently attached cam and groove fitting when superior coupling retention is required.

Features:

- in testing tank transport hoses from a wide variety of manufacturers, the swaged Boss-Lock™ fitting proved itself to be the clear winner in overall performance
- also available on special order for other sizes or hose OD's, consult Dixon® for pricing and availability
- special equipment required for installation*, consult Dixon® for more information

EZ Boss-Lock™ type C coupler x hose shank with ferrule

Size	Hose OD		316 Stainless Steel Part #
	from	to	
¾"	1-6/64"	1-22/64"	RC075EZ-70
1"	1-29/64"	1-35/64"	RC100EZ-20
1"	1-36/64"	1-44/64"	RC100EZ-70



Boss-Lock™ type E adapter a hose shank with ferrule

Size	Hose OD		316 Stainless Steel Part #
	from	to	
¾"	1-6/64"	1-22/64"	RE075-1370
1"	1-29/64"	1-35/64"	RE100-1620
1"	1-36/64"	1-44/64"	RE100-1770



Notched Ferrules

Size	Hose OD		304 Stainless Steel Part #
	from	to	
1½"	1-60/64"	2-12/64"	GAS2334NO
1½"	2-4/64"	2-22/64"	GAS2370NO
2"	2-30/64"	2-44/64"	GAS2709NO
2"	2-42/64"	2-54/64"	GAS2885NO
3"	3-30/64"	3-46/64"	GAS3760NO
3"	3-47/64"	3-54/64"	GAS3885NO
4"	4-40/64"	4-47/64"	GAS5010NO



Dixon® stems and ferrules are specifically designed to be used together as a coupling system.

Due to differences in dimensions and tolerances for safety reasons, do not use other manufacturer's stems or ferrules with Holedall™ products.

Notched Cam and Groove

Features:

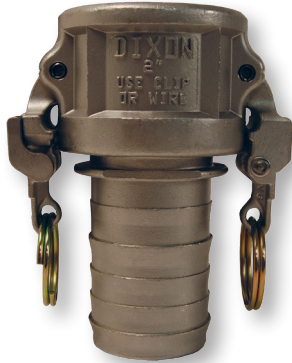
- coupling can be removed from a damaged hose by cutting away the ferrule, without necessarily damaging the fitting, *after inspection of the fitting to determine its suitability for reuse*, it can be reinstalled into another hose by using a *new ferrule*
- system allows you to better manage your inventories, you can stock one coupling and two ferrules, and cover the same hose range with less inventory, *you must purchase a fitting and the matching ferrule to create an assembly*
- for use with notched ferrules on previous page



Dixon® stems and ferrules are specifically designed to be used together as a coupling system. Due to differences in dimensions and tolerances for safety reasons, do not use other manufacturer's stems or ferrules with Dixon® products.

Couplers

EZ Boss-Lock™ type C coupler x notched hose shank

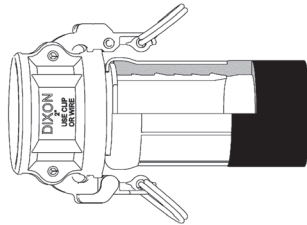


Size	316 Stainless Steel Part #
1½"	RC150EZNO
2"	RC200EZNO
3"	RC300EZNO
4"	RC400EZNO

Boss-Lock™ type C coupler x notched hose shank

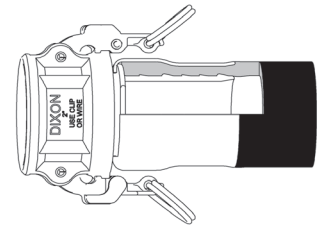


Size	316 Stainless Steel Part #
1½"	RC150BLNO
2"	RC200BLNO
3"	RC300BLNO
4"	RC400BLNO



crimped assembly

Contact Dixon® for swage and crimp recommendations.



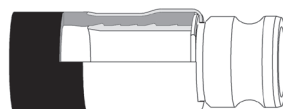
swaged assembly

Adapters

Boss-Lock™ type E adapter x notched hose shank

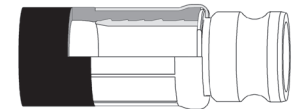


Size	316 Stainless Steel Part #
1½"	RE150NO
2"	RE200NO
3"	RE300NO
4"	RE400NO



swaged assembly

Contact Dixon® for swage and crimp recommendations.



crimped assembly

Dixon® Cam and Groove with Notched NOS Shank

Features:

- system allows you to better manage your inventories, you can stock one stem and two ferrules, and cover the same hose range with less inventory, *you must purchase a fitting and the matching ferrule to create an assembly*
- for hose outside diameters of 2-4/64" and below, *the couplings are crimp only*
- for hose outside diameters of 2-5/64" and above, the couplings can be crimped or swaged
- for use with notched ferrules at bottom of the page



Only use the NOS shank with the NOS ferrules.

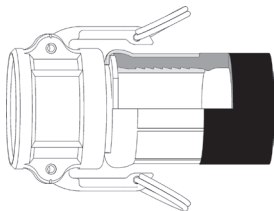
Due to differences in dimensions and tolerances for safety reasons, do not use other manufacturer's stems or ferrules with Dixon® products.

Couplers

Dixon® type C coupler x notched NOS hose shank

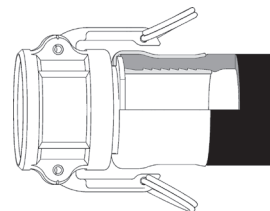
Size	316 Stainless Steel Part #
1½"	150CNOSSS ¹
2"	200CNOSSS
3"	300CNOSSS

¹ part will be discontinued as stock is depleted



crimped assembly

Contact Dixon® for swage and crimp recommendations.



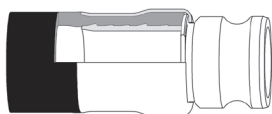
swaged assembly

Adapters

type E adapter x notched NOS hose shank

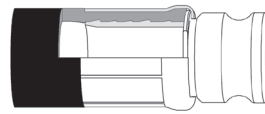
Size	316 Stainless Steel Part #
1½"	150ENOSSS ¹
2"	200ENOSSS
3"	300ENOSSS

¹ part will be discontinued as stock is depleted



swaged assembly

Contact Dixon® for swage and crimp recommendations.



crimped assembly

Notched NOS Ferrules

Size	Hose OD		304 Stainless Steel Part #
	from	to	
1½"	1-60/64"	2-12/64"	GAS2334NOS
1½"	2-4/64"	2-22/64"	GAS2370NOS
2"	2-30/64"	2-44/64"	GAS2709NOS
2"	2-42/64"	2-54/64"	GAS2885NOS
3"	3-30/64"	3-46/64"	GAS3760NOS
3"	3-47/64"	3-54/64"	GAS3885NOS



Dixon® Tank Car Adapters



Stainless steel adapters are not compatible with the aluminum and brass adapters.

Features:

- standard 5" Railroad Tank Car thread
- supplied with a Buna-N gasket in the threaded end, for additional gaskets see pages 65-67



Size	356T6 Aluminum Part #	Brass Part #	Iron Part #	316 Stainless Steel Part #
2"	200-TCA-AL	---	---	200-TCA-SS
3"	300-TCA-AL	300-TCA-BR	300-TCA-MI	300-TCA-SS
4"	400-TCA-AL	400-TCA-BR	---	400-TCA-SS

Features:

- standard 5" Railroad Tank Car thread
- 45° tank car swivel adapter
- unit has a long handle brass swivel nut and a swivel retaining ring
- supplied with a Buna-N gasket in the threaded end, see pages 65-67



Size	356T6 Aluminum Part #
4"	40A-45TCAL

Dixon® Railroad Tank Car Connections

Features:

- all swivel nuts have standard 5" Railroad Tank Car thread
- supplied with a Buna-N gasket in the threaded end, other gaskets available on pages 65-67
- also available in other materials and in 2" and 2½" sizes, consult Dixon® for pricing and availability

Style A

Stainless steel railroad tank car connections are not compatible with aluminum and brass.



Male Adapter	Swivel Nut	Elbow	316 Stainless Steel Part #	Aluminum Part #
3"	5"	120°	RTCA30	---
4"	5"	110°	RTCA40¹	ATCA40

Style F

Features:

- 4" TTMA flange can be bolted to sight glass; API adapter or other dry disconnect
- 110° elbow
- supplied with PTFE Buna-N envelope gasket



TTMA Flange	Swivel Nut	Aluminum Part #
4"	5"	ATCF40¹
4"	5"	ATCF40-90

¹ part is produced as a welded fabrication

Style GF

Features:

- 4" TTMA flange can be bolted to sight glass; API adapter or other dry disconnect
- 110° elbow



TTMA Flange	Boss-lock™ Coupler	Aluminum Part #
4"	4"	ATCGF40
4"	4"	ATCGF40-90

Cam and Groove Screen

Feature:

- stainless steel screen encapsulated in a buna gasket



Size	Hole Size	316L Stainless Steel Part #
4"	1"	400-G-BUSS

Dixon® Railroad Tank Car Connections

Style S

Feature:

- 110° elbow

Shank Size	Swivel Nut	Aluminum Part #
4"	5"	ATCS40



Style T


Features:

- 3" threaded end has a 120° elbow
- 4" threaded end has a 110° elbow

Male NPT	Swivel Nut	Iron Part #	Aluminum Part #
3"	5"	TCT30	ATCT30
4"	5"	TCT40	ATCT40



Style T

Stainless steel railroad tank car connections are not compatible with aluminum and brass. 

Features:

- 3" threaded end has a 120° elbow
- 4" threaded end has a 110° elbow

Male NPT	Swivel Nut	316 Stainless Steel Part #
3"	5"	RTCT30
4"	5"	RTCT40



Dixon® Coupler x Tank Car Thread

Features:

- part is produced as a welded fabrication
- pressure rating is based on the seal of the mating part, see ratings on page 6

Coupler	Male Tank Car Thread	Aluminum Part #
4"	5"	400DWX5TC



EZ Boss-Lock™ x Coupler Tank Car Thread

Features:

- part is produced as a welded fabrication
- pressure rating is based on the seal of the mating part, see ratings on page 6

Coupler	Male Tank Car Thread	Aluminum Part #
4"	5"	AD400ALEZMTC



Cam and Groove x Cam and Groove Elbows

Feature:

- supplied standard with a Buna-N gasket, other gaskets available on pages 65-67

45° Elbows

adapter x coupler



Size	356T6 Aluminum Part #	316 Stainless Steel Part #	Unplated Malleable Iron Part #
2"	200DA-45AL ¹	200DA-45SS ¹	---
3"	300DA-45AL	300DA-45SS ¹	---
4"	400DA-45AL	400DA-45SS ¹	400DA-45MI
6"	600DA-45AL	---	---

¹ parts are produced as a welded fabrication

coupler x coupler



Size	356T6 Aluminum Part #	316 Stainless Steel Part #
2"	200DD-45AL ¹	---
3"	300DD-45AL ¹	300DD-45SS ¹
4"	400DD-45AL	---
6"	600DD-45AL ¹	---

- parts are produced as a welded fabrication

90° Elbows

adapter x coupler



RDA90600EZ

Size	356T6 Aluminum Part #	316 Stainless Steel Part #
1"	---	100DA-90SS ¹
1½"	150DA-90AL ¹	150DA-90SS ¹
2"	200DA-90AL	200DA-90SS
3"	300DA-90AL	300DA-90SS
4"	400DA-90AL	400DA-90SS
5"	500DA-90AL ¹	---
6"	600DA-90AL	RDA90600EZ ^{1,2}

¹ parts are produced as a welded fabrication

² EZ Boss-Lock™ design

coupler x coupler 90° elbow



Size	356T6 Aluminum Part #	316 Stainless Steel Part #
2"	200DD-90AL	---
3"	300DD-90AL ¹	300DD-90SS ¹
4"	400DD-90AL	---
6"	600DD-90AL	---

¹ parts are produced as a welded fabrication

Cam and Groove Elbows

Type A

Feature:

- pressure rating is based on the seal of the mating part, see ratings on page 6

male adapter x female NPT 90° elbow

Size	356T6 Aluminum Part #	316 Stainless Steel Part #
1½"	150A-90AL	---
2"	200A-90AL	200A-90SS ¹
3"	300A-90AL	300A-90SS
4"	400A-90AL	---

- Couplers are supplied standard with a Buna-N gasket



Type D

Feature:

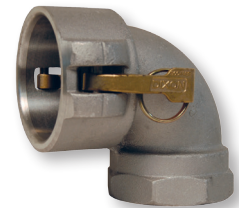
- supplied standard with a Buna-N gasket, other gaskets available on pages 65-67

female coupler x female NPT 90° elbow

Size	356T6 Aluminum Part #	Brass Part #	316 Stainless Steel Part #
1"	---	---	100D-90SS
1¼"	---	125D-90BR	---
1½"	150D-90AL	150D-90BR	---
2"	200D-90AL	200D-90BR	200D-90SS
3"	300D-90AL	---	300D-90SS
4"	400D-90AL	---	400D-90SS ¹
4"	AD90400EZ ²	---	---
6"	600D-90AL	---	---

¹ parts are produced as a welded fabrication

² EZ Boss-Lock™ design (not pictured)



Type E

Feature:

- pressure rating is based on the seal of the mating part, see ratings on page 6

male adapter x hose shank 90° elbow

Size	356T6 Aluminum Part #	316 Stainless Steel Part #
2"	---	200E-90SS ¹
3"	300E-90AL	300E-90SS
4"	400E-90AL	400E-90SS ¹

¹ parts are produced as a welded fabrication



Type C

Feature:

- supplied standard with a Buna-N gasket, other gaskets available on pages 65-67

female coupler x hose shank 90° elbow

Size	356T6 Aluminum Part #	Brass Part #	316 Stainless Steel Part #
1¼"	---	125C-90BR	---
½"	150C-90AL	---	150C-90SS
2"	200C-90AL	200C-90BR	200C-90SS
3"	300C-90AL	---	300C-90SS
4"	400C-90AL	---	400C-90SS ¹
6"	600C-90AL	---	---

¹ part is produced as a welded fabrication



Cam and Groove Elbows Type F



Feature:

- pressure rating is based on the seal of the mating part, see ratings on page 6

male adapter x male NPT 90° elbow

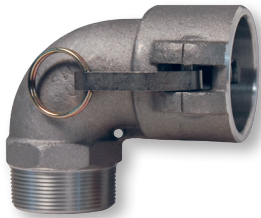
Size	356T6 Aluminum	316 Stainless Steel
	Part #	Part #
1½"	150F-90AL	---
2"	200F90AL	200F-90SS ¹
3"	---	300F-90SS ¹

¹ parts are produced as a welded fabrication

Type B

Feature:

- supplied standard with a Buna-N gasket, other gaskets available on pages 65-67



female coupler x male NPT 90° elbow

Size	356T6 Aluminum	316 Stainless Steel
	Part #	Part #
1½"	150B-90AL	---
2"	200B-90AL	200B-90SS ¹
3"	---	300B-90SS ¹

¹ parts are produced as a welded fabrication

Reducing Cam and Groove Couplings

Type A

Feature:

- pressure rating is based on the seal of the mating part, see ratings on page 6



male adapter x female NPT

Size	356T6 Aluminum	Opt Qty	316 Stainless Steel	Opt Qty
	Part #		Part #	
2" x 1½"	2015-A-AL	---	2015-A-SS ¹	--
2" x 3"	2030-A-AL	10	2030-A-SS	10
3" x 2"	3020-A-AL	5	3020-A-SS	10
3" x 4"	3040-A-AL	10	---	--
4" x 3"	4030-A-AL	10	4030-A-SS ¹	--
4" x 6"	4060-A-AL	5	---	--
6" x 4"	6040-A-AL	5	6040-A-SS ¹	--

¹ parts are produced as a welded fabrication

Type D

Feature:

- supplied standard with a Buna-N gasket, other gaskets available on pages 65-67



female coupler x female NPT

Size	356T6 Aluminum	Opt Qty	Brass	316 Stainless Steel
	Part #		Part #	Part #
1½" x 1"	1510-D-AL	10	---	1510-D-SS ¹
2" x 1½"	2015-D-AL	10	---	2015-D-SS
3" x 2"	3020-D-AL	10	---	3020-D-SS
4" x 3"	4030-D-AL	10	4030-D-BR	4030-D-SS ¹
5" x 4"	5040-D-AL ¹	---	---	---
6" x 4"	6040-D-AL ¹	---	---	---

¹ parts are produced as a welded fabrication

Reducing Cam and Groove Couplings

In reducing couplings, the cam and groove end is the first size given in the part number i.e., a 4030-B-AL is a 4" coupler to a 3" male NPT).

Type E

Feature:

- pressure rating is based on the seal of the mating part, see ratings on page 6

male adapter x hose shank

Size	356T6 Aluminum Part #	Opt Qty	316 Stainless Steel Part #
1½" x 1"	---	---	1510-E-SS
2" x 1½"	2015-E-AL ¹	---	2015-E-SS ¹
3" x 2"	---	---	3020-E-SS ¹
3" x 2½"	---	---	3025-E-SS
4" x 3"	4030-E-AL	10	4030-E-SS ¹
5" x 4"	5040-E-AL ¹	---	---



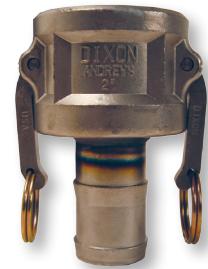
Type C

Feature:

- supplied standard with a Buna-N gasket, other gaskets available on pages 65-67

female coupler x hose shank

Size	356T6 Aluminum Part #	Opt Qty	316 Stainless Steel Part #
1½" x 1"	---	---	1510-C-SS
2" x 1½"	2015-C-AL ¹	---	2015-C-SS ¹
3" x 2"	3020-C-AL	10	3020-C-SS
3" x 2½"	---	---	3025-C-SS
3" x 4"	3040-C-AL	5	---
4" x 3"	4030-C-AL	5	4030-C-SS ¹
5" x 4"	5040-C-AL ¹	---	---



¹ parts are produced as a welded fabrication

Type F

Feature:

- pressure rating is based on the seal of the mating part, see ratings on page 6

male adapter x male NPT

Size	356T6 Aluminum Part #	Opt Qty	316 Stainless Steel Part #
1½" x 2"	1520-F-AL	---	---
2" x 1½"	2015-F-AL	---	2015-F-SS ¹
2" x 3"	2030-F-AL	---	---
3" x 1½"	3015-F-AL	10	3015-F-SS ¹
3" x 2"	3020-F-AL	10	3020-F-SS
3" x 4"	3040-F-AL	10	---
4" x 3"	4030-F-AL	10	4030-F-SS



¹ parts are produced as a welded fabrication

Type B

Feature:

- supplied standard with a Buna-N gasket, other gaskets available on pages 65-67

female coupler x male NPT

Size	356T6 Aluminum Part #	Opt Qty	316 Stainless Steel Part #
1½" x 1"	1510-B-AL	10	1510-B-SS ¹
2" x 1½"	2015-B-AL	10	2015-B-SS ¹
2" x 3"	2030-B-AL	---	---
3" x 2"	3020-B-AL	10	3020-B-SS ¹
3" x 4"	3040-B-AL	10	---
4" x 3"	4030-B-AL	5	4030-B-SS ¹



¹ parts are produced as a welded fabrication

Dixon® Reducing Cam and Groove Couplings

In reducing cam and groove couplings, the coupler is the first size in the part number; (i.e., a 4030-DA-AL is a 4" coupler to a 3" adapter).

Feature:

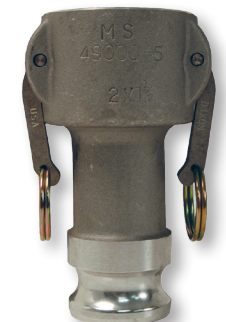
- supplied standard with a Buna-N gasket, other gaskets available on pages 65-67



3" coupler x 1½" adapter



4" coupler x 6" adapter



3" coupler x 2½" adapter




5" coupler x 6" adapter

coupler x adapter

Size	356T6 Aluminum Part #	Opt Qty	316 Stainless Steel Part #
1" x 1½"	1015-DA-AL ¹	---	1015-DA-SS ¹
1½" x 1"	1510DAAL	---	1510-DA-SS ¹
1½" x 2"	1520-DA-AL	10	1520-DA-SS
2" x 1"	2010-DA-AL	---	2010-DA-SS
2" x 1½"	2015-DA-AL	10	2015-DA-SS
2" x 2½"	2025-DA-AL ¹	---	2025-DA-SS ¹
2" x 3"	2030-DA-AL	5	2030-DA-SS
2" x 4"	2040-DA-AL	---	2040-DA-SS ¹
2½" x 2"	---	---	2520-DA-SS ¹
2½" x 3"	---	---	2530-DA-SS ¹
3" x 1½"	3015-DA-AL	---	3015-DA-SS ¹
3" x 2"	3020-DA-AL	10	3020-DA-SS
3" x 2½"	3025-DA-AL ¹	---	3025-DA-SS ¹
3" x 4"	3040-DA-AL	5	3040-DA-SS
3" x 6"	3060-DA-AL ¹	---	3060-DA-SS ¹
4" x 2"	4020-DA-AL	5	4020-DA-SS ¹
4" x 2½"	4025-DA-AL	---	4025-DA-SS ¹
4" x 3"	4030-DA-AL	5	4030-DA-SS
4" x 5"	4050-DA-AL	2	---
4" x 6"	4060-DA-AL	2	4060-DA-SS ¹
5" x 3"	5030-DA-AL ¹	2	5030-DA-SS ¹
5" x 4"	5040-DA-AL	2	5040-DA-SS ¹
5" x 6"	5060-DA-AL ¹	---	5060-DA-SS
6" x 3"	6030-DA-AL	2	6030-DA-SS ¹
6" x 4"	6040-DA-AL	2	6040-DA-SS
6" x 5"	6050-DA-AL	---	6050-DA-SS ¹
8" x 6"	8060-DA-AL ^{1,2}	---	---

¹ parts are produced as a welded fabrication

² The 8" coupler only has 2 cam arms and *only interchanges with Dixon® adapters.* 

coupler x adapter

Size	Brass Part #	Opt Qty	Unplated Malleable Iron Part #	Opt Qty
3" x 2"	3020-DA-BR	10	3020-DA-MI	10
3" x 4"	3040-DA-BR	5	---	---
4" x 3"	4030-DA-BR	2	4030-DA-MI	---
6" x 4"	6040-DA-BR	---	6040-DA-MI	---

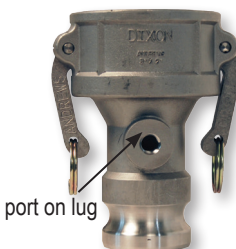
Coupler x Adapter with Port



port on lug

Size	Port	316 Stainless Steel Part #
3" x 3"	¼"	300DAT25SS
3" x 3"	⅜"	300DAT38SS
3" x 3"	½"	300DAT50SS
3" x 3"	¾"	300DAT75SS

Reducing Coupler x Adapter with Port



port on lug

Size	Port	316 Stainless Steel Part #
3" x 2"	¼"	3020DAT25SS
3" x 2"	⅜"	3020DAT38SS
3" x 2"	½"	3020DAT50SS
3" x 2"	¾"	3020DAT75SS

Boss-Lock™ Reducing Cam and Groove Couplings

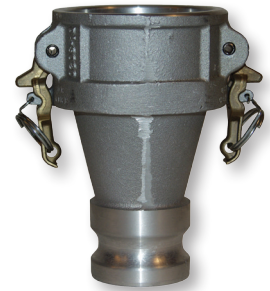
In reducing cam and groove couplings, the coupler is the first size in the part number; (i.e., a ADA4030 is a 4" coupler to a 3" adapter).

Feature:

- supplied standard with a Buna-N gasket, other gaskets available on pages 65-67

coupler x adapter

Size	356T6 Aluminum Part #	316 Stainless Steel Part #	Opt Qty
2" x 3"	ADA2030 ¹	RDA2030BL ¹	10
2½" x 2"	ADA2520 ¹	---	--
2½" x 3"	ADA2530 ¹	---	--
3" x 2"	ADA3020	RDA3020BL	10
3" x 4"	ADA3040 ¹	RDA3040BL ¹	10
4" x 2"	ADA4020 ¹	RDA4020BL ¹	10
4" x 3"	ADA4030	RDA4030BL	10
6" x 4"	ADA6040 ¹	---	--
8" x 6"	ADA8060 ^{1,2}	---	--



- !** ¹ parts are produced as a welded fabrication
² The 8" coupler only interchanges with 8" Boss-Lock™ couplings.

EZ Boss-Lock™ Reducing Cam and Groove Couplings

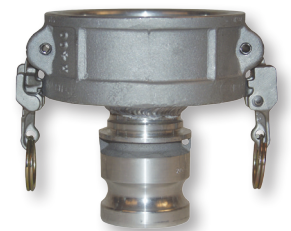
In reducing cam and groove couplings, the coupler is the first size in the part number; (i.e., a ADA4030EZ is a 4" coupler to a 3" adapter).

Feature:

- supplied standard with a Buna-N gasket, other gaskets types available on pages 65-67

coupler x adapter

Size	356T6 Aluminum Part #	316 Stainless Steel Part #
2" x 3"	ADA2030EZ ¹	RDA2030EZ ¹
3" x 2"	ADA3020EZ	RDA3020EZ
3" x 4"	ADA3040EZ ¹	RDA3040EZ ¹
4" x 2"	ADA4020EZ ¹	RDA4020EZ ¹
4" x 3"	ADA4030EZ	RDA4030EZ
6" x 4"	ADA6040EZ ¹	RDA6040EZ



- ¹ parts are produced as a welded fabrication

Dixon® Lockable Dust Caps

Features:

- supplied standard with a Buna-N gasket, other gaskets available on pages 65-67
- Dust caps and dust plugs are not to be used in pressure applications for safety and environmental reasons.



Size	356T6 Aluminum Part #	Opt Qty	Brass Part #	Opt Qty
1½"	150DC-LAL	10	150DC-LBR	10
2"	200DC-LAL	10	200DC-LBR	10
3"	300DC-LAL	10	300DC-LBR	10
4"	400DC-LAL	10	---	---
6"	600DC-LAL	2	---	---



Feature:

- angled, ergonomic thumb release

Size	316 Stainless Steel Part #
1½"	150DC-LSS
2"	200DC-LSS
3"	300DC-LSS
4"	400DC-LSS



Dixon® Spool Adapters

Feature:

- pressure rating is based on the seal of the mating part, see ratings on page 6
adapter x adapter



increaser / reducer



same size

Size	356T6 Aluminum Part #	316 Stainless Steel Part #
1"	---	100-AA-SS
1¼"	---	125-AA-SS ¹
1½"	150-AA-AL	150-AA-SS
1½" x 2"	1520-AA-AL	1520-AA-SS
2"	200-AA-AL	200-AA-SS
2" x 3"	2030-AA-AL	2030-AA-SS
2" x 4"	2040-AA-AL	2040-AA-SS ¹
2½" x 3"	2530-AA-AL ¹	2530-AA-SS ¹
2½" x 4"	2540-AA-AL ¹	---
3"	300-AA-AL	300-AA-SS
3" x 4"	3040-AA-AL	3040-AA-SS ¹
4"	400-AA-AL	400-AA-SS
4" x 5"	4050-AA-AL	---
4" x 6"	4060-AA-AL	4060-AA-SS ¹
5"	500-AA-AL ¹	500-AA-SS ¹
5" x 6"	5060-AA-AL ¹	---
6"	600-AA-AL	600-AA-SS ¹
Size	<i>Brass</i>	
	Part #	
2"	200-AA-BR	
3"	300-AA-BR	

¹ parts are produced as a welded fabrication

Dixon® Spool Couplers

Feature:

- supplied standard with a Buna-N gasket, other gaskets available on pages 65-67
coupler x coupler



increaser / reducer



same size

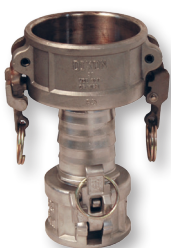
Size	356T6 Aluminum Part #	316 Stainless Steel Part #
1½"	---	150-DD-SS ¹
2"	200-DD-AL	200-DD-SS
2" x 3"	2030-DD-AL	2030-DD-SS
3"	300-DD-AL	300-DD-SS
3" x 4"	3040-DD-AL	3040-DD-SS ¹
4"	400-DD-AL	400-DD-SS
4" x 5"	4050-DD-AL ¹	4050-DD-SS ¹
4" x 6"	4060-DD-AL ¹	4060-DD-SS
5"	500-DD-AL ¹	500-DD-SS
6"	600-DD-AL	---

¹ parts are produced as a welded fabrication

Boss-Lock™ Spool Couplers

Feature:

- supplied standard with a Buna-N gasket, other gaskets available on pages 65-67
coupler x coupler



reducer / increaser



same size

Size	356T6 Aluminum Part #	316 Stainless Steel Part #
2"	ADD200 ¹	RDD200EZ
2" x 3"	ADD2030 ¹	RDD2030EZ ¹
3"	ADD300 ¹	RDD300EZ ¹
3" x 4"	ADD3040 ¹	RDD3040EZ ¹
4"	ADD400 ¹	RDD400EZ ¹
6"	---	RDD600EZ ¹

¹ parts are produced as a welded fabrication

Adapters and Couplers x 150# Flanged Drilling

Features:

- aluminum and unplated iron flanges are flat faced
- stainless steel flanges are raised face

Dixon® adapter x 150# flange

Size	356T6 Aluminum Part #	Flange Thick.	Unplated Malleable Iron Part #	Flange Thick.	316 Stainless Steel Part #	Flange Thick.
1"	---	—	---	—	100-AL-SS	9/16"
1½"	---	—	---	—	150-AL-SS	11/16"
2"	200-AL-AL	¾"	---	—	200-AL-SS	7/16"
3"	300-AL-AL	⅝"	300-AL-MI	⅝"	300-AL-SS	7/16"
4"	400-AL-AL	⅝"	---	—	400-AL-SS	7/16"
6"	600-AL-AL	⅝"	---	—	600-AL-SS	⅝"
8"	800-AL-AL ¹	1⅛"	---	—	---	---

¹ part is produced as a welded fabrication



Feature:

- global product made to Dixon® specifications

Global Dixon® adapter x 150# ANSI flange

Size	316 Stainless Steel Part #	Flange Thickness
2"	200-AL-SSANSI	¾"
3"	300-AL-SSANSI	15/16"



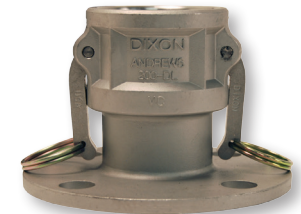
Feature:

- supplied standard with a Buna-N gasket, other gaskets available on pages 65-67

Dixon® coupler x 150# flange

Size	356T6 Aluminum Part #	Flange Thickness	316 Stainless Steel Part #	Flange Thickness
1"	---	---	100-DL-SS	21/32"
1½"	---	---	150-DL-SS	25/32"
2"	200-DL-AL	3/4"	200-DL-SS	7/16"
3"	300-DL-AL	15/16"	300-DL-SS	7/16"
4"	400-DL-AL	15/16"	400-DL-SS	7/16"
6"	600-DL-AL	1"	600-DL-SS	⅝"
8"	800-DL-AL ¹	1-1/8"	---	---

¹ part is produced as a welded fabrication



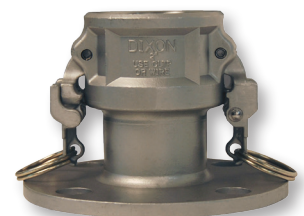
Feature:

- supplied standard with a Buna-N gasket, other gaskets available on pages 65-67

EZ Boss-Lock™ coupler x 150# flange

Size	316 Stainless Steel Part #	Flange Thickness
1"	RDL100EZ ¹	9/16"
1½"	RDL150EZ ¹	11/16"
2"	RDL200EZ	7/16"
3"	RDL300EZ ¹	7/16"
4"	RDL400EZ ¹	7/16"
6"	RDL600EZ ¹	1"

¹ part is produced as a welded fabrication



In-Line Sight Glass for Bulk Transfer

Applications:

- designed for dry bulk transfer hose
- not intended for liquid service, for dry bulk transfer *only*



Materials:

- aluminum body, Buna seals, acrylic sight glasses, stainless steel hardware and bronze cam arms (where applicable)

	coupler x adapter	adapter x adapter	coupler x coupler
Size	Part #	Part #	Part #
3" x 3"	3533CA	3533AA	3533CC
3" x 4"	3534CA	3534AA	---
4" x 3"	3543CA	---	3543CC
4" x 4"	3544CA	3544AA	3544CC



Specialty Items



coupler x adapter wye

Size	356T6 Aluminum Part #
2"	200YDAAAL



tank truck flanged tee

Size	356T6 Aluminum Part #
4"	400-TLT-AL

- some parts have a colored anodized surface finish

TTMA Series Flange Adapters

Application:

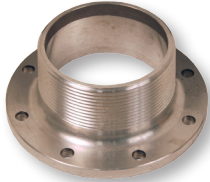
- provides an easy way to quickly convert threaded components to a standard TTMA flange configuration

Features:

- solid cast lightweight aluminum design is more durable than welded fabrications
- design improves flow through adapter even on the 3" reducer
- compact size reduces the overall space needed to install

Male Threaded

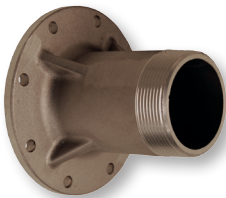
TTMA flange x standard male NPT



TTMA Flange	Male NPT	Aluminum Part #
3"	3"	TTF3AL-3MT
4"	3"	TTF4AL-3MT
4"	4"	TTF4AL-4MT

Extended Length - Male Threaded

TTMA flange x extended length male NPT



TTMA Flange	Male NPT	Aluminum Part #
4"	3"	TTF4AL-3EMT
4"	4"	TTF4AL-4EMT

Female Threaded

TTMA flange x female NPT



TTMA Flange	Female NPT	Aluminum Part #
4"	3"	TTF4AL-3FT
4"	4"	TTF4AL-4FT

Slip-on

TTMA flange x slip-on



TTMA Flange	Pipe Size	Aluminum Part #
4"	4"	TTF400SP

TTMA Flange Extensions

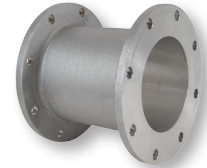
Applications:

- used on load arms to connect an API load coupler to a load arm

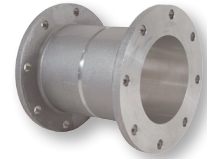
Features:

- adds a 6" space between the load arm and the tank truck
- extension with groove provides a specified parting point to prevent excessive damage to the loading arm

Size	Description	Aluminum Part #
4"	TTMA flange extension	TETF4AL
4"	TTMA flange extension with groove	TETFG4AL
4"	TTMA flange extension with 1/2" female NPT port	TETF4ALFP50



TETF4AL



TETFG4AL

Dixon® Adapters and Couplers x Round Tank Truck Flange

Features:

- aluminum flanges have a flat face, stainless flanges have a raised face
- pressure rating is based on the seal of the mating part, see ratings on page 6

adapter x round tank truck flange

Size	356T6 Aluminum Part #	316 Stainless Steel Part #
3"	300-ALT-AL	300-ALT-SS ¹
3" x 4"	3040ALTAL	---
4"	400-ALT-AL	400-ALT-SS ¹
6"	600-ALT-AL	---

¹ parts are produced as a welded fabrication



Feature:

- supplied standard with a Buna-N gasket, other gaskets available on pages 65-67

coupler x round tank truck flange

Size	356T6 Aluminum Part #
3"	300-DLT-AL
3" x 4"	3040DLTAL
4"	400-DLT-AL
6"	600-DLT-AL



Dixon® 22½° Adapters and Couplers x Round Tank Truck Flange

Feature:

- pressure rating is based on the seal of the mating part, see ratings on page 6

22½° adapter x round tank truck flange

Size	356T6 Aluminum Part #
4"	40022ALTAL



Feature:

- supplied standard with a Buna-N gasket, other gaskets available on pages 65-67

22½° coupler x round tank truck flange

Size	356T6 Aluminum Part #
4"	40022DLTAL



Round Tank Truck Flange Gaskets (TTMA)

Size	OD	ID	Thick.	Material	Part #
3"	5 5/8"	3 1/2"	1/8"	Cork / Buna	300GTTFCB
3"	5 5/8"	3 1/2"	1/16"	PTFE envelope with Klinger filler	300GTTFTK
3"	5 5/8"	3 1/2"	1/8"	Klingersil® C-4401	300GTTFK
3"	5 7/8"	3 1/2"	1/4"	PTFE with fiber core	40321TF
4"	6 5/8"	4-9/16"	1/8"	Cork / Buna	400GTTFCB
4"	6 5/8"	4-9/16"	1/16"	PTFE envelope with Klinger filler	400GTTFTK
4"	6 5/8"	4-9/16"	1/8"	Klingersil® C-4401	400GTTFK
4"	6 7/8"	4-9/16"	1/4"	PTFE with fiber core	40322TF



Dixon® Vapor Recovery Couplers

- not intended for liquid service, for vapor recovery *only*



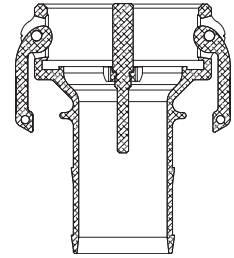
Features:

- cast aluminum body
- bronze arms with stainless steel pins
- plated carbon steel finger rings
- Buna-N gasket



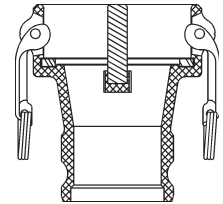
coupler with probe x hose shank

Coupler Size	Hose Shank Size	356T6 Aluminum Part #
4"	3"	4030-CVR-AL
4"	4"	400-CVR-AL



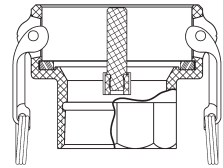
coupler with probe x adapter

Coupler Size	Adapter Size	356T6 Aluminum Part #
4"	3"	4030-DAVR-AL



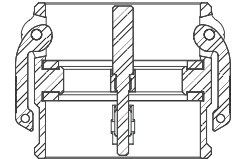
coupler with probe x female NPT

Coupler Size	Female NPT Size	356T6 Aluminum Part #
4"	3"	4030-DVR-AL
4"	4"	400-DVR-AL



coupler with probe x coupler with probe

Coupler Size	Coupler Size	356T6 Aluminum Part #
4"	4"	400-DDVR-AL



Dixon Bayco Vapor Recovery Couplers

Applications:

- for use with 3" vapor hose
- not intended for liquid service, for vapor recovery *only*



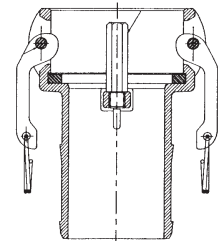
Features:

- cast aluminum body, bronze arms with stainless steel pins and finger rings
- Buna-N gasket
- Dixon® replacement handle assemblies will not work on these fittings, contact Dixon® for replacements.



coupler with probe x hose shank

Coupler Size	Hose Shank Size	Aluminum Part #
3"	3"	VR3000AL

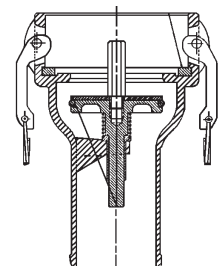


Feature:

- VR4030CS-AL has an FKM O-ring poppet seal

coupler with poppet and probe x hose shank

Coupler Size	Hose Shank Size	Aluminum Part #
4"	3"	VR4030CS-AL¹
4"	4"	VR4040CS-AL



¹ interchanges with all competitor vapor valves *except* Civacon #633LVH (special bulb design).



Dixon® Butt Weld to Tube Cam and Groove

Application:

- designed to be butt welded to standard sanitary tubing

Feature:

- investment casting

adapter x butt weld to tube end

Size	316 Stainless Steel Part #
1"	RE100BT
1½"	RE150BT
2"	RE200BT
3"	RE300BT



Boss-Lock™ coupler x butt weld to tube end

Size	316 Stainless Steel Part #
1"	RC100BT
1½"	RC150BT
2"	RC200BT
3"	RC300BT



Dixon® Adapters for Welding

Feature:

- not all configurations are stocked
- line drawings are for reference only, consult Dixon® for specific dimensions
- final weld preparation, as with all weld fittings, is the responsibility of the welder



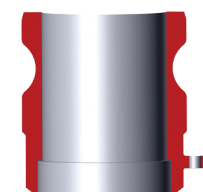
socket weld to schedule 40 pipe

Size	Bore	356T6 Aluminum Part #	316 Stainless Steel Part #
¾"	1.065	---	75AWSPSS
1"	1.330	---	100AWSPSS
1½"	1.915	150AWSPAL	150AWSPSS
2"	2.390	200AWSPAL	200AWSPSS
3"	3.530	300AWSPAL	300AWSPSS
4"	4.530	400AWSPAL	400AWSPSS
5"	5.593	500AWSPAL	500AWSPSS
6"	6.655	600AWSPAL	600AWSPSS
8" DIX	8.711	800AWSPAL ¹	---
8" BL	8.711	801AWSPAL ¹	---



butt weld to schedule 40 pipe / socket weld to nominal OD tubing

Size	Bore	356T6 Aluminum Part #	316 Stainless Steel Part #
¾"	.765	---	75AWBPSTSS
1"	1.015	---	100AWBPSTSS
1½"	1.515	150AWBPSTAL	150AWBPSTSS
2"	2.015	200AWBPSTAL	200AWBPSTSS
3"	3.015	300AWBPSTAL	300AWBPSTSS
4"	4.015	400AWBPSTAL	400AWBPSTSS
5"	5.015	500AWBPSTAL	500AWBPSTSS
6"	6.020	600AWBPSTAL	600AWBPSTSS
8" BL	8.035	801AWBPSTAL ¹	---

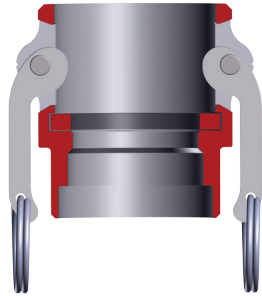


¹ Dixon® and Boss-Lock™ cam and groove couplings do not interchange in the 8" size.

Dixon® Couplers for Welding

Features:

- not all configurations are stocked
- Boss-Lock™ versions are also available, consult Dixon® for pricing and availability
- line drawings are for reference only, consult Dixon® for specific dimensions
- final weld preparation, as with all weld fittings, is the responsibility of the welder

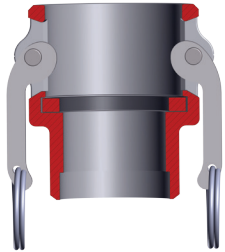


socket weld to schedule 40 pipe

Size	Bore	356T6 Aluminum Part #	316 Stainless Steel Part #
3/4"	1.065	---	75DWSPSS
1"	1.330	100DWSPAL	100DWSPSS
1½"	1.915	150DWSPAL	150DWSPSS
2"	2.390	200DWSPAL	200DWSPSS
3"	3.530	300DWSPAL	300DWSPSS
4"	4.530	400DWSPAL	400DWSPSS
5"	5.562	500DWSPAL	500DWSPSS
6"	6.655	600DWSPAL	600DWSPSS
8"	8.711	800DWSPAL ¹	---



¹ Dixon® and Boss-Lock™ cam and groove couplings do not interchange in the 8" size. The 8" Dixon® design has 4 cam arms.

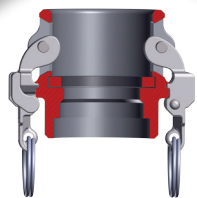


butt weld to schedule 40 pipe / socket weld to nominal OD tubing

Size	Bore	356T6 Aluminum Part #	316 Stainless Steel Part #
3/4"	.765	---	75DWPSTSS
1"	1.015	---	100DWPSTSS
1½"	1.515	150DWPSTAL	150DWPSTSS
2"	2.015	200DWPSTAL	200DWPSTSS
3"	3.015	300DWPSTAL	300DWPSTSS
4"	4.015	400DWPSTAL	400DWPSTSS
5"	5.015	500DWPSTAL	---
6"	6.020	600DWPSTAL	---

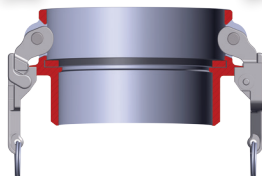
EZ Boss-Lock™ Couplers for Welding

socket weld to schedule 40 pipe



Size	Bore	316 Stainless Steel Part #
3/4"	1.065	RDWSP075EZ
1"	1.330	RDWSP100EZ
1½"	1.915	RDWSP150EZ
2"	2.390	RDWSP200EZ
3"	3.530	RDWSP300EZ
4"	4.530	RDWSP400EZ
6"	6.655	RDWSP600EZ

butt weld to schedule 40 pipe / socket weld to nominal OD tubing



Size	Bore	316 Stainless Steel Part #
3/4"	.765	RDWPST075EZ
1"	1.015	RDWPST100EZ
1½"	1.515	RDWPST150EZ
2"	2.015	RDWPST200EZ
3"	3.015	RDWPST300EZ
4"	4.015	RDWPST400EZ
6"	6.020	RDWPST600EZ

Dixon® Standard Handle Assemblies

Features:

- stainless steel pins standard with all assemblies
- roll pins are 302 stainless and solid pins are 303 stainless
- pull rings are standard on sizes 1¼" thru 6", pull rings are optional on other sizes
- domestic Dixon® standard handle assemblies are to only be used with standard Dixon® parts (not global)



Coupler Size	Description	Brass Part #	316 Sintered Stainless Steel Part #	316 Investment Stainless Steel Part #
½"	cam arm and pin	---	50-HP-SP	---
¾"	cam arm and pin	---	75-HP-SP	---
1"	cam arm and pin	---	100-HP-SP	---
1¼" - 2½"	cam arm, ring and pin	200-HRP-BR	200-HRP-SP	---
2"	cam arm, ring and pin	---	---	200-HSCR-P-SI
3"	cam arm, ring and pin	---	---	300-HSCR-P-SI
3" - 5"	cam arm, ring and pin	300-HRP-BR	300-HRP-SP	---
6"	cam arm, ring and pin	600-HRP-BR	---	600-HRP-SI
8"	cam arm and pin for new coupler design	800-HNP-BR	---	---

Locking Handle for Dixon® Dust Caps

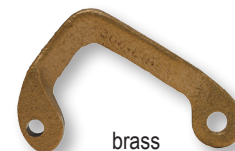
Feature:

- not supplied with pins

Coupler Size	Hole Diameter	Brass Part #	316 Investment Stainless Steel Part #
2"	9/32"	200-LH-BR	200-LH-SI
3"	5/16"	300-LH-BR	300-LH-SI
4"	3/8"	400-LH-BR	400-LH-SI



stainless steel



brass

Paddle Handle for Dixon® Couplings

Feature:

- not supplied with pins

Coupler Size	Brass Part #
3" and 4"	300H-PADBR

Coupler Size	316 Investment Cast Stainless Steel Part #
3" and 4"	300H-PADSS



Boss-Lock™ Standard Handle Assemblies

assembly includes cam arm, pin and pull ring safety clip

Coupler Size	Brass Part #	316 Investment Cast Stainless Steel Part #	Plated Iron Part #
¾" - 1"	BHSC175	RHSC175	---
1¼" - 2½"	BHSC152	RHSC152	IHSC152
3" and 4"	BHSC34	RHSC34	IHSC34



assembly includes cam arm, pin and pull ring

Coupler Size	Brass Part #	Plated Iron Part #
6" and 8"	BH6	IH6




EZ Boss-Lock™ Handles

Features:

- investment cast stainless steel cam arm and lever
- 316 stainless steel spring
- stainless steel pin, washer, plated carbon steel pull ring



Coupler Size	316 Stainless Steel Part #
3/4" - 1"	RHEZ175
1 1/4" - 2 1/2"	RHEZ152
3" and 4"	RHEZ34
6" and 8"	RHEZ6

Under no circumstances should the EZ Boss-Lock™ cam arms be used on any fitting not specifically produced for their use. The aluminum, brass and iron are made from sand castings. To ensure proper functioning of the EZ Boss-Lock™ cam arm assemblies, we sort the castings to ensure there is sufficient length and orientation on the lugs on the main casting to engage the lever. We also buff or grind the rougher sand cast surface to ensure that the lever will move freely. The EZ Boss-Lock™ cam arms cannot be retrofitted onto existing aluminum, brass or plated iron Boss-Lock™ already in service. 

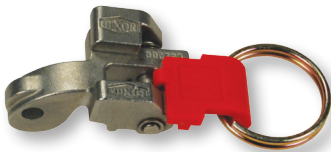
Vent-Lock™ Handles

Dixon® Handle / Ring / Pin



Coupler Size	316 Stainless Steel Part #
1"	L100-HSCR-P-SI
1 1/4" - 2"	L200-HSCR-P-SI

EZ Boss-Lock® Handle / Ring / Pin



Coupler Size	316 Stainless Steel Part #
1"	LRHEZ175
1 1/4" - 2"	LRHEZ152
3"	LRHEZ34

EZLink™ Replacement Kits

Feature:

- kit contains: 2 pins, 2 springs and 2 tabs



Size	A356 Aluminum Part #
2"	EZL200RPLKIT
3" and 4"	EZL300RPLKIT

Pull Ring Safety Clips for EZLink™ Couplings



Carbon Steel Part #
EZLCL400

Replacement Gaskets



Size	Buna-N Part #	Fluorosilicone Part #	Viton™ Part #
2"	EZL200-G-BU	EZL200-G-FV	EZL200-G-VI
3"	EZL300-G-BU	EZL300-G-FV	EZL300-G-VI
4"	EZL400-G-BU	EZL400-G-FV	EZL400-G-VI

Witches Hat Strainers

Features:

- used with female cam and groove couplings
- pre-attached Buna-N gasket

Size	304 Stainless Steel Part #	Buna-N Gasket Part #
3"	WH300-A	WH300-G
4"	WH400-A	WH400-G

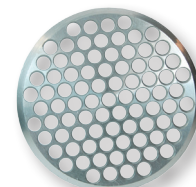


Disk Strainers

Features:

- threads into bottom of female NPT fitting to protect equipment from large contaminants
- 304 stainless steel parts are investment castings

Size	Hole Size	6061T6 Aluminum Part #	304 Stainless Steel Part #
2"	1/4"	SDA200	SDS200
3"	1/4"	SDA300	SDS300
4"	1/4"	SDA400	SDS400



Pull Ring Safety Clips for Boss-Lock™ Couplings

Coupler Size	Carbon Steel Part #	316 Stainless Steel Part #
3/4" - 1"	---	100PRSCSS
1 1/4" - 2 1/2"	200PRSCCS	200PRSCSS
3" and 4"	300PRSCCS	300PRSCSS



Stainless Steel Pull Ring

304 Stainless Steel Part #
R200SS



Clips and Lanyards for Boss-Lock™ Couplings

Features:

- carbon steel clip
- nylon lanyard

Coupler Size	Part #
3/4" - 1"	ACL4
1 1/4" - 4"	ACL2



Features:

- carbon steel clip
- no lanyard supplied with this clip

Coupler Size	Part #
6"	ACL3



Bottle Opener

Brass Part #
CAMOPENER





coupler sold separately

Locking Cam Arm Velcro® Straps

Applications:

- use with cam and groove couplers to prevent spills, secure from damage, and hold in place during transport

Features:

- high visibility orange hook and loop with metal buckle provides strength, durability and long life
- used on the female end of the cam and groove coupler

Length	Used On	Part #
12"	fits up to 1½" coupler	CVS12
18"	fits up to 3" coupler	CVS18
24"	fits up to 5" coupler	CVS24
36"	fits up to 8" coupler	CVS36

Carbon Steel Clip Assembly



Features:

- for use with Boss-Lock™ couplings
- includes a pull ring, chain and AC3 clip

Part #
BLCA152CS

Clip for Boss-Lock™ Couplings



Feature:

- .072 stainless steel wire

Material	Part #
<i>Stainless Steel</i>	AC7

Lanyard for Boss-Lock™ Couplings



Feature:

- breaking strength: 160 lbs.

304 Stainless Part #	Overall Length
LR7	7"

Jack Chains with S-Hooks



Length	Material	Part #	Opt Qty
6"	<i>brass</i>	CH-B-6	10
12"	<i>brass</i>	CH-B-12	10
24"	<i>brass</i>	CH-B-24	---
12"	<i>carbon steel</i>	CH-C-12	10
6"	<i>stainless</i>	CH-SS-6	10
12"	<i>stainless</i>	CH-SS-12	10
24"	<i>stainless</i>	CH-SS-24	10

Sash Chains with Pull Rings



Feature:

- brass chain, plated steel pull ring

Length	Part #
4½"	J125
6½"	J150
8½"	J300
12¾"	J500

PVC Coated Lanyards

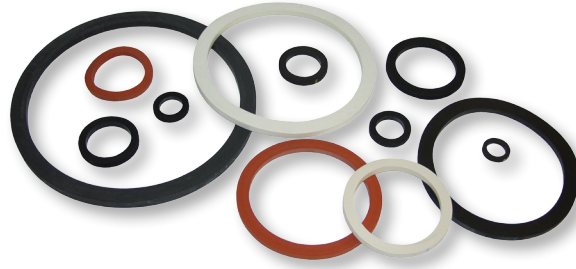


Features:

- PVC coated carbon steel with aluminum crimp sleeves
- one end factory crimped, one end uncrimped for field installation

Length	Part #
15"	CAL15
25"	CAL25

Cam and Groove Gaskets



Feature:

- white neoprene and white Buna-N gaskets all contain FDA approved materials

Size	Buna-N Part #	FKM Part #	Extra thick Buna-N Part #	Ethylene Propylene Part #
1/2"	50-G-BU	50-G-VI	---	---
3/4"	75-G-BU	75-G-VI	---	75-G-EPR
1"	100-G-BU	100-G-VI	100GTHK	100-G-EPR
1 1/4"	125-G-BU	125-G-VI	125GTHK	125-G-EPR
1 1/2"	150-G-BU	150-G-VI	150GTHK	150-G-EPR
2"	200-G-BU	200-G-VI	200GTHK	200-G-EPR
2 1/2"	250-G-BU	250-G-VI	250GTHK	250-G-EPR
3"	300-G-BU	300-G-VI	300GTHK	300-G-EPR
4"	400-G-BU	400-G-VI	400GTHK	400-G-EPR
5"	500-G-BU	500-G-VI	---	---
6"	600-G-BU	600-G-VI	600GTHK	---
8"	800-G-BU	800-G-VI	---	---

Size	Neoprene Part #	White Neoprene Part #	White Buna-N Part #	Silicone Part #
1/2"	---	---	---	---
3/4"	75-G-NE	---	---	---
1"	100-G-NE	---	---	---
1 1/4"	125-G-NE	---	---	---
1 1/2"	150-G-NE	150-G-WNE	---	150-G-SIL
2"	200-G-NE	200-G-WNE	---	200-G-SIL
2 1/2"	250-G-NE	---	---	---
3"	300-G-NE	300-G-WNE	300-G-WB	300-G-SIL
4"	400-G-NE	400-G-WNE	400-G-WB	400-G-SIL
5"	---	500-G-WNE	---	---
6"	---	600-G-WNE	---	---
8"	---	---	---	---

Cam and Groove Fuel Gaskets

Size	Part #	Material
1 1/2"	150-G-BF	<i>Buna</i>
2"	200-G-BF	<i>Buna</i>
3"	300-G-BF	<i>Buna</i>
4"	400-G-BF	<i>Buna</i>
3"	300GTHKBF	<i>extra thick Buna-N</i>
4"	400GTHKBF	<i>extra thick Buna-N</i>



PTFE Cam and Groove Gaskets

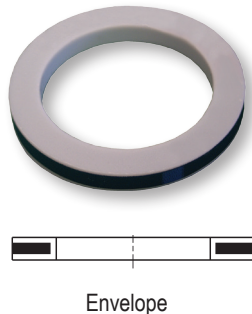
The torque (force) required to close the handles on a pair of cam and groove fittings will vary according to the gasket chosen. Due to the nature of the PTFE material, the various PTFE gasket designs will require the most torque, increasing as you go from envelope to encapsulated, and finally, accordion.

Features:



- PTFE white Buna filler (TFWB) and PTFE encapsulated silicone (TES) all contain FDA approved materials
- PTFE accordion gaskets (TFACC) are recommended for use with viscous (thick) fluids only
- encapsulated gasket pressure ratings are reduced to **125 PSI** for ¾" - 4" at ambient temperature **70°F (21°C)**
- PTFE encapsulated FKM (TEV) gaskets - maximum operating temperature **200°F (93°C)**
- PTFE encapsulated silicone gaskets (TES) gaskets - maximum operating temperature **225°F (107°C)**
- *maximum operating temperatures for specific chemicals may be lower, contact Dixon® for specific recommendations*

Envelope



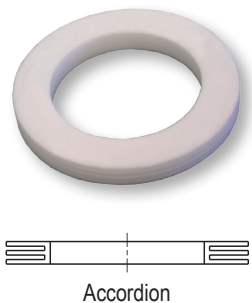
Size	PTFE (TFE) with Buna-N filler Part #	PTFE (TFE) with FKM filler Part #	PTFE (TFE) with white Buna-N filler Part #	PTFE (TFE) with Ethylene Propylene filler Part #
½"	50-G-TF	50-G-TF-VI	---	---
¾"	75-G-TF	75-G-TF-VI	---	---
1"	100-G-TF	100GTFVI	---	---
1¼"	125-G-TF	125GTFVI	---	---
1½"	150-G-TF	150GTFVI	---	150GTFEP
2"	200-G-TF	200GTFVI	200GTFWB	200GTFEP
2½"	250-G-TF	250GTFVI	---	---
3"	300-G-TF	300GTFVI	300GTFWB	300GTFEP
4"	400-G-TF	400GTFVI	400GTFWB	---
5"	---	---	500GTFWB	---
6"	600-G-TF	600GTFVI	---	---

Encapsulated



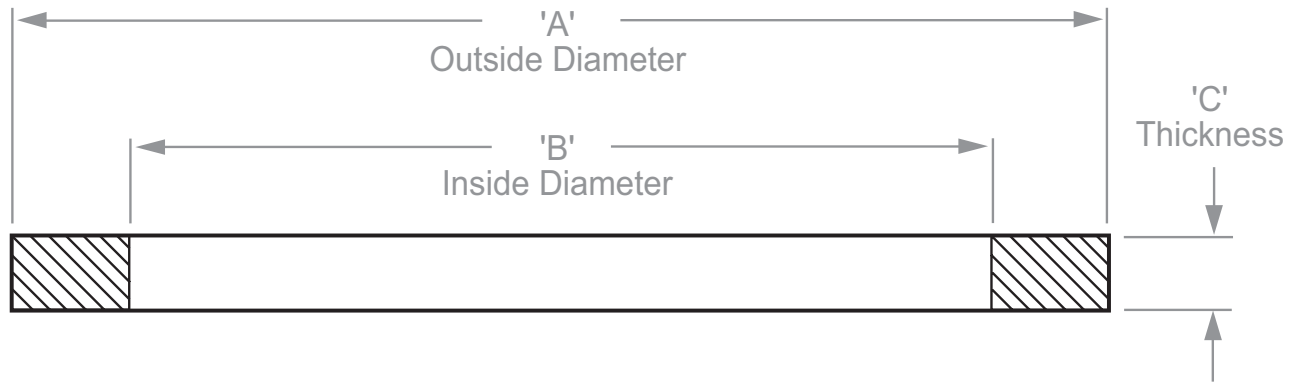
Size	PTFE (FEP) encapsulated silicone Part #	PTFE (FEP) encapsulated FKM Part #
¾"	75-G-TES	75-G-TEV
1"	100-G-TES	100-G-TEV
1¼"	125-G-TES	125-G-TEV
1½"	150-G-TES	150-G-TEV
2"	200-G-TES	200-G-TEV
2½"	250-G-TES	250-G-TEV
3"	300-G-TES	300-G-TEV
4"	400-G-TES	400-G-TEV

Accordion



Size	PTFE (TFE) Part #
¾"	75GTFACC
1"	100GTFACC
1¼"	125GTFACC
1½"	150GTFACC
2"	200GTFACC
3"	300GTFACC

Dixon® Cam and Groove Gasket Dimensions



- nominal dimensions for Dixon® elastomeric cam and groove gaskets are listed
- ID's of the PTFE envelope gaskets and the PTFE accordion gaskets are $1/16"$ smaller than the ID's for the elastomeric gaskets shown below
- thickness of PTFE accordion gaskets may vary from chart below

Size	Part #	Dimensions		
		'A'	'B'	'C'
1/2"	50-G ¹	1-1/32"	11/16"	.156"
3/4"	75-G	1-3/8"	7/8"	.218"
1"	100-G	1-9/16"	1-1/16"	.250"
1 1/4"	125-G	1-15/16"	1-23/64"	.250"
1 1/2"	150-G	2-3/16"	1-5/8"	.250"
2"	200-G	2-5/8"	2"	.250"
2 1/2"	250-G	3-1/8"	2-3/8"	.250"
3"	300-G	3-23/32"	3"	.250"
4"	400-G	4-7/8"	4"	.250"
5"	500-G	5-15/16"	4-7/8"	.250"
6"	600-G	7-1/16"	6"	.250"
8"	800-G ¹	9-5/16"	8-1/8"	.343"

¹ No interchange standard exists for the 1/2" and 8" fittings. Generally, these sizes do not interchange with other manufacturer's products. As such, the gaskets in these sizes are not suitable for use in other manufacturers' couplings.



Dixon® Cam and Groove Gasket Color Codes

Gasket Code ¹	Gasket Material	Material Color	Color code stripes (appear on the OD of the gasket or filler)
-BU	Buna-N (standard in all metal fittings)	black	1 blue
-BF	Buna (formulated for fuel service)	black	1 green
-VI	FKM	black	1 yellow
-THK	Extra Thick Buna	black	2 blue
-EPR	Ethylene Propylene	black	1 white
-NE	Neoprene	black	1 red
-WNE	White Neoprene, FDA approved material	white	none
-WB	White Buna N, FDA approved material	white	blue
-SIL	Silicone	red	none
-TF	PTFE (TFE) Envelope with Buna-N filler	white / black	1 blue
TFVI	PTFE (TFE) Envelope with FKM filler	white / black	1 yellow
TFWB	PTFE (TFE) Envelope with White Buna-N filler, FDA approved materials	white / white	blue
TFEP	PTFE (TFE) Envelope with Ethylene Propylene filler	white / black	1 white stripe
-TES	PTFE (FEP) Encapsulated Silicone core, FDA approved materials	translucent / red	none
-TEV	PTFE (FEP) Encapsulated FKM core	translucent / black	none
TFACC	PTFE (TFE) Accordion, FDA approved materials	white	none

¹ part number suffix

Since other manufacturer's coding systems vary, this chart should not be used as a reference in identifying gaskets of unknown origin.



Dixon® is recognized as the premier manufacturer and supplier of hose fittings and accessories spanning a wide range of industrial uses. Dixon®'s range includes products for food, dairy processing, beverage and brewery, mobile tankers, mining, construction, chemical processing, petroleum, oilfields, refining and manufacturing.

dixonvalve.com • *Customer Service:* 877.963.4966



The Right Connection®

Dixon®

800 High Street, Chestertown, MD 21620

ph: 877.963.4966

fx: 800.283.4966

connect with us

