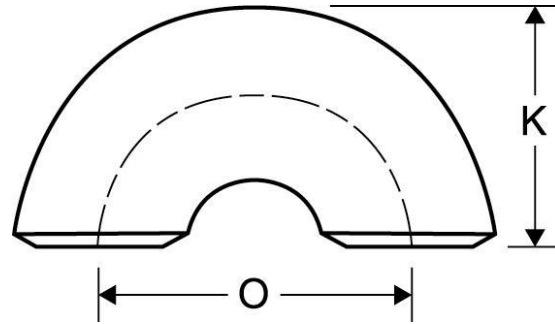




Short Radius 180° Return  
Bends  
**STANDARD WEIGHT**  
Inches / Pounds



Nominal Pipe Size	Outside Diameter	Inside Diameter	Wall Thickness	Center To Center (O)	Back To Face (K)	Pipe Schedule	Approximate Weight (in Pounds)
1	1.32	1.05	0.133	2.00	1.62	STD/40	0.50
1 ¼	1.66	1.38	0.140	2.50	2.06	STD/40	0.80
1 ½	1.90	1.61	0.145	3.00	2.44	STD/40	1.1
2	2.38	2.07	0.154	4.00	3.19	STD/40	1.9
2 ½	2.88	2.47	0.203	5.00	3.94	STD/40	4
3	3.50	3.07	0.216	6.00	4.75	STD/40	6
3 ½	4.00	3.55	0.226	7.00	5.50	STD/40	8.7
4	4.50	4.03	0.237	8.00	6.25	STD/40	12.2
5	5.56	5.05	0.258	10.00	7.75	STD/40	19.2
6	6.62	6.07	0.280	12.00	9.31	STD/40	32.9
8	8.62	7.98	0.322	16.00	12.31	STD/40	64.9
10	10.75	10.02	0.365	20.00	15.38	STD/40	112
12	12.75	12.00	0.375	24.00	18.38	STD*	157
14	14.00	13.25	0.375	28.00	21.00	STD/30	208
16	16.00	15.25	0.375	32.00	24.00	STD/30	257
18	18.00	17.25	0.375	36.00	27.00	STD*	325
20	20.00	19.25	0.375	40.00	30.00	STD/20	416
24	24.00	23.25	0.375	48.00	36.00	STD/20	592
30	30.00	29.25	0.375	60.00	45.00	STD*	956
36	36.00	35.25	0.375	72.00	54.00	STD*	1,387

**\* STD\* designates Standard Weight (standard wall). This size and thickness do not correspond to any pipe schedule number.**

**\* Dimensions conform to ASME B16.9 & material conforms to ASTM SA-234 Grade B.**