

TRI POD CHAIN VISE
1/8" to 6" PIPE CAPACITY



- Large working surface, 6" pipe capacity
- Integral legs and tray fold in for easy carrying and set up.
- Large vise base overhangs front legs for clear tool swing.
- Complete with slots for hanging tools pipe rest, three pipe benders, and ceiling brace screw.



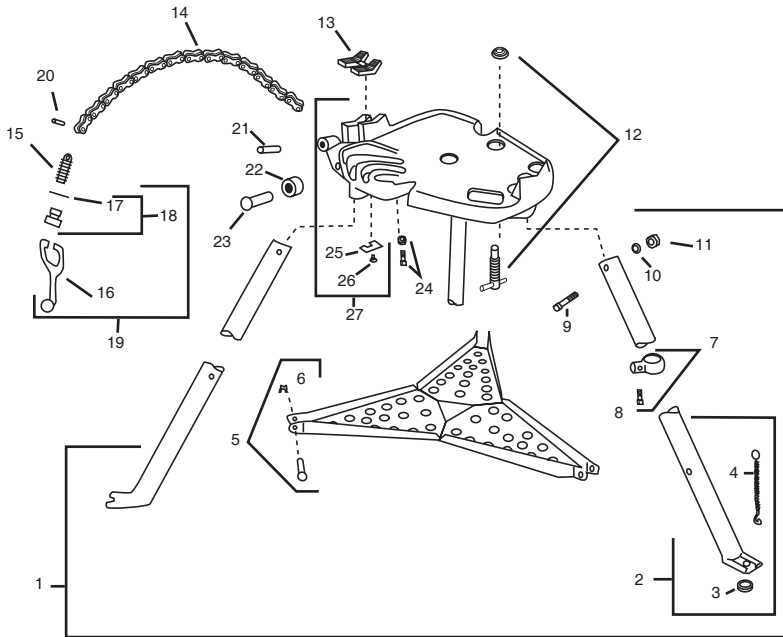
Tri-Pod Chain Vise Repair Kit

Complete with new vise jaw, chain assembly, chain screw and handle assembly.
 Item 3305100KIT

System No.		Location		Spec Section		Paragraph	
Submitted By		Date		Approved		Date	

TRI POD CHAIN VISE

1/8" to 6" PIPE CAPACITY



All parts interchangeable with RIDGID®
 RIDGID® is a registered trademark of RIDGID®, Inc

REF	PART #	DESCRIPTION
-	3305100	TS Tri Pod Chain Vise 6" Complete
	3305100Kit	Tri Pod Repair Kit
1	33-05-101	Leg & tray assy.
2	33-05-102	Rear leg assy.
3	33-03-116	Stand Grommet (5 pack)
4	33-03-112	Stand Leg chain
5	33-03-109	Stand Tray pin with washer (5 pack)
6	33-03-110	Stand washer (5 pack)
7	33-03-104	Stand tray support with screw
8	33-03-111	Stand Set screw 3/8" - 16 x 1"
9	33-03-106	Stand Hex bolt 3/8"-16 x 2-3/4" (5 pack)
10	33-03-108	Stand Lock washer 3/8" (5 pack)
11	33-03-107	Stand Nut 3/8" - 16 (5)
12	33-05-112	Jack screw assy.
13	33-05-113	Jaw
14	33-05-114	Chain assy. (incl. #20)
15	33-05-115	Chain screw
16	33-05-116	Handle
17	33-05-117	Friction ring
18	33-05-118	Swivel nut
19	33-05-119	Handle assy.
20	33-05-120	Chain screw pin
21	33-05-121	Nut locking pin
22	33-05-122	Roll
23	33-05-123	Roll pin
24	33-05-124	Jaw screw w/washer (2 pack)
25	33-05-125	Wear plate
26	33-05-126	Screw w/washer (2)
27	33-05-127	Base w/wearplate & screws



Tri-Pod Chain Vise Repair Kit

Complete with new vise jaw, chain assembly, chain screw and handle assembly.
 Item 3305100KIT

System No.		Location		Spec Section		Paragraph	
Submitted By		Date		Approved		Date	

TRI-POD CHAIN VISE

Assembly Instructions:

Slide the Rear Leg Assembly through the Tray Support Ring. Insure that the Rear Leg Assembly is correctly facing away from the Tool Tray, the foot is facing outwards and that the Tool Tray could fold upwards. Tighten set screw.

Next, place the Front Leg Assembly in the Tool Tray. Check that the foot is down and facing outwards. Push Tray Pin through the holes provided in the Front Leg Assembly and the Tool Tray. Lock in place with the X Shaped Washer by tightening the pins.

Repeat the same process for the second Front Leg Assembly.

Put the Base Assembly upside-down on the floor. Insert the three legs into the slots remembering that the Rear Leg Assembly is opposite the chain and Vise Jaws. Push the Leg Bolts through the holes provided and tighten the nuts and lock washers.

Pick up Tri Pod and place right side up. Insure that the Tool Tray is firmly seated. You may adjust the correct location of the set screw for the Rear Leg Assembly.