

## Thermostatic Balancing Valve • Variable Set Point • 150 CWP • with Optional Check Valve



**TB-120G**



**TB-120G**  
with optional check valve

### Features

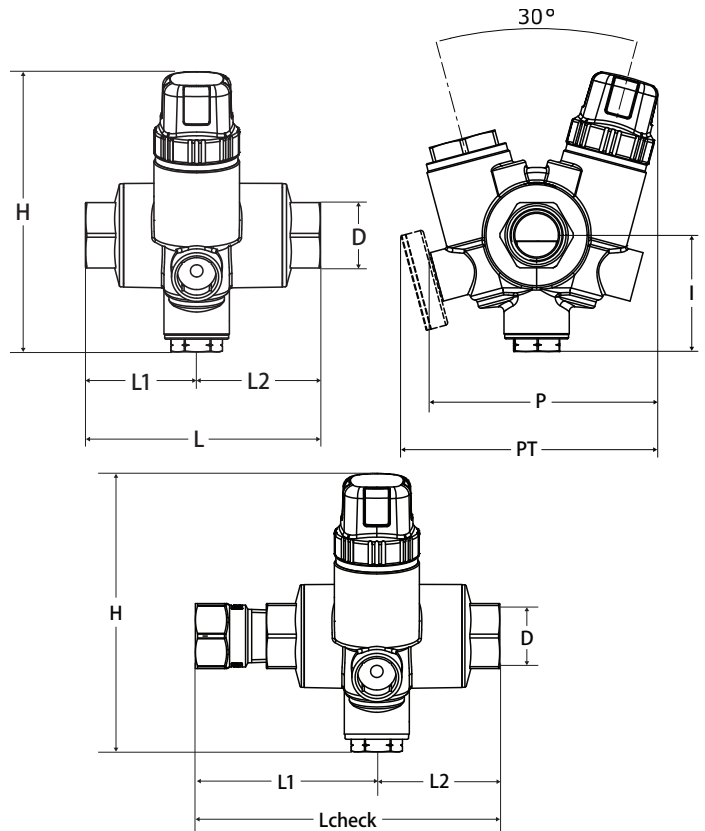
- Variable temperature set point with protective cap
- Modulates flow to maintain constant temperature in the recirculation loop
- No balancing equipment required
- Heat treated DZR alloy
- 100% Made in Italy
- Drywell with temperature gauge comes standard
- Available with check valve
- 1/2" NPT temperature port (factory plugged)

### Approvals

- NSF 61
- NSF 372
- Conforms to ANSI B1.20.1

### Temperature and Pressure

- Max Working Pressure: 232 psi
- Max Differential Pressure: 14.5 psi
- Max Working Temperature: 194°F
- Temperature Setting Range: 95°F - 140°F
- $C_{vmin}$ : 0.23
- $C_{vmax}$ : 2.10
- $C_{vdesign}$ : 0.53 - 0.59



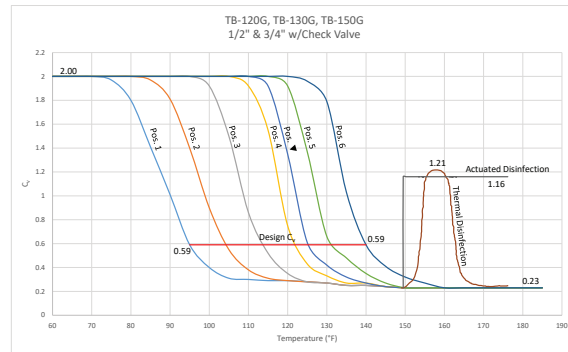
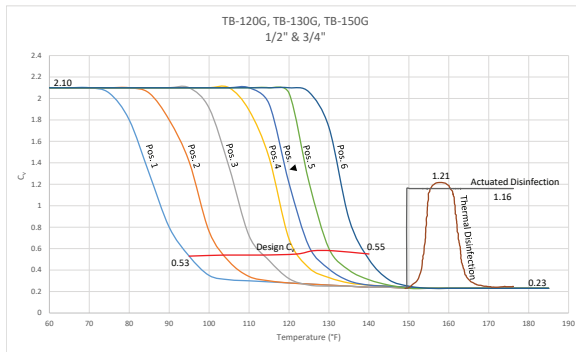
### Dimensions

TB-120G	Part No.	D	L	L <sub>check</sub>	L1	L2	H	I	P	PT
FxF	180-103G-B	1/2"	3.66	-	1.73	1.93	4.41	1.81	3.58	4.02
FxF	180-104G-B	3/4"	3.9	-	1.85	2.05	4.41	1.81	3.58	4.02
FxF	180-103G-B-C	1/2"	-	4.8	2.87	1.93	4.41	1.81	3.58	4.02
FxF	180-104G-B-C	3/4"	-	5.43	3.39	2.05	4.41	1.81	3.58	4.02



**WARNING:** This product can expose you to chemicals including lead, which is known to the State of California to cause cancer, birth defects or other reproductive harm. For more information go to [www.P65Warnings.ca.gov](http://www.P65Warnings.ca.gov).

## Thermostatic Balancing Valve • Variable Set Point • 150 CWP • with Optional Check Valve



HAND WHEEL SETPOINT TEMPERATURE (°F)									
95°	100°	105°	110°	115°	120°	125°	130°	135°	140°
1	1.6	2.1	2.7	3.2	3.8	▼4.4	4.9	5.5	6

### TB-120G Material Specifications

No.	Part	Material
1	Valve Body	LF DZR Brass CW511L
2	Spring	Stainless Steel AISI 302
3	1/2" Plug	LF DZR Brass CW511L
4	O-Ring	EPDM
5	Auxiliary Cap	LF DZR Brass CW511L
6	Piston	PSU
7	Stem	LF DZR Brass CW511L
8	Stem Adapter	LF DZR Brass CW511L
9	O-Ring	EPDM
10	O-Ring	EPDM
11	Cartridge Piston	Steel
12	Cartridge Cup	Brass CW501L
13	Cartridge Guide	Brass CW724R
14	Cartridge Sleeve	EPDM
15	End connection FNPT	LF DZR Brass CW511L

### TB-120G Check Valve (Optional)

No.	Part	Material
1	Body	LF DZR Brass CW511L
2	O-Ring	EPDM
3	Check Body	GF Noryl
4	Spring	Stainless Steel AISI 301
5	Check Rod Plunger	GF Noryl
6	Check Lip Seal	EPDM

