

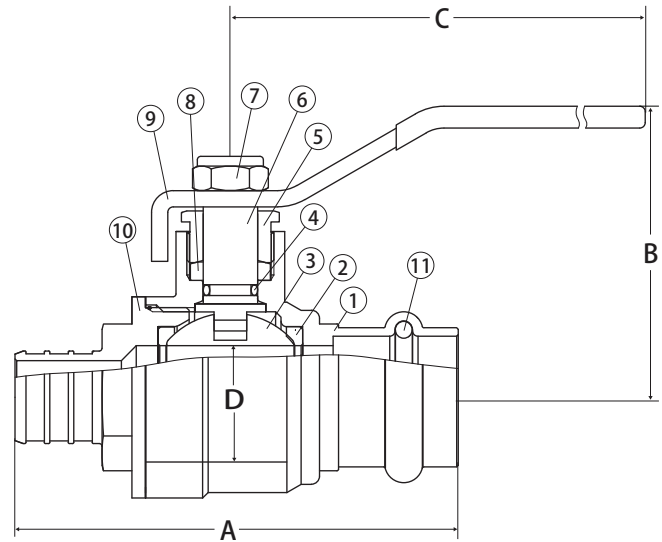
Lead Free Brass Ball Valve



2 Piece • Press x Crimp Connection • 250 CWP



T-412G Press X Crimp



Features

- Dezincification resistant brass
- Gland follower and single o-ring stem design
- Blow-out proof stem
- 100% leak tested
- Wetted surfaces contain less than .25% lead content

Approvals



- ASTM F1807
- Conforms to IAPMO PS 117
 - NSF 61-8
 - NSF 372
 - Uniform Plumbing Code (cUPC)
 - IAPMO/ANSI Z1157-2014
 - NSF/ANSI 14-2014

Pressure/Temperature Rating

- 250 CWP
- Crimp connection rated to 100 CWP up to 180°F

Material Specifications

No.	Part	Materials
1	Body	Lead Free Brass - C46500
2	Seat	PTFE
3	Ball	304 Stainless Steel
4	O-Ring	NBR
5	Packing Nut	Brass - C37700
6	Stem	Brass - C37700
7	Handle Nut	Steel - Chrome Plated
8	Packing	PTFE
9	Handle	Steel
10	End Connection	Lead Free Brass - C46500
11	O-Ring	EPDM

Dimensions

Part No.	Size	A	B	C	D
103-563PG	1/2"	2.89	1.81	3.46	0.47
103-564PG	3/4"	3.21	2.09	4.29	0.67
103-565PG	1"	3.70	2.25	4.29	0.86



WARNING: This product can expose you to chemicals including lead, which is known to the State of California to cause cancer, birth defects or other reproductive harm. For more information go to www.P65Warnings.ca.gov.