

Bronze Ball Valve

2 Piece, Full Port, Threaded Connection, Stainless Steel Trim, Insulated Handle, 600 CWP, 150 WSP

T-200CSS-IH



FEATURES

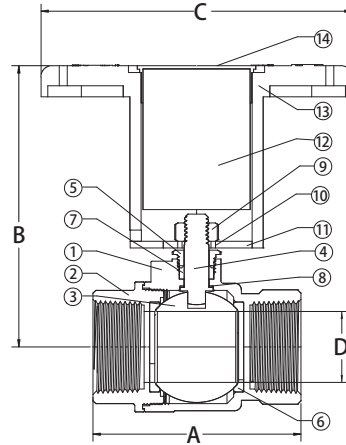
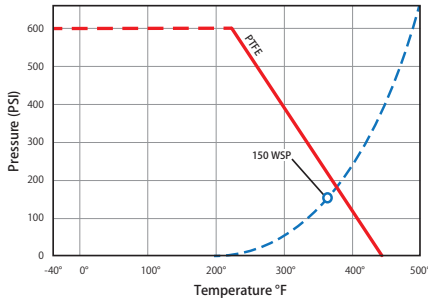
- Dezincification Resistant Bronze
- Blow-Out Proof Stem
- Heavy Commercial Pattern
- 100% Leak Tested
- 29 in.-Hg Vacuum Rating

CERTIFICATIONS/APPROVALS

- Threads According to ANSI B1.20.1
- Meets MSS SP-110

VALVE SEAT RATING

600 CWP - 150 WSP



MATERIALS

No.	Part	Material
1	Body	Bronze - C84400
2	Tailpiece	Bronze - C84400
3	Ball	Stainless Steel 316
4	Stem	Stainless Steel 316
5	Packing Nut	Brass - C36000
6	Seat (2)	PTFE
7	Packing Gland	PTFE
8	Thrust Washer	PTFE
9	Handle Nut	Steel - Geomet® Plated
10	Slide	Chrome Plated Steel
11	Base Plate	Chrome Plated Steel
12	Foam Insert	Polystyrene
13	Handle	Nylon
14	Cap	LDPE
15*	Sleeve	CAB Tubing

*Not Pictured

DIMENSIONS

Part No	Size	A	B	C	D
200-703-IH	1/2"	2.43	4.36	4.25	0.50
200-704-IH	3/4"	2.79	4.65	4.25	0.75
200-705-IH	1"	3.28	4.82	4.25	0.98
200-706-IH	1-1/4"	3.68	4.98	4.25	1.24
200-707-IH	1-1/2"	4.08	5.48	5.51	1.5
200-708-IH	2"	4.59	5.79	5.51	1.97