

# Brass Ball Valve

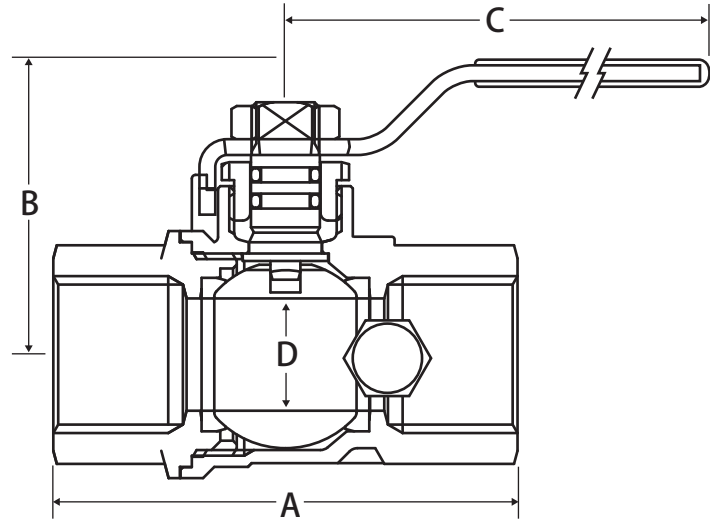


**2 Piece • Full Port • Threaded Connection • 600 WOG • with Side Tap**



**T-100STN**

CRN# 0C16887.5469870YTN



## Features

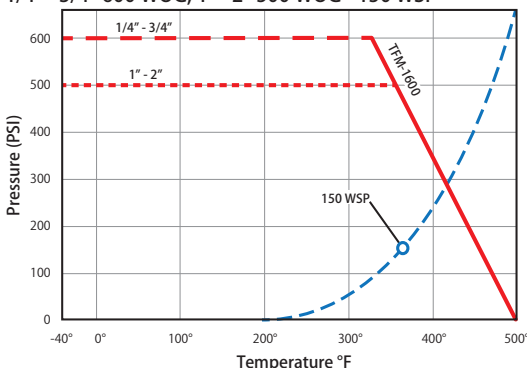
- Blow-out proof stem
- Triple sealing stem with 2 FKM o-rings and PTFE G300 seal
- 1/2" has 1/8" FIP side tap
- 3/4" - 2" have 1/4" FIP side tap
- 100% leak tested
- 100% Made in Italy
- Leakproof stem - Lifetime Warranty
- 29 in-Hg vacuum rating
- Accessories available

## Approvals

- UL Listed (1/2" - 2")
  - MHKZ - Manual valves
  - YQNZ - Compressed gas shut-off valves
  - YRBX - Flammable liquid shut-off valves
  - YRPV - Gas shut-off valves
  - YSDT - LP gas shut-off valves
  - SFJQ - Valves, refrigerant
- CSA Certified
  - ANSI Z21.15 (.5 PSIG) (1/2" - 2")
  - ASME B16.33 (125 PSIG) (1/2" - 2")
  - CGA 3.16 (125 PSIG) (1/2" - 2")
  - CGA 9.2 (1/2" - 2")
- MSS SP-110
- ANSI B1.20.1

## Valve Seat Rating

1/4" - 3/4" 600 WOG, 1" - 2" 500 WOG - 150 WSP



## Material Specifications

No.	Part	Materials
1	Body	Brass - CW617N
2	End Connection	Brass - CW617N
3	Ball	Chrome Plated Brass - CW617N
4	Seat (2)	PTFE G300
5	Stem	Brass - CW614N
6	Packing	PTFE G300
7	Stem O-ring (2)	FKM
8	Packing Gland	Brass - CW614N
9	Handle	Steel - Geomet® Plated
10	Handle Nut	Steel - Geomet® Plated
11	Flat Washer*	Buna-N
12	Cap *	Brass - CW614N

\*Not shown in drawing

## Dimensions

Part No.	Size	A	B	C	D	Cv
170-103	1/2"	2.48	1.53	2.95	0.59	16.82
170-104	3/4"	2.76	1.95	3.74	0.79	34.80
170-105	1"	2.81	2.40	4.75	0.97	52.20
170-106	1-1/4"	4.03	2.59	4.75	1.23	112.52
170-107	1-1/2"	4.72	3.22	6.00	1.49	174.00
170-108	2"	5.23	3.40	6.00	1.99	255.20

**WARNING:** This product can expose you to chemicals including lead, which is known to the State of California to cause cancer, and lead, which is known to the State of California to cause birth defects or other reproductive harm. For more information go to [www.P65Warnings.ca.gov](http://www.P65Warnings.ca.gov).

