

Brass Ball Valve

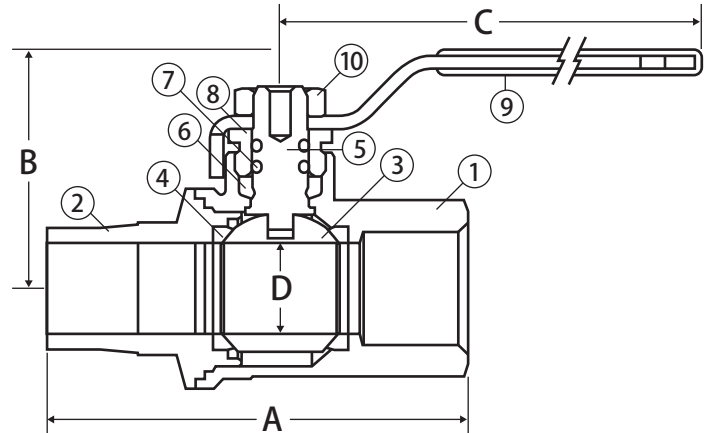


2 Piece • Full Port • Male x Threaded Female Connection • 600 WOG



T-100FMN

CRN# 0C16887.5469870YTN



Material Specifications

No.	Part	Materials
1	Body	Brass - CW617N
2	End Connection	Brass - CW617N
3	Ball	Chrome Plated Brass - CW617N
4	Seat (2)	PTFE G300
5	Stem	Brass - CW614N
6	Packing	PTFE G300
7	Stem O-ring (2)	FKM
8	Packing Gland	Brass - CW614N
9	Handle	Steel - Geomet® Plated
10	Handle Nut	Steel - Geomet® Plated

Dimensions

Part No.	Size	A	B	C	D	Cv
100-601	1/4"	2.29	1.41	2.95	0.39	7.66
100-602	3/8"	2.26	1.41	2.95	0.39	7.77
100-603	1/2"	2.75	1.53	2.95	0.59	16.82
100-604	3/4"	3.10	1.95	3.74	0.79	34.80
100-605	1"	3.68	2.40	4.75	0.97	52.20

Features

- Blow-out proof stem
- Triple sealing stem with 2 FKM o-rings and PTFE G300 seal
- 100% leak tested
- 100% Made in Italy
- Leakproof stem - Lifetime Warranty
- 29 in-Hg vacuum rating
- Accessories available

Approvals

- CSA Certified (1/4" - 1")
 - ASME B16.33 (125 PSIG)
 - CGA 3.16 (125 PSIG)
- MSS SP-110
- ANSI B1.20.1

Valve Seat Rating

1/4" - 3/4" 600 WOG, 1" - 2" 500 WOG - 150 WSP

