

Lead Free Brass Ball Valve



2 Piece • Full Port • Threaded Connection • Insulated Handle • 600 WOG



T-100CG-IH

Features

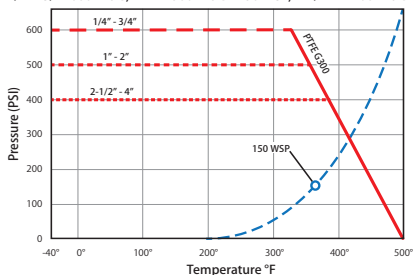
- Dezincification resistant brass alloy
- Triple sealing stem with 2 FKM o-rings and PTFE G300 seal
- Blow-out proof stem
- 100% leak tested
- 100% Made in Italy
- Leakproof stem - Lifetime Warranty
- 29 in-Hg vacuum rating
- Wetted surfaces contain less than .25% lead content

Approvals

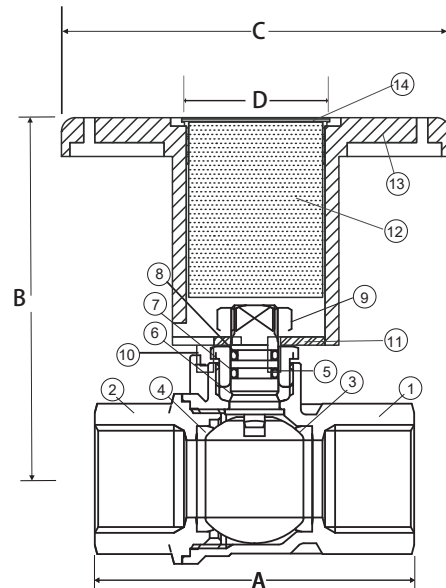
- NSF/ANSI/CAN 61-G
- UL-2043 Certified Insulated Handle
- CSA Certified
 - ANSI Z21.15 (.5 PSIG)
 - ASME B16.44 (5 PSIG)
 - CGA CR91 (5 PSIG)
- Threads according to ANSI B1.20.1
- Meets MSS SP-110
- Meets ISO 6509

Valve Seat Rating

1/4" - 3/4" 600 WOG, 1" - 2" 500 WOG, 150 WSP, 2-1/2" - 4" 400 WOG



WARNING: This product can expose you to chemicals including lead which is known to the State of California to cause cancer, birth defects or other reproductive harm. For more information go to www.P65Warnings.ca.gov.



Material Specifications

No.	Part	Materials
1	Body	Lead Free Brass - C27453
2	End Connection	Lead Free Brass - C27453
3	Ball	T.E.A. Coated Brass - C28500
4	Seat (2)	PTFE G300
5	Stem	Lead Free Brass - C28500
6	Packing	PTFE G300
7	Stem O-ring (2)	FKM
8	Packing Gland	Brass - C38500
9	Handle Nut	Steel - Geomet® Plated
10	Slide	Chrome Plated Steel
11	Base Plate	Chrome Plated Steel
12	Foam Insert	Polystyrene
13	Handle	Nylon
14	Cap	LDPE
15*	Sleeve	CAB Tubing

*Not Pictured

Dimensions

Part No.	Size	A	B	C	D	Cv
100-403G-IH	1/2"	2.45	2.93	4.25	1.77	16.82
100-404G-IH	3/4"	2.71	3.39	4.25	1.77	34.80
100-405G-IH	1"	3.30	3.94	4.25	1.77	52.20
100-406G-IH	1-1/4"	3.80	4.63	4.25	1.77	112.52
100-407G-IH	1-1/2"	4.16	5.07	5.51	2.36	174.00
100-408G-IH	2"	5.00	5.40	5.51	2.36	255.20