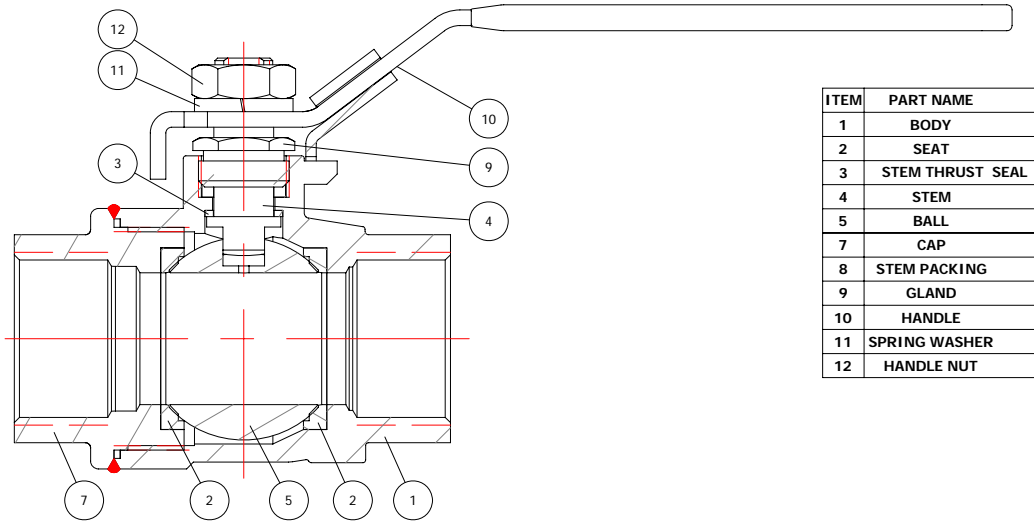


**FULL PORT BALL VALVE – MODEL 50B74 / 50B76
INSTALLATION, OPERATION, AND MAINTENANCE INSTRUCTIONS**



INSTALLATION:

These valves may be installed in the pipeline in any orientation or position, using good piping practice. For threaded end valves, use a suitable joint compound or TFE tape on pipe threads for ease of fit-up.

OPERATION:

These are quarter-turn (90° rotation) ball valves, and are normal fitted with a latching lever handle for manual operation. The handles also contain travel stop tabs at the open and closed positions. To open the valve, lift the latch/lock slider up, and turn the handle counterclockwise. To close the valve, lift the latch/lock and turn the handle clockwise.

MAINTENANCE:

----WARNING----
**Do not attempt to perform
maintenance on valves in
pressurized lines.**

Stem Seal Adjustment:

If leakage is evident from the stem packing area, tighten the gland nut 1/8 turn. If the leakage persists, repeat tightening. When leakage cannot be corrected by tightening the stem nut, replacement of the valve will be necessary.