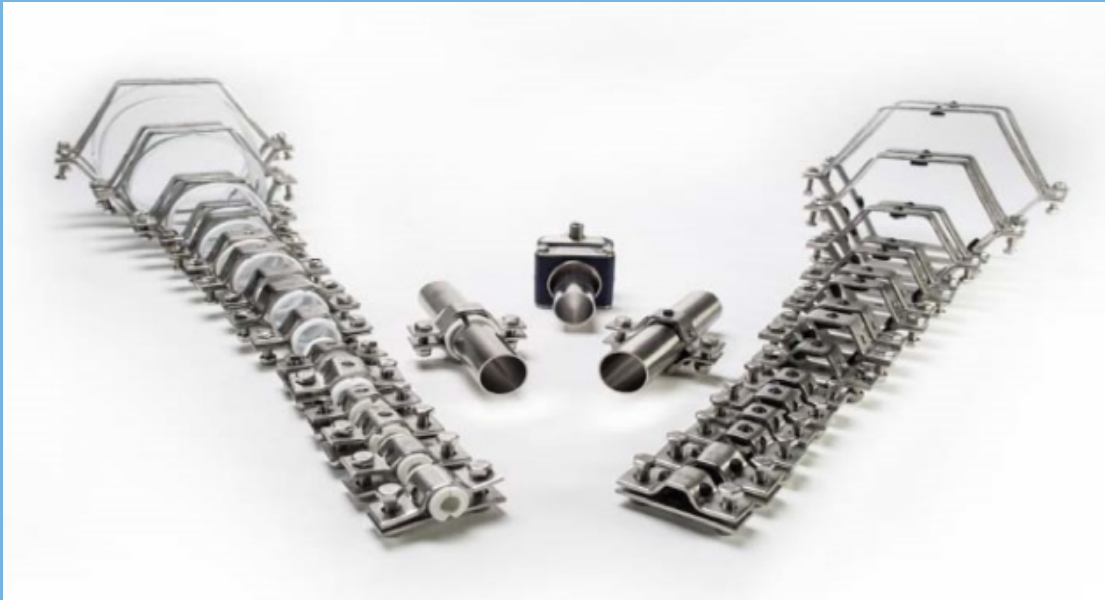




SANITARY SOLUTIONS^{INC.}

Bulldog Fittings/Valves...Bulldog Tough.

Sanitary Solutions Tube/Pipe Hangers



Sanitary Solutions stocks and supplies a full line of Tube or Pipe hangers and Wall Flanges when tube support or wall flanges is your need.

Sanitary Solutions stocks 1/2" – 10" T304 Tube Hangers with Nitrile Grommets, or 1/2"—10" Tube hangers with Polypropylene Sleeves in our warehouses.

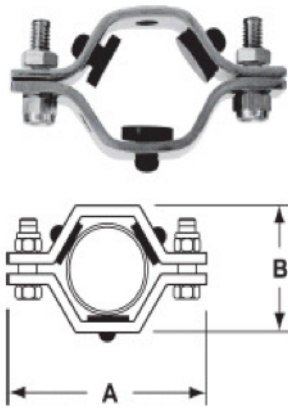
We have access to and can ship Hex Hangers with either Pipe or Rod Couplings, High Temperature (325°F) Tube Size or Pipe Size Hex Hangers, Alcryn (Temperature range 40°F -- 250°F) or Viton®(Temperature Range 75°F-- 390°F) and replacement sleeves and grommets.

We have access to 1/2" – 12" SS U-Bolt Hangers in either Tube or Pipe Size and SS WALL FLANGES, T304, (16 Gauge) from 1/2"—12" in either Tube or Pipe Size!

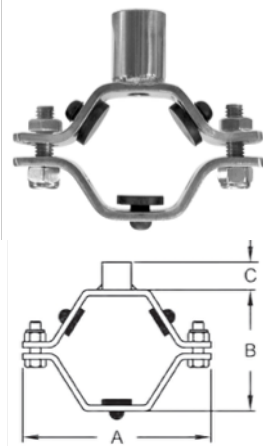
www.sanitarysolutions.com

Sanitary Solutions Inc. 1-888-909-3569 or 1-855-640-7871

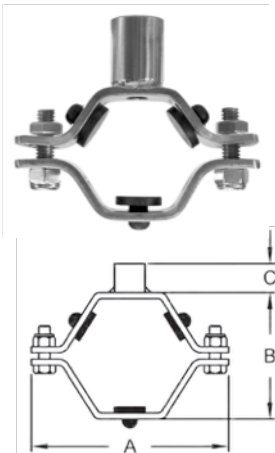
Prices are subject to change without notice; please call before you quote



SSTHG-- SS Tube (Hex) Hanger with Rubber Grommets				
Tube OD (Size)	A	B	Weight	Part Number 304 SS
1/2"	3.625	2.125	0.30	STHG-0.50-304
3/4"	3.625	2.125	0.35	SSTHG-0.75-304
1"	3.625	2.125	0.40	SSTHG-1-304
1.5"	3.625	2.125	0.45	SSTHG-1.5-304
2"	4.313	2.625	0.45	SSTHG-2-304
2.5"	4.875	3.125	0.50	SSTHG-2.5-304
3"	5.375	3.625	0.60	SSTHG-3-304
4"	6.563	4.750	0.70	SSTHG-4-304
5"	8.000	5.625	0.90	SSTHG-5-304
6"	9.000	6.625	1.10	SSTHG-6-304
8"	11.50	8.625	1.40	SSTHG-8-304
10"	14.50	10.50	5.40	SSTHG-10-304
12"	16.75	12.63	6.30	SSTHG-12-304



SSTHG-- SS Tube (Hex) Hanger with Rubber Grommets				
Tube OD (Size)	A	B	Weight	Part Number 304 SS
1/2"	3.625	2.125	0.30	STHG-0.50-304
3/4"	3.625	2.125	0.35	SSTHG-0.75-304
1"	3.625	2.125	0.40	SSTHG-1-304
1.5"	3.625	2.125	0.45	SSTHG-1.5-304
2"	4.313	2.625	0.45	SSTHG-2-304
2.5"	4.875	3.125	0.50	SSTHG-2.5-304
3"	5.375	3.625	0.60	SSTHG-3-304
4"	6.563	4.750	0.70	SSTHG-4-304
5"	8.000	5.625	0.90	SSTHG-5-304
6"	9.000	6.625	1.10	SSTHG-6-304
8"	11.50	8.625	1.40	SSTHG-8-304
10"	14.50	10.50	5.40	SSTHG-10-304
12"	16.75	12.63	6.30	SSTHG-12-304

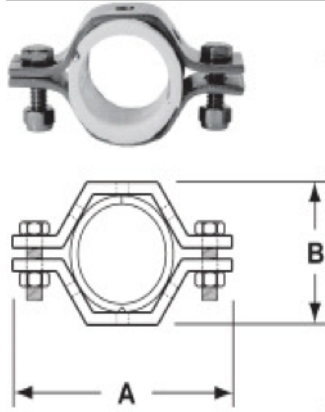


SSTHGRCAT--SS Tube (Hex) Hanger w/ Rubber Grommets 3/8-16 -- All Thread Coupler				
Tube OD (Size)	A	B	C	Part Number 304 SS
1/2"-3/4"	3.425	1.450	0.75	SSTHGRCAT-0.50-0.75-304
1"	3.425	1.450	0.75	SSTHGRCAT-1-304
1.5"	4.000	2.125	0.75	SSTHGRCAT-1.5-304
2"	4.500	2.500	0.75	SSTHGRCAT-2-304
2.5"	4.750	3.125	0.75	SSTHGRCAT-2.5-304
3"	5.500	3.750	0.75	SSTHGRCAT-3-304
4"	6.750	4.750	0.75	SSTHGRCAT-4-304
6"	9.250	6.625	0.75	SSTHGRCAT-6-304
8"	11.50	8.625	0.75	SSTHGRCAT-8-304

www.sanitarsolutions.com

Sanitary Solutions Inc. 1-888-909-3569 or 1-855-640-7871

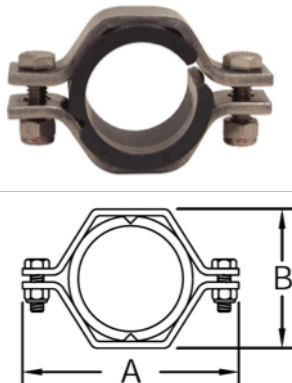
Prices are subject to change without notice; please call before you quote



SSTHP-- SS Tube (Hex) Hanger with Polypropylene Sleeve				
Tube OD (Size)	A	B	Weight	Part Number 304 SS
1/2"	2.800	1.167	0.30	STHP-0.50-304
3/4"	2.800	1.320	0.30	SSTHP-0.75-304
1"	3.425	1.563	0.30	SSTHP-1-304
1.5"	4.000	2.125	0.40	SSTHP-1.5-304
2"	4.500	2.625	0.40	SSTHP-2-304
2.5"	4.950	3.125	0.60	SSTHP-2.5-304
3"	5.500	3.625	0.70	SSTHP-3-304
4"	6.950	4.625	0.80	SSTHP-4-304
5"	8.063	5.625	0.90	SSTHP-5-304
6"	9.250	6.813	1.20	SSTHP-6-304
8"	11.500	8.625	1.60	SSTHP-8-304
10"	14.500	10.50	5.80	SSTHP-10-304
12"	16.625	13.00	7.30	SSTHP-12-304



SSPVC-- Polypropylene Sleeve	
Tube OD (Size)	Part Number 304 SS
1/2"	SSPVC-0.50-304
3/4"	SSPVC-0.75-304
1"	SSPVC-1-304
1.5"	SSPVC-1.5-304
2"	SSPVC-2-304
2.5"	SSPVC-2.5-304
3"	SSPVC-3-304
4"	SSPVC-4-304
5"	SSPVC-5-304
6"	SSPVC-6-304

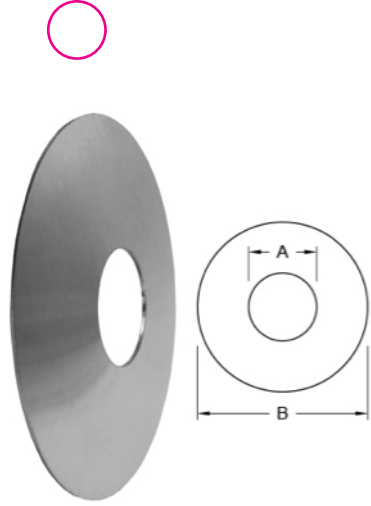


SSTHPHTS-- SS Tube (Hex) Hanger w/ High Temperature Sleeve				
Tube OD (Size)	A	B	Weight	Part Number 304 SS
1/2"	2.800	1.167	0.30	STHPHTS-0.50-304
3/4"	2.800	1.320	0.30	SSTHPHTS-0.75-304
1"	3.425	1.563	0.30	SSTHPHTS-1-304
1.5"	4.000	2.125	0.40	SSTHPHTS-1.5-304
2"	4.500	2.625	0.40	SSTHPHTS-2-304
2.5"	4.950	3.125	0.60	SSTHPHTS-2.5-304
3"	5.500	3.625	0.70	SSTHPHTS-3-304
4"	6.950	4.625	0.80	SSTHPHTS-4-304
5"	8.063	5.625	0.90	SSTHPHTS-5-304
6"	9.250	6.813	1.20	SSTHPHTS-6-304

www.sanitarysolutions.com

Sanitary Solutions Inc. 1-888-909-3569 or 1-855-640-7871

Prices are subject to change without notice; please call before you quote



SSWFT-- Tube Wall Flanges					
Tube OD (Size)	<u>A</u>	<u>B</u>	<u>Weight</u>	Nominal Wall	Part Number 304 SS
1/2"	0.50	3.00	0.14	0.065	SSWFT-0.50x3-304
1/2"	0.50	5.00	0.14	0.065	SSWFT-0.50-304
3/4"	0.75	3.00	0.16	0.065	SSWFT-0.75x3-304
3/4"	0.75	5.00	0.16	0.065	SSWFT-0.75-304
1"	1.00	3.00	1.80	0.065	SSWFT-1-304
1"	1.00	5.00	1.80	0.065	SSWFT-1x3-304
1.5"	1.50	5.00	0.20	0.065	SSWFT-1.5-304
2"	2.00	5.00	0.24	0.065	SSWFT-2-304
2.5"	2.50	5.00	0.28	0.065	SSWFT-2.5-304
3"	3.00	6.00	0.34	0.065	SSWFT-3-304
4"	4.00	7.00	0.40	0.065	SSWFT-4-304
5"	5.00	8.00	0.55	0.065	SSWFT-5-304
6"	6.00	10.00	0.75	0.065	SSWFT-6-304
8"	8.00	12.00	0.90	0.065	SSWFT-8-304
10"	10.00	14.00	1.10	0.065	SSWFT-10-304
12"	12.00	16.00	1.30	0.065	SSWFT-12-304

Also Available in Pipe Size



SSUT-- Tube Size U-Bolt Hanger				
Tube OD (Size)	<u>Plate Size</u>	<u>Rod Size</u>	<u>Weight</u>	Part Number U-bolt only
1/2"	3/16 x 3/4 x 1 7/8	1/4" x 3 7/8	0.11	SSUT-0.50-304
3/4"	3/16 x 3/4 x 1 7/8	1/4" x 3 7/8	0.13	SSUT-0.75-304
1"	3/16 x 3/4 x 2 1/8	1/4" x 4 3/8	0.16	SSUT-1-304
1.5"	1/4" x 1" x 2 1/8"	5/16"	0.18	SSUT-1.5-304
2"	1/4" x 1" x 3 3/8"	5/16"	0.20	SSUT-2-304
2.5"	1/4" x 1" x 3 3/8"	5/16"	0.24	SSUT-2.5-304
3"	1/4" x 1" x 4 3/8"	5/16"	0.27	SSUT-3-304
4"	1/4" x 1" x 5 1/4"	5/16"	0.30	SSUT-4-304
5"	1/4" x 1 1/4" x 6 1/2"	3/8"	1.45	SSUT-5-304
6"	1/4" x 1 1/4" x 6 1/2"	3/8"	1.70	SSUT-6-304
8"	3/8" x 1 1/2" x 9 1/2"	3/8"	2.00	SSUT-8-304
10"	3/8" x 1 1/2" x 11 1/2"	3/8"	2.30	SSUT-10-304
12"	3/8" x 1 1/2" x 13 1/2"	3/8"	2.40	SSUT-12-304

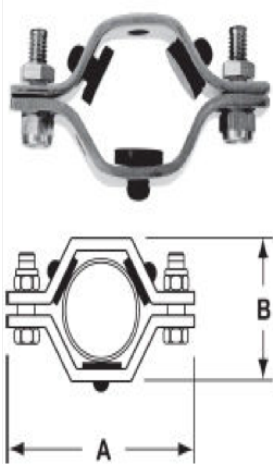
Also Available in Pipe Size

www.sanitarysolutions.com

Sanitary Solutions Inc. 1-888-909-3569 or 1-855-640-7871

Prices are subject to change without notice; please call before you quote

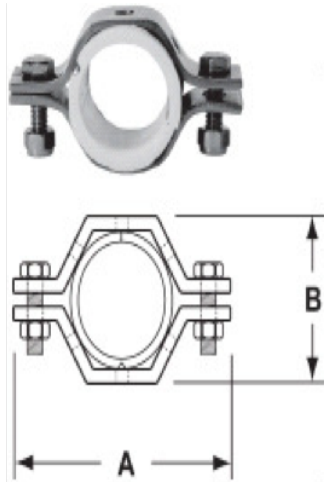
SSPHG--- SS PIPE Hanger with Grommets



Pipe (Size)	A	B	Grommet Qty/Size	Weight	Part Number 304
1/2"	3.625	2.125	3-- 1/2"	0.30	SSPHG-0.50-304
3/4"	3.625	2.533	3-- 3/8"	0.35	SSPHG-0.75-304
1"	3.625	2.125	3-- 1/4"	0.40	SSPHG-1-304
1.5"	4.320	2.813	3-- 1/4"	0.45	SSPHG-1.5-304
2"	4.875	3.250	3-- 1/4"	0.45	SSPHG-2-304
2.5"	5.375	3.875	3-- 1/4"	0.50	SSPHG-2.5-304
3"	6.167	4.320	4-- 1/8"	0.60	SSPHG-3-304
4"	7.438	5.125	4-- 1/8"	0.70	SSPHG-4-304
5"	8.062	5.625	4-- 1/8"	0.90	SSPHG-5-304
6"	9.875	7.125	5-- 1/8"	1.10	SSPHG-6-304

Note: 8", 10", & 12" Available

SSPHP--- SS PIPE Hanger with Polypropylene Sleeve



Pipe (Size)	A	B	Weight	Part Number 304
1/2"	3.625	2.125	0.30	SSPHP-0.50-304
3/4"	3.625	2.533	0.35	SSPHP-0.75-304
1"	3.625	2.125	0.40	SSPHP-1-304
1.5"	4.320	2.813	0.45	SSPHP-1.5-304
2"	4.875	3.250	0.45	SSPHP-2-304
2.5"	5.375	3.875	0.50	SSPHP-2.5-304
3"	6.167	4.320	0.60	SSPHP-3-304
4"	7.438	5.125	0.70	SSPHP-4-304
5"	8.062	5.625	0.90	SSPHP-5-304
6"	9.875	7.125	1.10	SSPHP-6-304

Note: 8", 10", & 12" Available

POLISHED ID/OD TUBING



Tube OD (Size)	Length	Quantity	Nominal Wall	Part Number 304 SS	Part Number 316L SS
1/2"	20'	300'	0.065		PT7-0.50-316L
3/4"	20'	300'	0.065		PT7-0.75-316L
1"	20'	300'	0.065	PT7-1-304	PT7-1-316L
1.5"	20'	300'	0.065	PT7-1.5-304	PT7-1.5-316L
2"	20'	300'	0.065	PT7-2-304	PT7-2-316L
2.5"	20'	300'	0.065	PT7-2.5-304	PT7-2.5-316L
3"	20'	200'	0.065	PT7-3-304	PT7-3-316L
4"	20'	100'	0.083	PT7-4-304	PT7-4-316L
6"	20'	100'	0.109	PT7-6-304	PT7-6-316L
8"	20'	20'	0.109	PT7-8-304	PT7-8-316L
10"	20'	20'	0.120	PT7-10-304	PT7-10-316L
12"	20'	20'	0.120	PT7-12-304	PT7-12-316L

We can cut tube to your dimensions!!
Fuel Freight Surcharges apply to order
Call for Full Freight Allowance

www.sanitarsolutions.com

Sanitary Solutions Inc. 1-888-909-3569 or 1-855-640-7871

Prices are subject to change without notice; please call before you quote