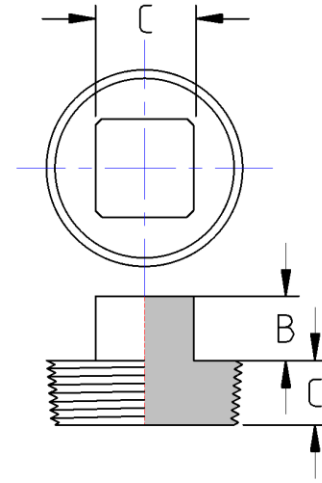




Threaded Square Head Plug  
ASME B16.11  
**Forged Steel**  
Inches / Pounds



Nominal Pipe Size	Thread Length Min. (A)	Height of Square Min. (B)	Nominal Width Across Flats (C)	Approx. Weight (in Pounds)
1/8"	0.38	0.25	0.28	0.016
1/4"	0.44	0.25	0.38	0.031
3/8"	0.50	0.31	0.44	0.063
1/2"	0.56	0.38	0.56	0.125
3/4"	0.62	0.44	0.62	0.188
1"	0.75	0.50	0.81	0.313
1-1/4"	0.81	0.56	0.94	0.563
1-1/2"	0.81	0.62	1.12	0.875
2"	0.88	0.69	1.31	1.50
2-1/2"	1.06	0.75	1.5	2.25
3"	1.12	0.81	1.69	2.87
4"	1.25	1.0	2.5	7.18

**\*NPT Threads on all fittings conform to ASME B1.20.1**

**\*Dimensions comply with ASME B16.11**