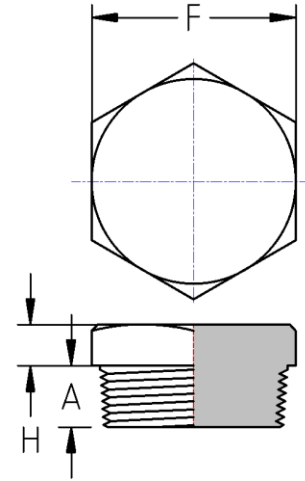




Threaded Hex Head Plug  
ASME B16.11  
**Forged Steel**  
Inches / Pounds



Nominal Pipe Size	Thread Length Min. (A)	Nominal Width Across Flats (F)	Height of Head (H)	Approx. Weight (in Pounds)
1/8"	0.38	0.44	0.25	0.063
1/4"	0.44	0.62	0.25	0.063
3/8"	0.50	0.69	0.31	0.125
1/2"	0.56	0.88	0.31	0.188
3/4"	0.62	1.06	0.38	0.313
1"	0.75	1.38	0.38	0.50
1-1/4"	0.81	1.75	0.56	1.125
1-1/2"	0.81	2.00	0.62	1.375
2"	0.88	2.50	0.69	2.25
2-1/2"	1.06	3.00	0.75	3.87
3"	1.12	3.50	0.81	5.87
4"	1.25	4.62	1.00	13

***\*NPT Threads on all fittings conform to ASME B1.20.1***

***\*Dimensions comply with ASME B16.11***