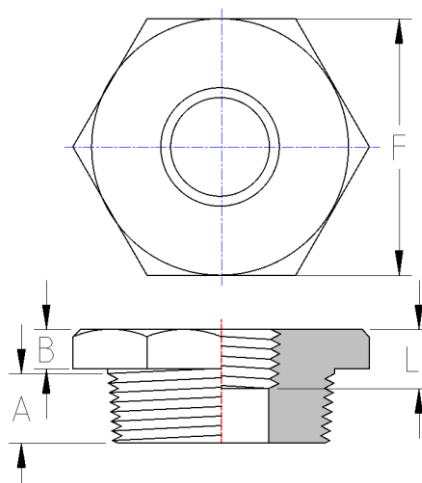




Threaded Hex Bushing  
ASME B16.11  
**Forged Steel**  
Inches / Pounds



| Nominal Pipe Size | External Thread Length Min. (A) | Height of Head (B) | Nominal Width Across Flats (F) | Minimum Length of Thread (L <sub>2</sub> )** | Approx. Weight (in Pounds) |
|-------------------|---------------------------------|--------------------|--------------------------------|--|----------------------------|
| 1/4" X 1/8"       | 0.44                            | 0.62               | 0.12                           | 0.26   | 0.063                      |
| 3/8" X 1/8"       | 0.50                            | 0.69               | 0.16                           | 0.26   | 0.063                      |
| 3/8" X 1/4"       | 0.50                            | 0.69               | 0.16                           | 0.40   | 0.063                      |
| 1/2" X 1/8"       | 0.56                            | 0.88               | 0.19                           | 0.26   | 0.063                      |
| 1/2" X 1/4"       | 0.56                            | 0.88               | 0.19                           | 0.40   | 0.063                      |
| 1/2" X 3/8"       | 0.56                            | 0.88               | 0.19                           | 0.41   | 0.063                      |
| 3/4" X 1/8"       | 0.62                            | 1.06               | 0.22                           | 0.26   | 0.125                      |
| 3/4" X 1/4"       | 0.62                            | 1.06               | 0.22                           | 0.40   | 0.125                      |
| 3/4" X 3/8"       | 0.62                            | 1.06               | 0.22                           | 0.41   | 0.125                      |
| 3/4" X 1/2"       | 0.62                            | 1.06               | 0.22                           | 0.53   | 0.125                      |
| 1" X 1/8"         | 0.75                            | 1.38               | 0.25                           | 0.26   | 0.188                      |
| 1" X 1/4"         | 0.75                            | 1.38               | 0.25                           | 0.40   | 0.188                      |
| 1" X 3/8"         | 0.75                            | 1.38               | 0.25                           | 0.41   | 0.188                      |
| 1" X 1/2"         | 0.75                            | 1.38               | 0.25                           | 0.53   | 0.188                      |
| 1" X 3/4"         | 0.75                            | 1.38               | 0.25                           | 0.55   | 0.188                      |
| 1-1/4" X 1/8"     | 0.81                            | 1.75               | 0.28                           | 0.26   | 0.375                      |
| 1-1/4" X 1/4"     | 0.81                            | 1.75               | 0.28                           | 0.40   | 0.375                      |
| 1-1/4" X 3/8"     | 0.81                            | 1.75               | 0.28                           | 0.41   | 0.375                      |
| 1-1/4" X 1/2"     | 0.81                            | 1.75               | 0.28                           | 0.53   | 0.375                      |
| 1-1/4" X 3/4"     | 0.81                            | 1.75               | 0.28                           | 0.55   | 0.375                      |
| 1-1/4" X 1"       | 0.81                            | 1.75               | 0.28                           | 0.68   | 0.375                      |

**\*NPT Threads on all fittings conform to ASME B1.20.1**

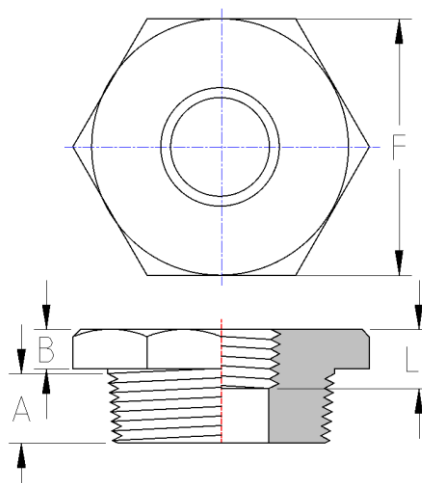
**\*\*L<sub>2</sub> is the effective length of threads per ASME B1.20.1**

**\*Dimensions comply with ASME B16.11**

**(Cautionary Note Regarding Hex Bushings: Hex head bushings of one-size reduction should not be used in services where they might be subject to harmful loads and forces other than internal pressures.)**



Threaded Hex Bushing  
ASME B16.11  
**Forged Steel**  
Inches / Pounds



| Nominal Pipe Size | External Thread Length Min. (A) | Height of Head (B) | Nominal Width Across Flats (F) | Minimum Length of Thread of Thread (L <sub>2</sub> )** | Approx. Weight (in Pounds) |
|-------------------|---------------------------------|--------------------|--------------------------------|--|----------------------------|
| 1-1/2" X 1/4"     | 0.81                            | 2                  | 0.31                           | 0.40   | 0.688                      |
| 1-1/2" X 3/8"     | 0.81                            | 2                  | 0.31                           | 0.41   | 0.688                      |
| 1-1/2" X 1/2"     | 0.81                            | 2                  | 0.31                           | 0.53   | 0.688                      |
| 1-1/2" X 3/4"     | 0.81                            | 2                  | 0.31                           | 0.55   | 0.688                      |
| 1-1/2" X 1"       | 0.81                            | 2                  | 0.31                           | 0.68   | 0.688                      |
| 1-1/2" X 1-1/4"   | 0.81                            | 2                  | 0.31                           | 0.71   | 0.688                      |
| 2" X 3/8"         | 0.88                            | 2.5                | 0.34                           | 0.41   | 1.62                       |
| 2" X 1/2"         | 0.88                            | 2.5                | 0.34                           | 0.53   | 1.62                       |
| 2" X 3/4"         | 0.88                            | 2.5                | 0.34                           | 0.55   | 1.62                       |
| 2" X 1"           | 0.88                            | 2.5                | 0.34                           | 0.68   | 1.62                       |
| 2" X 1-1/4"       | 0.88                            | 2.5                | 0.34                           | 0.71   | 1.62                       |
| 2" X 1-1/2"       | 0.88                            | 2.5                | 0.34                           | 0.72   | 1.62                       |
| 2-1/2" X 1/2"     | 1.06                            | 3                  | 0.38                           | 0.53   | 2.37                       |
| 2-1/2" X 3/4"     | 1.06                            | 3                  | 0.38                           | 0.55   | 2.37                       |
| 2-1/2" X 1"       | 1.06                            | 3                  | 0.38                           | 0.68   | 2.37                       |
| 2-1/2" X 1-1/4"   | 1.06                            | 3                  | 0.38                           | 0.71   | 2.37                       |
| 2-1/2" X 1-1/2"   | 1.06                            | 3                  | 0.38                           | 0.72   | 2.37                       |
| 2-1/2" X 2"       | 1.06                            | 3                  | 0.38                           | 0.76   | 2.37                       |

**\*NPT Threads on all fittings conform to ASME B1.20.1**

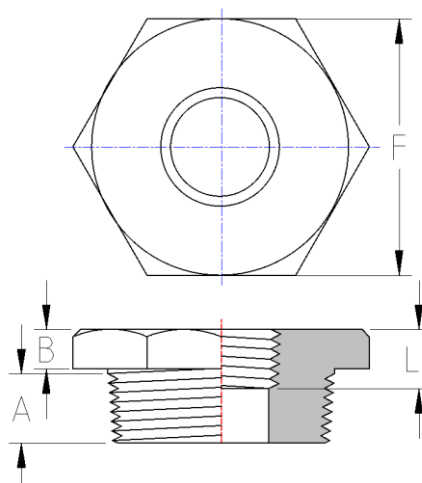
**\*\*L<sub>2</sub> is the effective length of threads per ASME B1.20.1**

**\*Dimensions comply with ASME B16.11**

**(Cautionary Note Regarding Hex Bushings: Hex head bushings of one-size reduction should not be used in services where they might be subject to harmful loads and forces other than internal pressures.)**



Threaded Hex Bushing  
ASME B16.11  
**Forged Steel**  
Inches / Pounds



| Nominal Pipe Size | External Thread Length Min. (A) | Height of Head (B) | Nominal Width Across Flats (F) | Minimum Length of Thread of Thread (L <sub>2</sub> )** | Approx. Weight (in Pounds) |
|-------------------|---------------------------------|--------------------|--------------------------------|--|----------------------------|
| 3" X 1"           | 1.12                            | 3.5                | 0.41                           | 0.68   | 3.5                        |
| 3" X 1-1/4"       | 1.12                            | 3.5                | 0.41                           | 0.71   | 3.5                        |
| 3" X 1-1/2"       | 1.12                            | 3.5                | 0.41                           | 0.72   | 3.5                        |
| 3" X 2"           | 1.12                            | 3.5                | 0.41                           | 0.76   | 3.5                        |
| 3" X 2-1/2"       | 1.12                            | 3.5                | 0.41                           | 1.14   | 3.5                        |
| 4" X 1-1/4"       | 1.25                            | 4.62               | 0.5                            | 0.71   | 8.31                       |
| 4" X 1-1/2"       | 1.25                            | 4.62               | 0.5                            | 0.72   | 8.31                       |
| 4" X 2"           | 1.25                            | 4.62               | 0.5                            | 0.76   | 8.31                       |
| 4" X 2-1/2"       | 1.25                            | 4.62               | 0.5                            | 1.14   | 8.31                       |
| 4" X 3"           | 1.25                            | 4.62               | 0.5                            | 1.20   | 8.31                       |

**\*NPT Threads on all fittings conform to ASME B1.20.1**

**\*\*L<sub>2</sub> is the effective length of threads per ASME B1.20.1**

**\*Dimensions comply with ASME B16.11**

**(Cautionary Note Regarding Hex Bushings: Hex head bushings of one-size reduction should not be used in services where they might be subject to harmful loads and forces other than internal pressures.)**