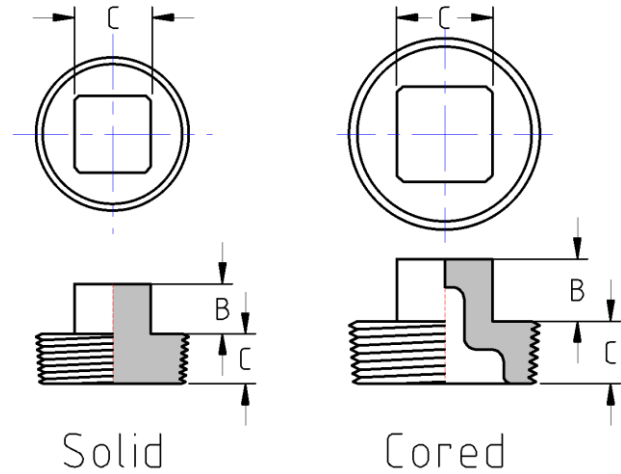




Threaded Square Head Plug  
Std Pattern  
**150# Cast Stainless Steel**  
Inches / Pounds



Nominal Pipe Size	Thread Length Min. (A)	Height of Square Min. (B)	Nominal Width Across Flats (C)	Solid or Cored	Approx. Weight (in Pounds)
1/8"	0.43	0.28	0.28	Solid	0.07
1/4"	0.46	0.28	0.35	Solid	0.08
3/8"	0.56	0.23	0.38	Solid	0.10
1/2"	0.51	0.42	0.51	Cored	0.21
3/4"	0.71	0.47	0.72	Cored	0.30
1"	0.79	0.49	0.75	Cored	0.51
1-1/4"	0.89	0.65	0.91	Cored	0.66
1-1/2"	0.91	0.68	1.04	Cored	0.90
2"	1.02	0.73	1.16	Cored	1.32
2-1/2"	1.12	0.77	1.56	Cored	2.9
3"	1.26	0.9	1.74	Cored	3.9
4"	1.48	0.88	2.34	Cored	6.2

***\*The material composition and quality comply with ASTM A351/A351M "Standard Specification for Castings, Austenitic, for Pressure-Containing Parts"***

***\*NPT Threads on all fittings conform to ASME B1.20.1***