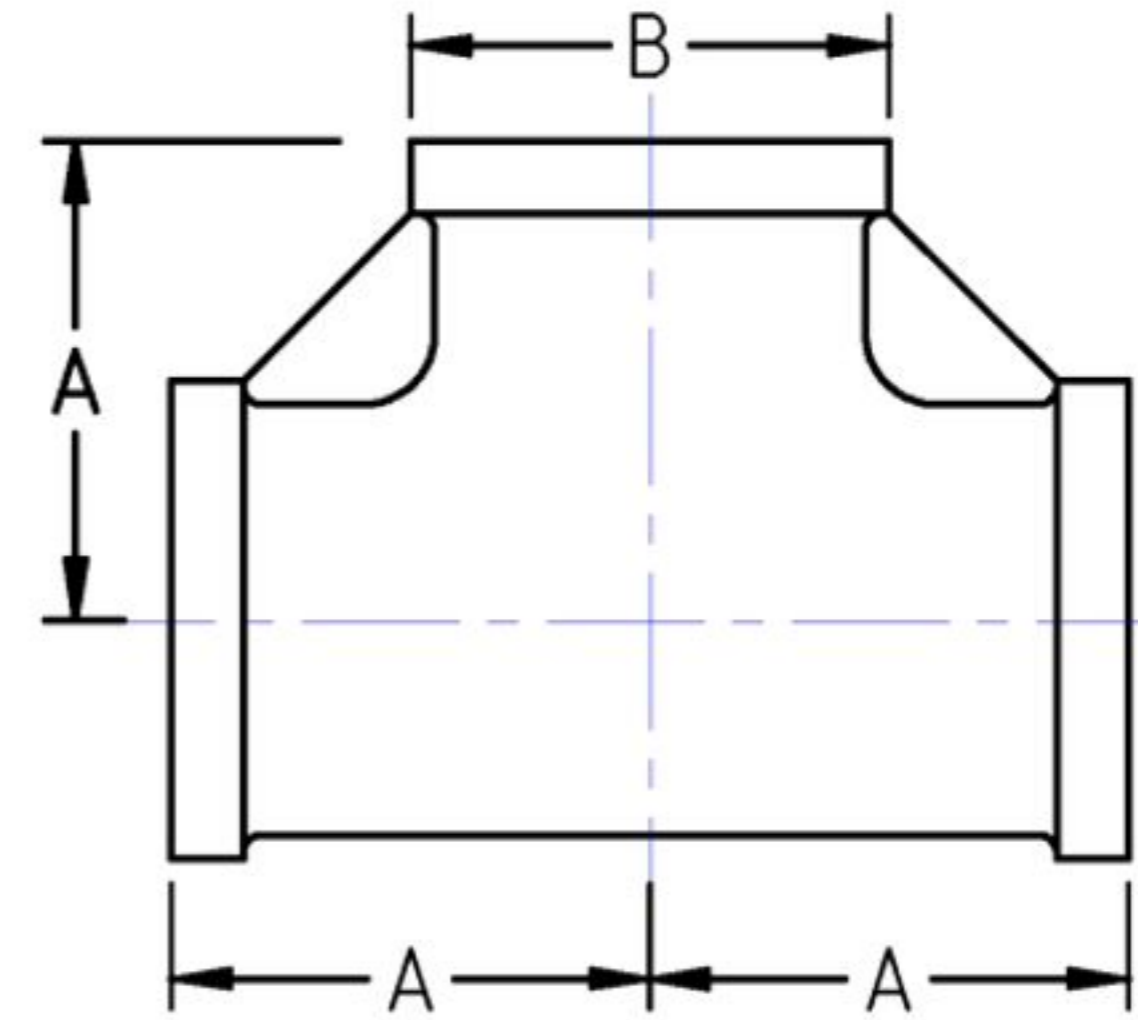




Threaded Tee Std Pattern  
**150# Cast Stainless Steel**  
Inches / Pounds



Nominal Pipe Size	Center to End (A)	Outside Diameter (B)	Approx. Weight (in Pounds)
1/8"	0.71	0.63	0.09
1/4"	0.77	0.75	0.11
3/8"	0.93	0.89	0.18
1/2"	1.14	1.11	0.27
3/4"	1.26	1.39	0.43
1"	1.44	1.69	0.68
1-1/4"	1.73	2.05	1.06
1-1/2"	1.89	2.32	1.46
2"	2.23	2.81	1.99
2-1/2"	2.68	3.52	4.7
3"	3.12	4.17	5.7
4"	3.82	5.26	9.1

***\*The material composition and quality comply with ASTM A351/A351M "Standard Specification for Castings, Austenitic, for Pressure-Containing Parts"***

***\*NPT Threads on all fittings conform to ASME B1.20.1***