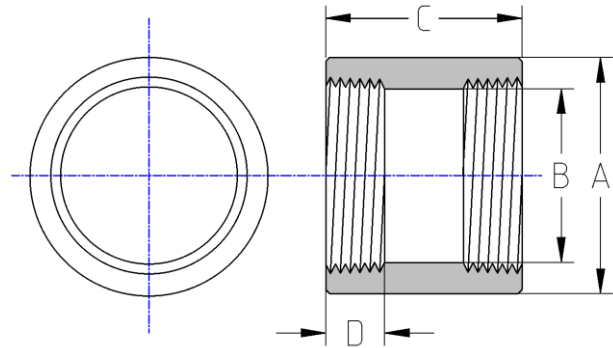




Threaded Full Coupling
MSS SP-114 Pattern
150# Cast Stainless Steel
Inches / Pounds



Nominal Pipe Size	Outside Diameter Min. (A)	Inside Diameter (B)	End to End (C)	Internal Thread Length Min. (D)	Nominal Metal Thickness**	Approx. Weight (in Pounds)
1/8"	0.75	0.34	1.01	0.26	0.09	0.12
1/4"	0.85	0.45	1.01	0.33	0.09	0.13
3/8"	1.02	0.58	1.13	0.37	0.10	0.18
1/2"	1.21	0.72	1.40	0.44	0.10	0.31
3/4"	1.47	0.93	1.52	0.51	0.12	0.46
1"	1.78	1.17	1.63	0.59	0.13	0.67
1-1/4"	2.16	1.52	2.01	0.68	0.14	1.12
1-1/2"	2.44	1.75	2.13	0.71	0.15	1.57
2"	2.97	2.23	2.52	0.76	0.17	2.32
2-1/2"	3.27	2.66	2.89	0.94	0.21	2.76
3"	4.01	3.29	3.20	0.99	0.23	4.10
4"	5.09	4.29	3.70	1.09	0.26	6.33

****The material composition and quality comply with ASTM A351/A351M "Standard Specification for Castings, Austenitic, for Pressure-Containing Parts"***

****NPT Threads on all fittings conform to ASME B1.20.1***

****Dimensions comply with MSS SP-114***

***** Patterns shall be designed to produce castings of metal thickness given in table. Metal thickness at no point shall be less than 90% of the nominal metal thickness value.***