

Lead Free Bronze Ball Valve

2 Piece, Full Port, Solder Connection, Stainless Steel Trim, Insulated Handle, 600 CWP, 150 WSP

S-200CSSG-IH



FEATURES

- Dezincification Resistant Lead Free Bronze
- Blow-Out Proof Stem
- Heavy Commercial Pattern
- 100% Leak Tested
- IAPMO Certified: NSF 61 & NSF 372 & NSF 14
- 29 in-Hg Vacuum Rating
- Wetted Surfaces Contain Less than .25% Lead Content

CERTIFICATIONS/APPROVALS

- *IAPMO Certified
 - NSF/ANSI/CAN 61-8 2018
 - NSF/ANSI 372-2016
 - IAPMO/ANSI Z1157-2014
 - ASME A112.4.14/CSA B125.14:22
 - NSF/ANSI 14-2016

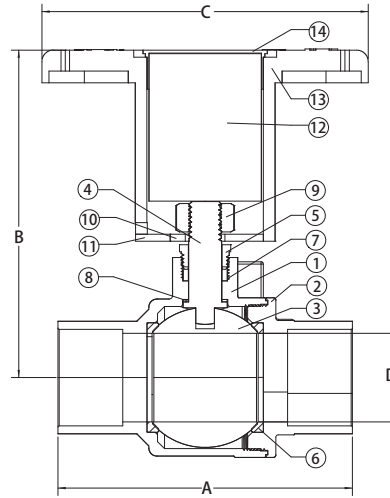
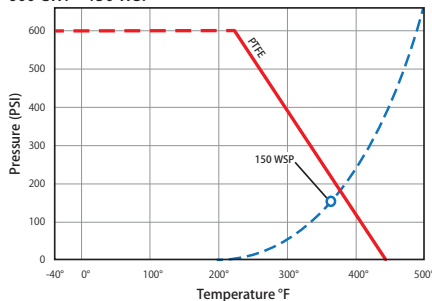
ASME/ANSI B16.18
Meets MSS SP-110

PRESSURE/TEMPERATURE RATING

100 PSIG at 300°F (up to 2")
600 PSIG at Ambient (up to 2")

VALVE SEAT RATING

600 CWP - 150 WSP



MATERIALS

No.	Part	Material
1	Body	Lead Free Bronze - C89836
2	Tailpiece	Lead Free Bronze - C89836
3	Ball	Stainless Steel 316
4	Stem	Stainless Steel 316
5	Packing Nut	Brass - C36000
6	Seat (2)	PTFE
7	Packing Gland	PTFE
8	Thrust Washer	PTFE
9	Handle Nut	Steel - Geomet® Plated
10	Slide	Chrome Plated Steel
11	Base Plate	Chrome Plated Steel
12	Foam Insert	Polystyrene
13	Handle	Nylon
14	Cap	LDPE
15*	Sleeve	CAB Tubing

*Not Pictured

DIMENSIONS

Part No	Size	A	B	C	D
200-413SSG-IH	1/2"	2.59	4.36	4.25	0.50
200-414SSG-IH	3/4"	3.36	4.65	4.25	0.75
200-415SSG-IH	1"	4.19	4.82	4.25	0.98
200-416SSG-IH	1-1/4"	4.46	4.99	4.25	1.24
200-417SSG-IH	1-1/2"	4.97	5.55	5.51	1.50
200-418SSG-IH	2"	6.02	5.85	5.51	1.97