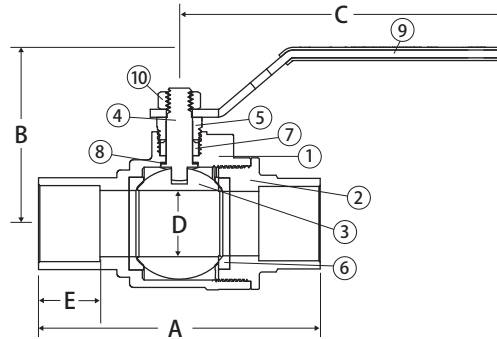


## Bronze Ball Valve

2 Piece, Full Port, Solder Connection, Stainless Steel Trim, 600 CWP, 150 WSP

**S-200CSS**



### FEATURES

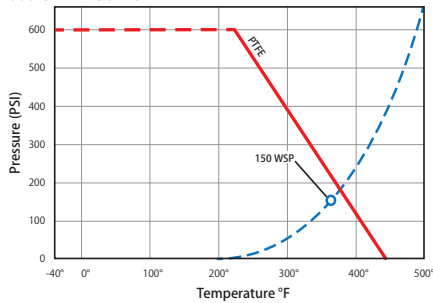
- Dezincification Resistant Bronze
- Blow-Out Proof Stem
- Heavy Commercial Pattern
- 100% Leak Tested
- 29 in-Hg Vacuum Rating

### CERTIFICATIONS/APPROVALS

- ASME/ANSI B16.18
- Meets MSS SP-110

### VALVE SEAT RATING

600 CWP - 150 WSP



### MATERIALS

No.	Part	Material
1	Body	Bronze - C84400
2	Tailpiece	Bronze - C84400
3	Ball	Stainless Steel 316
4	Stem	Stainless Steel 316
5	Packing Nut	Brass - C36000
6	Seat (2)	PTFE
7	Packing Gland	PTFE
8	Thrust Washer	PTFE
9	Handle	Stainless Steel 304
10	Handle Nut	Stainless Steel 304

### DIMENSIONS

Part No	Size	A	B	C	D	E
200-803	1/2"	2.59	2.01	3.97	0.50	0.50
200-804	3/4"	3.36	2.46	4.78	0.75	0.75
200-805	1"	4.19	2.62	4.78	0.98	0.91
200-806	1-1/4"	4.46	2.79	7.04	1.24	0.97
200-807	1-1/2"	4.97	4.10	7.04	1.50	1.09
200-808	2"	6.02	4.40	7.04	1.97	1.34