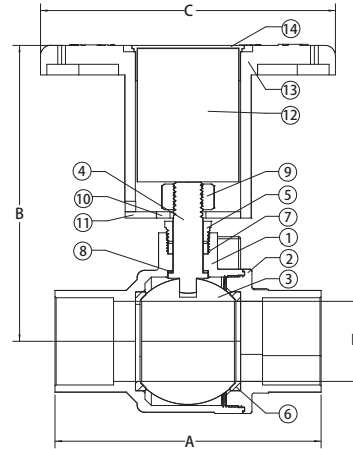


Bronze Ball Valve

2 Piece, Full Port, Solder Connection, Stainless Steel Trim, Insulated Handle, 600 CWP, 150 WSP

S-200CSS-IH



FEATURES

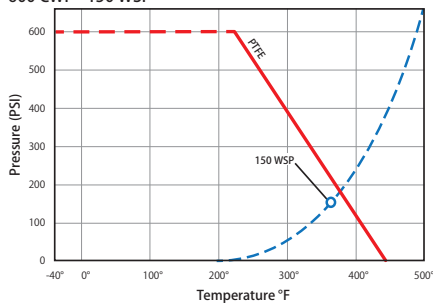
- Dezincification Resistant Bronze
- Blow-Out Proof Stem
- Heavy Commercial Pattern
- 100% Leak Tested
- 29 in-Hg Vacuum Rating

CERTIFICATIONS/APPROVALS

- ASME/ANSI B16.18
- Meets MSS SP-110

VALVE SEAT RATING

600 CWP - 150 WSP



MATERIALS

| No. | Part | Material |
|-----|---------------|------------------------|
| 1 | Body | Bronze - C84400 |
| 2 | Tailpiece | Bronze - C84400 |
| 3 | Ball | Stainless Steel 316 |
| 4 | Stem | Stainless Steel 316 |
| 5 | Packing Nut | Brass - C36000 |
| 6 | Seat (2) | PTFE |
| 7 | Packing Gland | PTFE |
| 8 | Thrust Washer | PTFE |
| 9 | Handle Nut | Steel - Geomet® Plated |
| 10 | Slide | Chrome Plated Steel |
| 11 | Base Plate | Chrome Plated Steel |
| 12 | Foam Insert | Polystyrene |
| 13 | Handle | Nylon |
| 14 | Cap | LDPE |
| 15* | Sleeve | CAB Tubing |

*Not Pictured

DIMENSIONS

| Part No | Size | A | B | C | D |
|------------|--------|------|------|------|------|
| 200-803-IH | 1/2" | 2.59 | 4.36 | 4.25 | 0.50 |
| 200-804-IH | 3/4" | 3.36 | 4.65 | 4.25 | 0.75 |
| 200-805-IH | 1" | 4.19 | 4.82 | 4.25 | 0.98 |
| 200-806-IH | 1-1/4" | 4.46 | 4.99 | 4.25 | 1.24 |
| 200-807-IH | 1-1/2" | 4.97 | 5.55 | 5.51 | 1.50 |
| 200-808-IH | 2" | 6.02 | 5.85 | 5.51 | 1.97 |