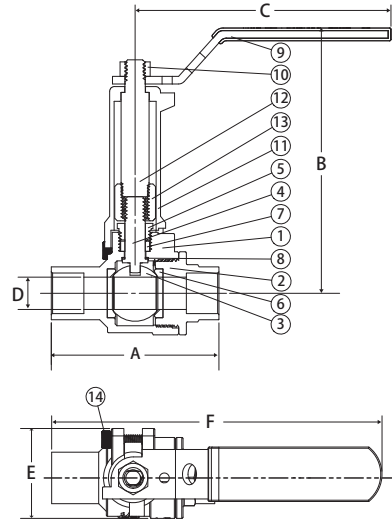


Bronze Ball Valve

2 Piece, Full Port, Solder Connection, Stainless Steel Trim, Extended Handle, 600 CWP, 150 WSP

S-200CSS-EH



FEATURES

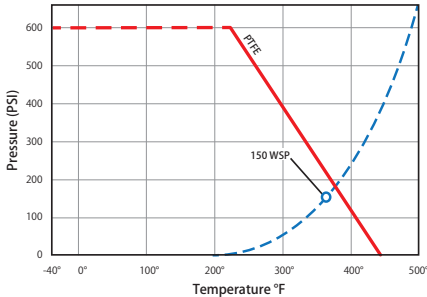
- Dezincification Resistant Bronze
- Blow-Out Proof Stem
- Heavy Commercial Pattern
- 100% Leak Tested
- 29 in-Hg Vacuum Rating

CERTIFICATIONS/APPROVALS

- ASME/ANSI B16.18
- Meets MSS SP-110

VALVE SEAT RATING

600 CWP - 150 WSP



MATERIALS

No.	Part	Material
1	Body	Lead Free Bronze - C89836
2	Tailpiece	Lead Free Bronze - C89836
3	Ball	Stainless Steel 316
4	Stem	Stainless Steel 316
5	Packing Nut	Brass - C36000
6	Seat (2)	PTFE
7	Packing Gland	PTFE
8	Thrust Washer	PTFE
9	Handle	Stainless Steel 304
10	Handle Nut	Stainless Steel 304
11	Extension Pipe	ASTM B584 C85700
12	Extension Stem	Stainless Steel 316
13	Screw Ring	ASTM B16 C36000
14	Screw	Stainless Steel 316

DIMENSIONS

Part No	Size	A	B	C	D	E	F
200-803-EH	1/2"	2.59	4.11	3.96	0.50	1.43	5.26
200-804-EH	3/4"	3.36	4.49	4.76	0.75	1.69	6.45
200-805-EH	1"	4.19	4.65	4.76	0.98	1.97	6.86
200-806-EH	1-1/4"	4.47	4.85	5.56	1.26	2.30	7.78
200-807-EH	1-1/2"	4.97	5.43	6.98	1.50	2.65	9.47
200-808-EH	2"	6.03	5.74	6.98	1.97	3.47	9.99

WARNING: This product can expose you to chemicals including lead, which is known to the State of California to cause cancer, birth defects or other reproductive harm. For more information go to www.P65Warnings.ca.gov.