

# Lead Free Brass Ball Valve



**2 Piece • Full Port • Solder Connection • with Stainless Steel Ball and Stem • 600 WOG**



CRN# 0C16887.5469870YTN

**S-100CSSG**

## Features

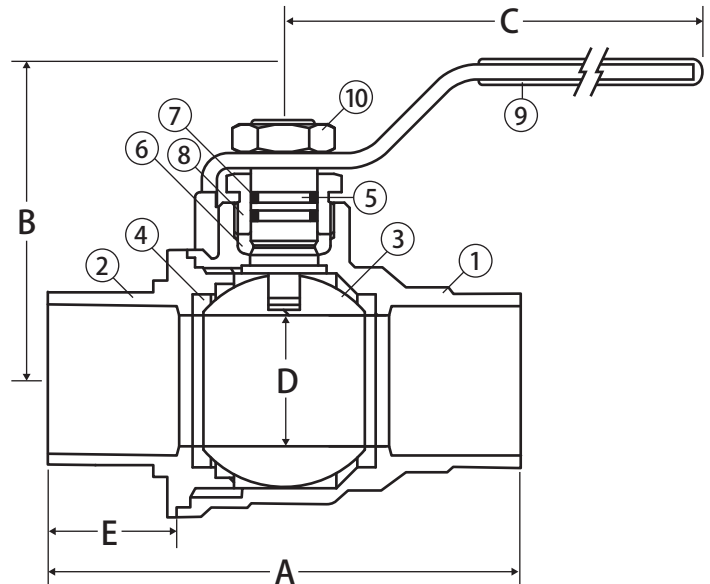
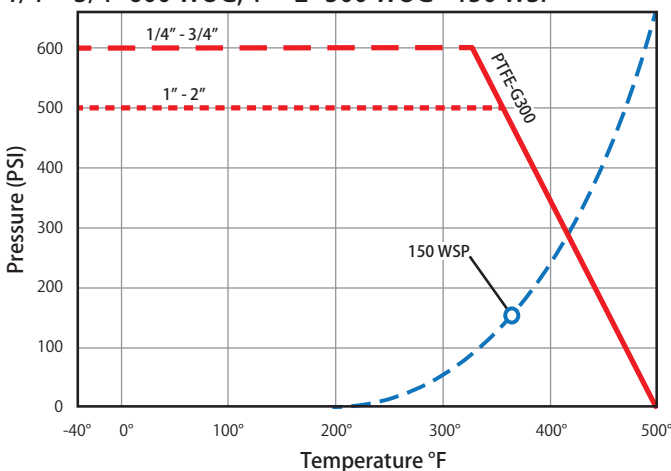
- Dezincification resistant brass alloy
- Triple sealing stem with 2 FKM o-rings and PTFE G300 seal
- Blow-out proof stem
- 100% leak tested
- 100% Made in Italy
- Leakproof stem - Lifetime Warranty
- 29 in-Hg vacuum rating
- Wetted surfaces contain less than .25% lead content
- Accessories available

## Approvals

- NSF 372
- NSF 61-8
- NSF 61 - Annex G
- MSS SP-110
- ASME/ANSI B16.18
- Meets ISO 6509

## Valve Seat Rating

1/4" - 3/4" 600 WOG, 1" - 2" 500 WOG - 150 WSP



## Material Specifications

No.	Part	Materials
1	Body	Lead Free Brass - C27453
2	End Connection	Lead Free Brass - C27453
3	Ball	316 Stainless Steel
4	Seat (2)	PTFE G300
5	Stem	316 Stainless Steel
6	Packing	PTFE G300
7	Stem O-ring (2)	FKM
8	Packing Gland	Brass - C38500
9	Handle	Steel - Geomet® Plated
10	Handle Nut	Steel - Geomet® Plated

## Dimensions

Part No.	Size	A	B	C	D	E	Cv
100-413SSG	1/2"	2.48	1.56	2.95	0.59	0.51	16.82
100-414SSG	3/4"	3.26	2.05	3.74	0.79	0.76	34.80
100-415SSG	1"	3.94	2.55	4.75	0.97	0.92	52.20
100-416SSG	1-1/4"	4.50	2.66	4.75	1.23	0.98	112.52
100-417SSG	1-1/2"	5.07	3.31	6.00	1.49	1.10	174.00
100-418SSG	2"	6.22	3.60	6.00	1.99	1.34	255.20

**WARNING:** This product can expose you to chemicals including lead, which is known to the State of California to cause cancer, birth defects or other reproductive harm. For more information go to [www.P65Warnings.ca.gov](http://www.P65Warnings.ca.gov).

