

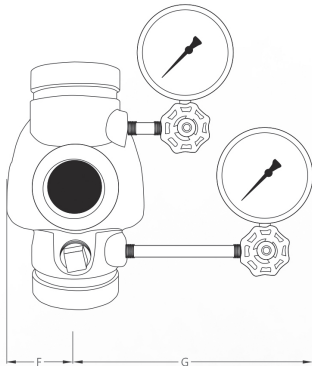
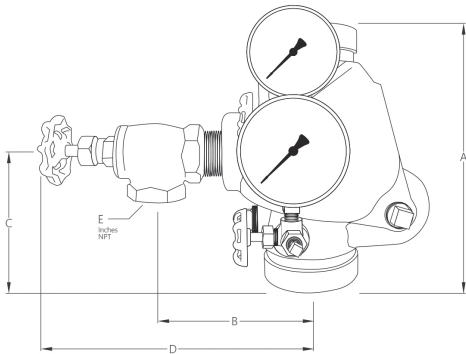
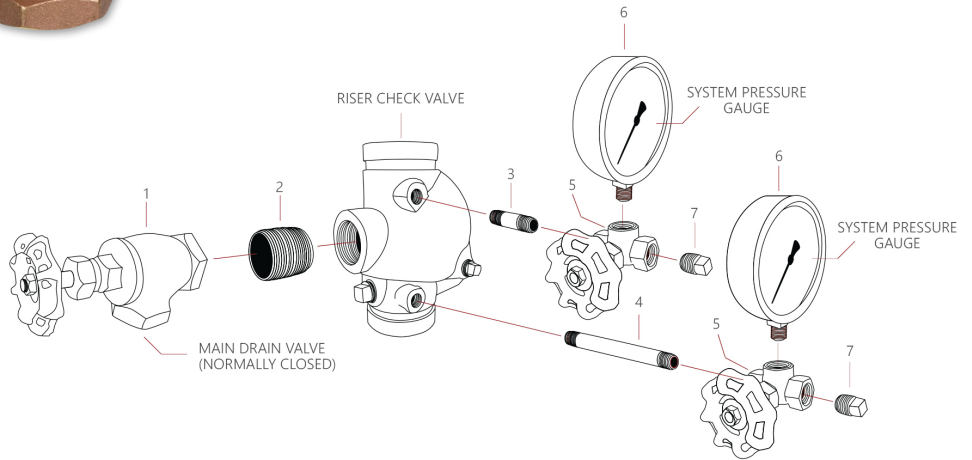
RISER SWING CHECK VALVE TRIM KIT



Trim Kit Includes:

1. Angle Valve 200#
2. Valve Size x Close Nipple
3. 1/4" x 1-1/2" Nipple
4. 1/4" x 5-1/2" Nipple
5. Two 1/4" 3-Way Valves
6. Two Fire Sprinkler Gauges Air-Water (UL, FM)
7. Two 1/4" Plugs

Trim Kit can be used to meet NFPA 13 requirements (7.1.1.2) for pressure gauges to be installed.



DIMENSIONS								
Trim Kit item #	SIZE	A	B	C	D	E	F	G
6520315	2"	6.7"	5.0"	3.9"	8.7"	1"	1.75"	7.25"
6520316	2-1/2"	7.2"	5.2"	3.6"	8.75"	1-1/4"	1.75"	8.75"
	3"	7.7"	5.4"	4.0"	9.0"	0.3"	1.5"	8.75"
6520317	4"	8.1"	6.75"	4.5"	13.4"	2"	2.75"	8.5"
6520318	6"	12.6"	7.75"	5.75"	14.5"	2"	4.0"	9.25"
	8"	14.6"	8.7"	6.25"	15.0"	2"	5.0"	11.75"

System No.		Location		Spec Section		Paragraph	
Submitted By		Date		Approved		Date	

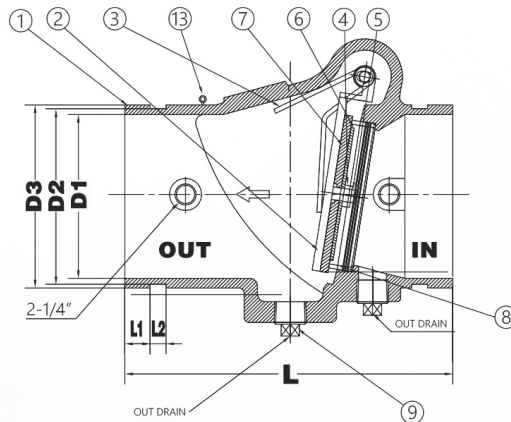
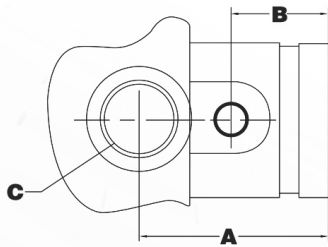
RISER SWING CHECK VALVE GROOVED ENDS



Technical Features

- Connections: Grooved Ends (AWWA C606)
- Sizes: 2", 2-1/2", 3", 4", 6", 8"
- Approvals: UL, ULC, and FM
- Working Pressure: 300PSI
- Temperature Range: 250°F (120°C)
- Can be installed horizontally or vertically
- Application: Indoor and Outdoor Use
- Coating: Fusion Bonded Epoxy Coated

Trim Kit can be used to meet NFPA 13 requirements (7.1.1.2) for pressure gauges to be installed.



MATERIALS		
PART #	DESCRIPTION	STANDARD
1	Valve Body	Ductile Iron ASTM A536
2	Clapper	Stainless Steel 304
3	Spring	Stainless Steel 304
4	Nut	Stainless Steel 304
5	Bolt	Carbon Steel Zinc Plated
6	Washer	Stainless Steel 304
7	Disc Seating Ring	EPDM
8	Seat Ring	ASTM B62 C83600
9	Plug	Malleable Iron Galvanized
10	Plug	Malleable Iron Galvanized
11	Bushing	Carbon Steel Zinc Plated
12	Hinge Pin	Stainless Steel 304
13	Hook	Carbon Steel Zinc Plated

DIMENSIONS											
item #	SIZE	D1	D2	D3	L	L1	L2	A	B	C	WEIGHT
6520310	2"	1.9"	2.2"	2.4"	3.7"	0.6"	0.3"	3.7"	1.7"	1.0"	8.0 lbs
6520311	2-1/2"	2.4"	2.7"	2.9"	7.2"	0.6"	0.3"	3.7"	1.6"	1.3"	8.5 lbs
6520312	3"	2.9"	3.3"	3.5"	7.7"	0.6"	0.3"	3.8"	1.7"	1.3"	10.5 lbs
6520313	4"	3.9"	4.3"	4.5"	8.1"	0.6"	0.3"	4.4"	2.0"	2.0"	17.0 lbs
6520314	6"	6.1"	6.4"	6.6"	12.6"	0.6"	0.3"	5.7"	2.4"	2.0"	42.5 lbs
6520314A	8"	7.9"	8.5"	8.6"	14.6"	0.8"	0.4"	6.9"	2.8"	2.0"	66.5 lbs

System No.		Location		Spec Section		Paragraph	
Submitted By		Date		Approved		Date	