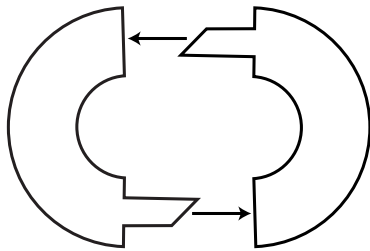


REPLACEMENT ESCUTCHEONS TWO PIECE RECESSED WITH SPLIT CUP



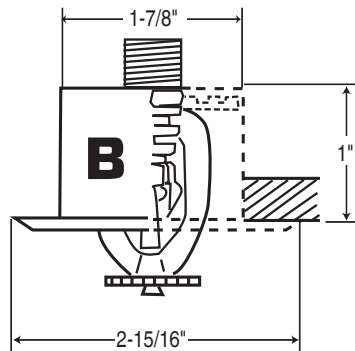
DESCRIPTION

The recessed canopy has been widely accepted as the preferred method of finished sprinkler head installation. The replacement version provides an alternative for replacing previously installed recessed canopies that have become damaged or unsightly due to over painting, rust or other environmental contaminants. Use this replacement recessed canopy when the fire sprinkler system cannot be shut down or when a system shut down is not preferred. The two part retainer slides together then is eld in place by the skirt which slides up onto the retainer just like an ordinary recessed canopy. Available in Chrome or White finish.



Cup Top View

Two piece split cup opens
then fastens around pipe
...skirt fits around cup



- 010-1018 mild steel construction
- 0.40 mm thick
- 1/2" IPS hole

4520259	Recessed Escutcheon Split Cup & Skirt (Chrome Plated)
4520259WH	Recessed Escutcheon Split Cup & Skirt (White)

Installation

Proper installation of the recessed sprinkler escutcheon can be accomplished with tools ordinarily found on the job site. The installer must make sure that the face of the reducing coupling must extend to within 3/4" of the finished ceiling material but no farther than flush with the finished ceiling. Remove the existing sprinkler escutcheon without damaging the sprinkler. Never pry against or use the installed sprinkler for leverage. Place each retainer half around the exposed sprinkler head threads at the same location as the previously installed retainer. Then slide the skirt up onto the retainer to hold the retainer halves in place. Firmly push the skirt over the retainer until the skirt is firmly seated against the finished ceiling. Installation is now complete. Make sure the final installation meets all sprinkler head manufacturer requirements for recessed sprinklers.

**FOR MORE INFORMATION CALL ARGCO AT 800-854-1015
OR LOG ONTO ARGCO.COM**