

# data sheet

## ARGCO

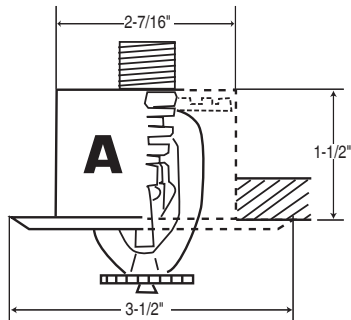


### TWO PIECE RECESSED ESCUTCHEONS

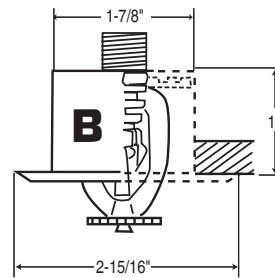


General Character:  
Type 1010-1018  
mild steel  
0.40 - 0.42 mm thick  
1/2" and 3/4" ips

**SIX STOCK FINISHES:** Chrome Plated, White, Brass, Antique Brass, Off-White, Black



**Large** (1-1/4" Adjustment)  
4510081: 1/2" IPS  
4510085: 3/4" IPS

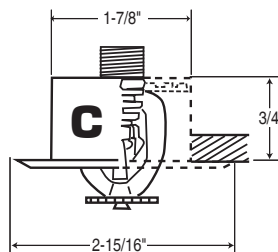


**Standard**  
3/4" Adjustment  
4510071: 1/2" IPS  
4510075: 3/4" IPS



Underwriter's  
Laboratories  
File EX4170

UL	SPR. MFR.	SPRINKLER IDENTIFICATION # / TEMP. RATING	MODEL	SPR. MFR.	SPRINKLER IDENTIFICATION # / TEMP. RATING	MODEL
	Underwriter's Laboratories File EX4170 Center # 1183 General Character: Type 1010-1018 mild steel 0.40 - 0.42 mm thick 1/2" and 3/4" ips	RELIABLE	R-1712, R-1715 (135°, 155°, 175°, 200°F) R-3615, R-3612 (155°, 175°F)	B	TYCO	TY3251, TY-3204, TY-3304, TY-4251, TY4951 (135°, 155°, 175°, 200°F) TY-3351 (135°, 155°, 175°, 200°, 286°, 360° F)
	AFAC	AS-2701, AS-4001, AS-5601, AS-2751, AS-4051, AS-5651 (155°, 200°, 256°F)	B	STAR	S-1801 (135°, 165°, 212°F) S-2851, S-2971, S-2976, S-2980 (135°, 155°, 175°, 200°F) S-2973, S-2977 (135°, 155°, 175°, 200°, 286° F)	B
	CENTRAL	C-1711, C-2711, C-3211 (135°, 145°, 165°, 212° F) C-3201, C-2201 (135°, 145°, 165°, 212° F)	B	GRINNELL	G-8071, G-8072, G-8172 (140°, 165°, 212°F) G-3122 (135°, 165°, 212°F)	A
	VIKING	VK-102, VK-202, VK-003, VK-004 (135°, 145°, 165°, 200°, 212° F)	B	GLOBE	GL-2851, GL-4251, GL-2801, GL4201 (135°, 155°, 175°, 200°, 286°F)	B



**Short**  
1/2" Adjustment  
4510068: 1/2" IPS  
4510065: 3/4" IPS

# data sheet

# ARGCO



## TWO PIECE RECESSED ESCUTCHEONS INSTALLATION

If the proposed installation of ARGCO's Recessed Escutcheons requires recessing any of the heat sensitive operating element, some Authorities Having Jurisdiction may limit the use, depending on the occupancy classification. Refer to the Authority Having Jurisdiction prior to installation.

The escutcheon is made to thread onto the sprinkler head prior to installing the sprinkler into the fitting. The escutcheon must be attached to the sprinkler prior to applying pipe-joint compound or Teflon® tape to the sprinkler threads.

**NOTE:** Sprinklers with protective caps or bulb shields must be contained within the caps or shields before applying pipe-joint compound or tape.

Refer to the appropriate sprinkler technical data page for additional warnings and installation instructions and then install the escutcheons according to the following sequence.

**Step 1:** Install all piping and cut the sprinkler nipple so that the reducing coupling is at the desired location and centered in a minimum 2" to a maximum 2-7/8" diameter opening in the ceiling or wall for the escutcheons.

**Step 2:** Secure the escutcheon cup onto the sprinkler by hand turning the adapter clockwise onto the sprinkler threads. The face of the cup should rest on the shoulder of the sprinkler wrench boss.

**Step 3:** Apply a small amount of pipe-joint compound or Teflon® tape to the external threads of the sprinkler only, taking care not to allow a build-up of compound in the sprinkler inlet.

**Step 4:** Install the sprinkler into the coupling using the special recessed sprinkler wrench only, taking care not to over-tighten or damage the sprinkler operating parts. DO NOT use the escutcheon, sprinkler deflector, or fusible element to start or thread the sprinkler into a fitting.

**Step 5:** Test the system as required and repair all leaks. If a thread leak occurs, normally the unit must be removed, new pipejoint compound or Teflon® tape applied, and then re-installed. This is due to the fact that when the joint seal leaks, the sealing compound or tape is washed out of the joint.

**Step 6:** Remove plastic protective sprinkler caps and bulb shields AFTER the wall or ceiling finish work is completed where the sprinkler is installed and there no longer is a potential for mechanical damage to the sprinkler operating elements. To remove the bulb shields, simply pull the ends of the shields apart where they are snapped together. To remove caps from frame style sprinklers, turn the caps slightly and pull them off the sprinklers.

**Step 7:** After installing the ceiling or wall with the required opening size, thread on the outer escutcheon cup until the flanges touch the surface of the ceiling or wall.

