

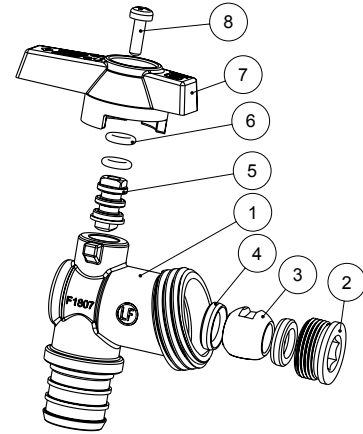
Feature

- 125# CWP
- Lead free brass body
- PEX (F1807) x Hose
- Chrome plated ball
- Virgin PTFE seats
- No Kink spout
- Double NBR O-ring packing
- AB1953, NSF/ANSI 61 & 372 certified



Material

	Part	Material	Specification
1	Body	DZR Lead Free Brass	ASTM B927 C27453
2	End piece	Lead Free Brass	ASTM B927 C27450
3	Ball	Lead Free Brass/Cr Plated	ASTM B927 C27450
4	Seat	PTFE	PTFE
5	Stem	Lead Free Brass	ASTM B927 C27450
6	O-ring	NBR	NSF Approved
7	Handle	Aluminum	-
8	Handle nut	Steel / Zn Plated	ASTM 36



Dimension

	A [in]	H [in]	H1 [in]	L [in]	Wt. [lb]
1/2"	1.32	1.20	1.34	1.89	0.23
3/4"	1.32	1.20	1.34	1.89	0.26

