

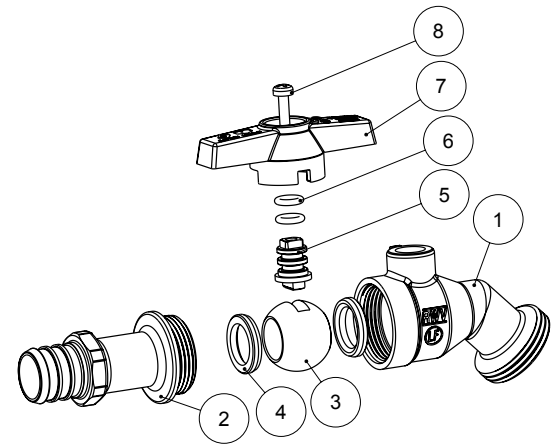
**Feature**

- 125# CWP
- Lead free brass Body
- PEX (F1807) x Hose
- Chrome plated ball
- Virgin PTFE Seats
- No Kink Spout
- Double NBR O-ring Packing
- AB1953, NSF/ANSI 61 & 372 certified



**Material**

	Part	Material	Specification
1	Body	Lead Free Brass	UNS C28000
2	End piece	Low Lead DZR Brass	UNS C27453
3	Ball	Low Lead Brass/Cr Plated	UNS C28000
4	Seat	PTFE	PTFE
5	Stem	Low Lead Brass	UNS C28000
6	O-ring	NBR	NSF Approved
7	Handle	Aluminum	-
8	Handle nut	Steel / Zn Plated	ASTM A36



**Dimension**

	A	A1	H	H1	L	P	Wt.
	[in]	[in]	[in]	[in]	[in]	[in]	[lb]
1/2"	3.98	2.26	1.37	0.91	2.20	0.50	0.38
3/4"	3.98	2.26	1.37	0.91	2.20	0.50	0.39

