

Feature

- 125# CWP
- MNPT x Hose
- Threaded end (ASME B1.20.1-NPT)
- Male NH (ASME B1.20.7)
- Double O-ring stem packing
- Virgin PTFE seats
- Washerless construction
- Quarter turn

Meet BAA requirement

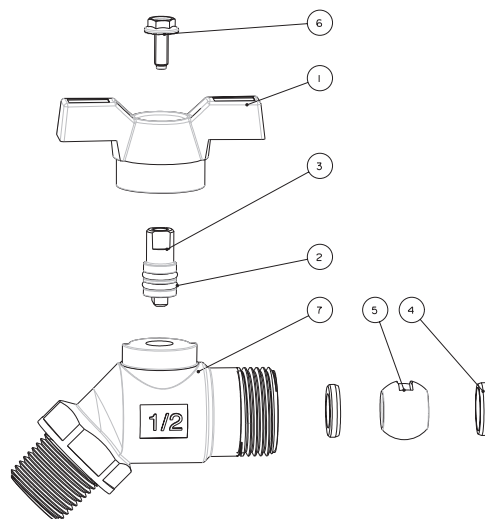
Option: Blue handle available (RW-302PPBLUE)

Pressure/ Temperature rating	
125 CWP	180 °F max.



Material

	Part	Material	Specification
1	Handle	Nylon	PA6-30G
2	O-ring	NBR 70SH	NSF approved
3	Stem	Brass	ASTM B283 C37700
4	Seat	PTFE	PTFE
5	Ball	Brass / Cr plated	ASTM B124 C37700
6	Screw	Steel / Geomet® plated	ASTM A36
7	Body	Polypropylene	PP-30G



Dimension, Weight

	ND	NH	A	B	H	I	L	M	N	Wt.
			[in]	[in]	[in]	[in]	[in]	[in]	[in]	[lb]
1/2"	1/2 - 14 NPT	3/4 - 11.5 NH	2.99	1.40	1.62	1.18	2.40	2.80	3.61	0.18
3/4"	3/4 - 14 NPT	3/4 - 11.5 NH	2.99	1.40	1.62	1.18	2.40	2.80	3.61	0.16

