

Building connections that last™

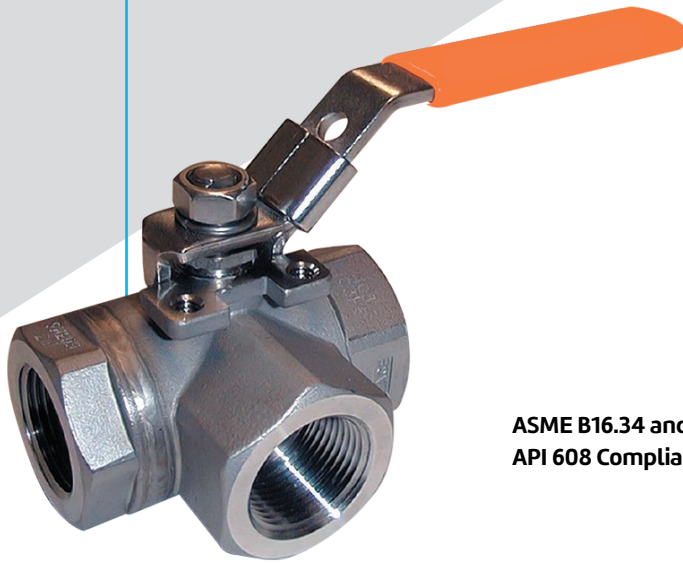


TB QVA

Seal Welded 3-Way Ball Valves Datasheet



Seal Welded 3-Way Ball Valves TB QVA



**ASME B16.34 and
API 608 Compliant**

Features

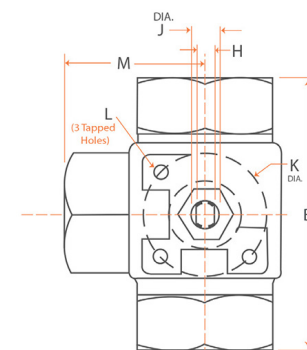
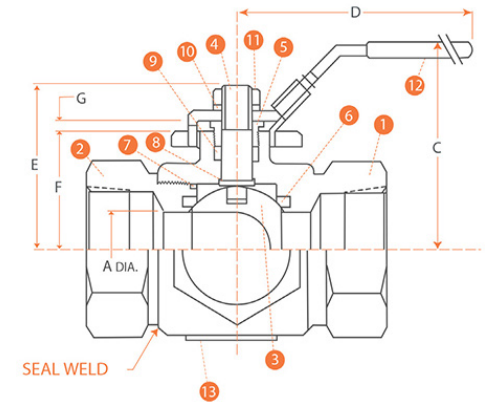
- Seal Welded Construction for Safety
- Available in WCB Carbon Steel with 316SS Trim, or Full CF8M/316 Stainless Trim
- 2160WOG Rating on CF8M, 2220WOG on WCB
- Fully Compliant with ASME B16.34 Class 900
- All Models are NACE MR-01-75 Compliant
- "L" Port Design can Replace (2) Valves
- Fully Compliant with API608
- Standard ISO Actuator Mounting Pads on all Sizes
- Standard Locking Stainless Steel Handles
- The Safest 3-Way Valve Available.

Ratings

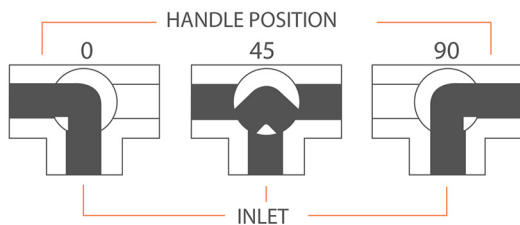
2220 PSIG @100°F Water, Oil, Gas (WCB)
2160 PSIG @100°F Water, Oil, Gas (CF8M)
250 PSIG Sat. Steam

Materials of Construction

Part	Description	Standard Material
1	Body	CF8M or WCB
2	Tailpiece	CF8M or WCB
3	Ball	ASTM A276 GR. 316 SS
4	Stem	ASTM A276 GR. 316 SS
5	Packing Nut	ASTM A276 GR. 316 SS
6	Seats (2)	R-PTFE
7	Tailpiece Seal	Graphite
8	Thrust Washer	PTFE
9	Stem Packing	Graphite
10	Lock Washer	304 SS
11	Handle Nut	304 SS
12	Handle Assy	304 SS
13	Name Plate	300 SS

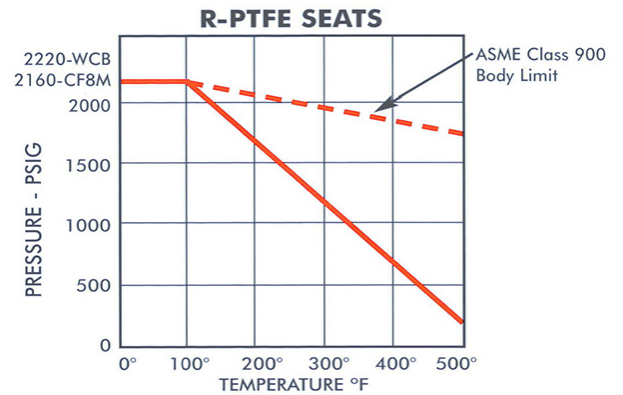
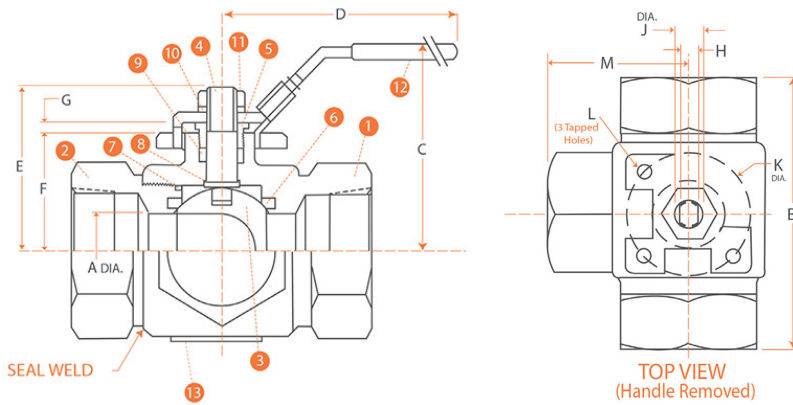
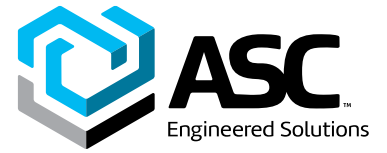


TOP VIEW
(Handle Removed)



Seal Welded 3-Way Ball Valves

TB QVA



Dimensions, Weights, Cv Factors & Maximum Operating Torque

Size	A (PORT)	B	C	D	E	F	G	H	J DIA	K DIA	L (3 TAPPED HOLES)	M	ISO PATTERN	Weight Lbs.	CV	Max Torque (R-PTFE)
1/4-3/8"	0.43	2.7	2.3	5.1	1.53	0.78	0.35	0.2	0.31	1.42	1/4" -20 UNC	1.4	F03	1.3	4	40 IN-LB
1/2"	0.43	2.7	2.3	5.1	1.53	0.78	0.35	0.2	0.31	1.42	1/4" -20 UNC	1.4	F03	1.3	5	75 IN-LB
3/4"	0.59	3.1	2.8	5.8	2.06	1.03	0.43	0.28	0.44	1.65	1/4" -20 UNC	1.6	F04	2.3	12	120 IN-LB
1"	0.79	3.6	2.9	5.8	2.33	1.34	0.40	0.28	0.44	1.65	1/4" -20 UNC	1.8	F04	3.0	15	140 IN-LB
1-1/4"	1.00	4.1	3.5	7.4	2.76	1.61	0.45	0.35	0.56	1.97	1/4" -20 UNC	2.1	F05	5.0	20	250 IN-LB
1-1/2"	1.25	4.3	3.7	7.4	2.98	1.83	0.45	0.35	0.56	1.97	1/4" -20 UNC	2.2	F05	7.0	33	350 IN-LB
2"	1.50	5.0	4.0	7.4	3.18	2.00	0.47	0.35	0.56	1.97	1/4" -20 UNC	2.6	F05	10.5	48	420 IN-LB

Numbering System How to order TB QVA

TB	R	S	S	R	G	SL	TT	100	
Series	Port Size	Body Material	Ball/Stem Material	Seat Material	Seal Material	Handle Type	Ends	Size	
Seal Welded 3-Way TB 2160WOG (SS) 2220WOG (CS)	R Reduced	S Stainless (ASTM A351-CF8M)	S 316 Stainless	R R-PTFE	G Graphite	SL Stainless Latch Lock (Standard)	TT FNPT	025 1/4"	
	F Full (1/4" - 3/8")	C Carbon (A216-WCB)				R R-PTFE		SO Stainless Oval	038 3/8"
						LO Locking Stainless Oval		050 1/2"	
	ST 304SS Tee Handle	075 3/4"							
	PA Double Acting Pneumatic	100 1"							
	SA Spring Return Pneumatic	125 1-1/4"							
	SR Deadman Handle	150 1-1/2"							
	EA 115VAC Electric Actuated	200 2"							

About ASC Engineered Solutions

ASC Engineered Solutions is defined by quality—in its products, services and support. With more than 1,400 employees, the company's portfolio of precision-engineered piping support, valves and connections provides products to more than 4,000 customers across industries, such as mechanical, industrial, fire protection, oil and gas, and commercial and residential construction. Its portfolio of leading brands includes ABZ Valve®, AFCON®, Anvil®, Anvil EPS, Anvil Services, Basic-PSA, Beck®, Catawissa, Cooplet®, FlexHead®, FPPI®, Gruklok®, J.B. Smith, Merit®, North Alabama Pipe, Quadrant®, SCI®, Sharpe®, SlideLOK®, SPF® and SprinkFLEX®. With headquarters in Commerce, CA, and Exeter, NH, ASC also has ISO 9001:2015 certified production facilities in PA, TN, IL, TX, AL, LA, KS, and RI.



asc-es.com

Building connections that last™

FC-DS-TB QVA-v0120210527

