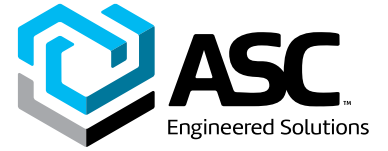


Building connections that last™



Series S1

Seal Welded, 1000 PSI,
Stainless Steel Ball Valve
Datasheet



Seal Welded, 1000 PSI,
Stainless Steel Ball Valves
Series S1



Features

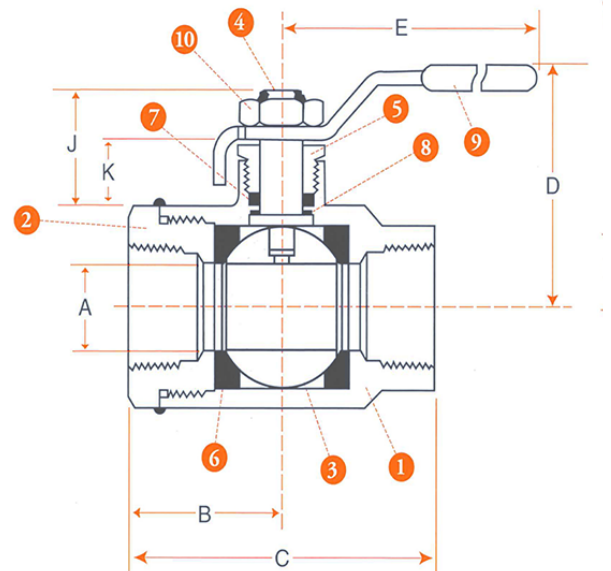
- One Piece – Seal Welded Construction
- All sizes are Full Port
- 1000 PSI CWP Rating
- 150 PSIG Saturated Steam Rating
- All Models are NACE MR-01-75 Compliant
- CF8M Bodies and Tailpieces, 316 Stainless Steel Internals
- Standard Actuator Mounting Pads on all Sizes
- Standard Stainless Steel Locking Handles
- Locking Oval Handles Available in Stainless Steel
- The Ultimate in Safe Design!

Ratings

1000 PSIG @100°F
150 PSIG Saturated Steam

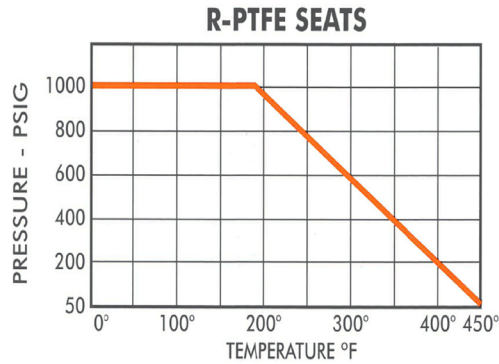
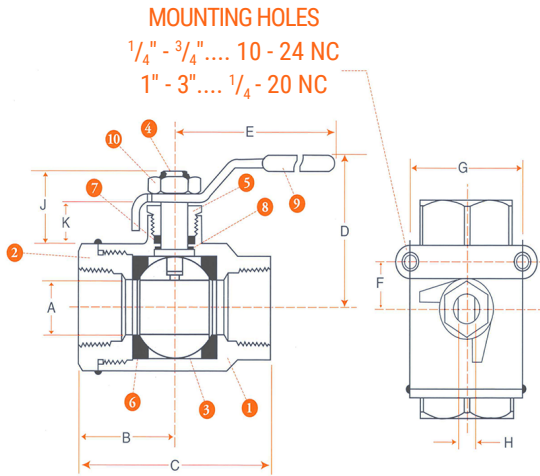
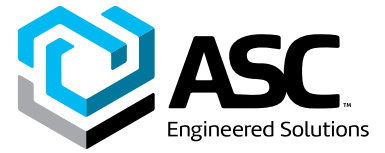
Materials of Construction

Part	Description	Standard Material	Optional Material(s)
1	Body	ASTM A351 Gr. CF8M	
2	Tailpiece	ASTM A351 Gr. CF8M	
3	Ball	ASTM A276 Gr. 316	
4	Stem	ASTM A276 Gr. 316	
5	Packing Nut	ASTM A276 Gr. 316	
6	Seats (2)	R-PTFE	Steam Seats
7	Packing	R-PTFE	Graphite
8	Thrust Washer (2)	R-PTFE	
9	Handle Assy	Stainless Steel w/ Vinyl	Stainless Locking Oval
10	Handle Nut	Stainless Steel	



Seal Welded, 1000 PSI, Stainless Steel Ball Valves

Series S1



Dimensions, Weights, Cv Factors & Maximum Operating Torque

Size	A (Port)	B	C	D	E	F	G	H	J	K	Weight Lbs.	C _v	Max Torque
1/4-3/8"	0.43	1.1	2.2	2.2	4.2	0.5	1.12	0.20	0.82	0.49	0.58	10	60 IN-LB
1/2"	0.56	1.3	2.6	2.3	4.3	0.5	1.38	0.20	0.98	0.58	0.75	16	60 IN-LB
3/4"	0.81	1.5	3.0	2.8	5.8	0.87	1.38	0.28	1.32	0.71	1.47	32	120 IN-LB
1"	1.0	1.7	3.5	3.0	5.8	0.87	1.5	0.28	1.32	0.71	2.23	62	160 IN-LB
1-1/4"	1.25	2.0	4.0	3.6	7.5	0.93	1.5	0.35	1.44	0.81	3.47	115	180 IN-LB
1-1/2"	1.5	2.2	4.4	3.9	7.5	0.93	1.5	0.35	1.46	0.81	5.35	140	260 IN-LB
2"	2.0	2.5	5.0	4.3	8.1	1.0	1.5	0.35	1.46	0.82	7.99	365	400 IN-LB
2-1/2"	2.5	3.3	6.6	5.0	10	1.37	2.75	0.39	1.87	0.94	15.1	450	500 IN-LB
3"	3.0	3.6	7.2	5.4	10	1.37	2.75	0.39	1.80	0.85	22.1	1100	800 IN-LB

Numbering System How to order Series S1

S1	F	S	S	R	R	SL	TT	100
Series	Port Size	Body Material	Ball/Stem Material	Seat Material	Seal Material	Handle Type	Ends	Size
S1	F Full	S Stainless (CF8M)	S 316 Stainless	R R-PTFE Z Steam Seats	R R-PTFE G Graphite	SL Stainless Latch Lock SO Stainless Oval LO Stainless Locking Oval PA Double Acting Pneumatic SA Spring Return Pneumatic	TT FNPT	025 1/4" 038 3/8" 050 1/2" 075 3/4" 100 1" 125 1 - 1/4" 150 1 - 1/2" 200 2"

Note:
 Responsibility for proper selection, use and maintenance of any product remains solely with the purchaser and end user. We reserve the right to modify or improve the designs or specifications of any product at any time without notice.

About ASC Engineered Solutions

ASC Engineered Solutions is defined by quality—in its products, services and support. With more than 1,400 employees, the company's portfolio of precision-engineered piping support, valves and connections provides products to more than 4,000 customers across industries, such as mechanical, industrial, fire protection, oil and gas, and commercial and residential construction. Its portfolio of leading brands includes ABZ Valve®, AFCON®, Anvil®, Anvil EPS, Anvil Services, Basic-PSA, Beck®, Catawissa, Cooplet®, FlexHead®, FPPI®, Golvlok®, J.B. Smith, Merit®, North Alabama Pipe, Quadrant®, SCI®, Sharpe®, SlideLOK®, SPF® and SprinkFLEX®. With headquarters in Commerce, CA, and Exeter, NH, ASC also has ISO 9001:2015 certified production facilities in PA, TN, IL, TX, AL, LA, KS, and RI.



asc-es.com

Building connections that last™

FC-DS-Series-S1-v02 20221116

