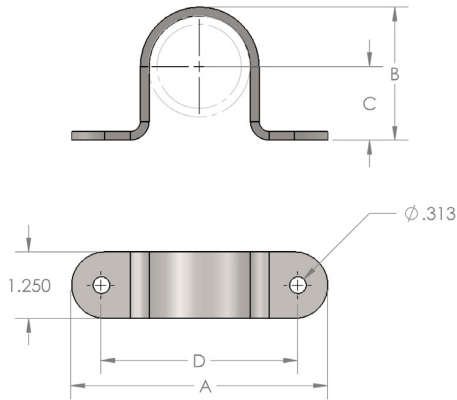
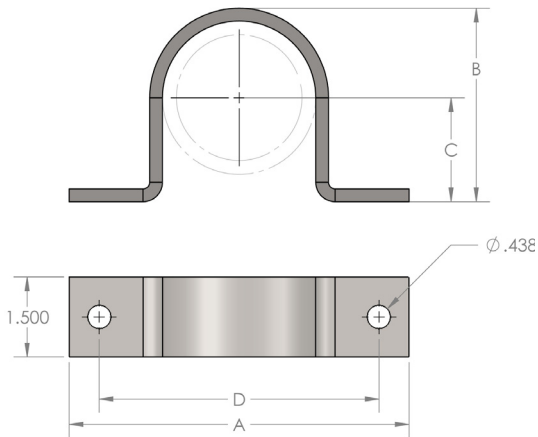


1/2" - 2"



2-1/2" - 4"



Materials/Finishes:	Plain Carbon Steel (180B)	Electro-Galvanized (180G)
	Hot-Dip Galvanized (180HDG)	T-304 Stainless Steel (180SS)
	T-316 Stainless Steel (180SX)	
Variants:	N/A	
Service:	Designed to support pipe close to ceiling or wall.	
Approvals:	Complies with Manufacturers' Standardization Society MSS SP-58 & SP-69 (Type# 26)	
Ordering:	Specify figure number, finish and pipe size.	
Notes:	N/A	

PIPE SIZE	PIPE O.D.	A	B	C	D	F	WGT EACH (lbs)	MAX REC LOAD (lbs)
1/2	0.840	3-3/16	1-1/8	9/16	2-1/16	1-1/4	0.165	300
3/4	1.050	3-1/2	1-3/8	3/4	2-3/8	1-1/4	0.190	300
1	1.315	4	1-5/8	7/8	2-7/8	1-1/4	0.235	300
1-1/4	1.660	4-7/16	2-1/8	1-3/16	3-5/16	1-1/4	0.260	300
1-1/2	1.900	4-13/16	2-1/2	1-3/8	3-11/16	1-1/4	0.400	300
2	2.375	5-1/2	2-3/4	1-3/8	4-3/8	1-1/4	0.490	300
2-1/2	2.875	6-3/8	3-5/8	2	5-1/4	1-1/2	0.910	400
3	3.500	7-1/2	4	1-15/16	6	1-1/2	0.950	400
3-1/2	4.000	7-3/8	4-5/8	2-3/8	6-1/4	1-1/2	1.050	400
4	4.500	7-3/4	5	2-1/2	6-5/8	1-1/2	1.160	400

PROJECT INFORMATION			APPROVAL STAMP	
Project:			Notes:	
Address:				
Contractor:				
Engineer:				
Date:				
Approved	Approved as Noted	Not Approved		