

# Lead-Free\* Class 125 Iron Body Check Valves

Twin Disc • Wafer Style • Bronze Disc • Rubber Seat • Spring Actuated

**250 PSI/17.2 bar non-shock cold working pressure**

**Maximum temperature to 180°F/82°C**

CERTIFIED LEAD-FREE\* BY WQA TO NSF/ANSI/CAN 372 •  
NSF/ANSI/CAN 61 CERTIFIED BY UL •  
CONFORMS TO AWWA C518

## MATERIAL LIST

PART	SPECIFICATION
1. Body	Ductile Iron ASTM A536 Grade 65-45-12 w/Buna-N (Nitrile) resilient seat molded to body
2. Disc	Bronze ASTM B584 UNS C87600
3. Torsion Spring	Stainless Steel ASTM A313 UNS S31600
4. Disc Thrust Bearing	Stainless Steel ASTM A240 UNS S31600
5. Stabilization Sphere	Buna-N
6. Hinge Pin Retainer	Stainless Steel ASTM A276 UNS S31600
7. Stop Pin Retainer	Stainless Steel ASTM A276 UNS S31600
8. Disc Hinge Pin	Stainless Steel ASTM A276 UNS S31600
9. Spacer	Stainless Steel ASTM A276 UNS S31600
10. Disc Stop Pin	Stainless Steel ASTM A276 UNS S31600



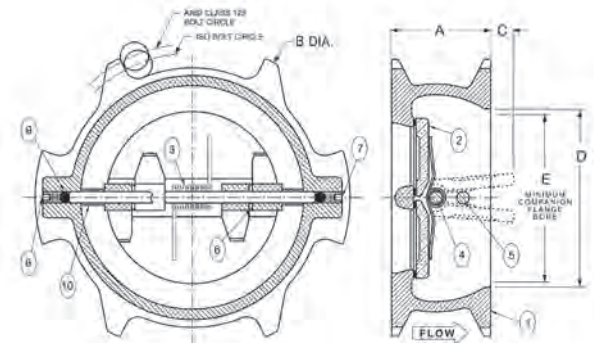
**W-920-W-LF**  
Wafer Styles  
(excluding 5" and 6")



**C USA**  
**COMPONENT LEAD-FREE**



**WATER QUALITY NSF 61 CERTIFIED**



2" thru 12"

## DIMENSIONS—WEIGHTS

Size	Dimensions										Weight		
	A		B		C		D		E		Lbs.	Kg.	
In.	mm.	In.	mm.	In.	mm.	In.	mm.	In.	mm.	In.	mm.		
2	50	2.13	54	5.13	130	—	—	2.88	73	—	—	4	2
2½	65	2.38	60	6.00	152	.13	3.3	3.50	89	1.31	33	5	2
3	80	2.63	67	5.63	143	.19	4.8	3.88	99	1.69	43	7	3
4	100	2.63	67	7.75	197	.63	16.0	4.75	121	3.06	78	9	4
5	125	3.25	83	7.56	192	.81	20.0	5.50	140	3.63	92	13	6
6	150	3.75	95	8.63	222	.81	32.0	6.25	171	4.25	146	19	9
8	200	5.00	127	12.25	279	1.00	33.0	8.00	222	5.50	197	37	17
10	250	5.50	140	14.75	340	2.06	64.0	10.25	276	8.50	248	65	30
12	300	7.13	181	17.38	410	1.94	60.0	12.00	327	9.25	279	94	43

**NOTE:** Twin Disc Check Valves can be installed horizontally or in the vertical position with flow up.

**CAUTION:** For horizontal flow applications, the valve must be installed with disc hinge pin in the vertical position, to insure proper operation.

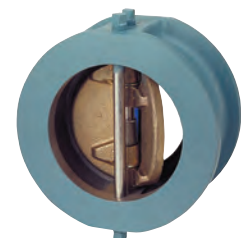
- WARNING:**
1. Seat end of valve must be mated to a standard flat faced metal flange. Rubber flanges not acceptable.
  2. These are not to be used as steam valves.
  3. Valves are not to be used near a reciprocating air compressor.

**Note:** On pump discharge, the preferred check valves are:

- inline, spring assisted, center-guided, lift checks
- spring assisted twin (double) DISC
- SWING DESIGN WITH LEVER AND WEIGHT OR LEVER AND SPRING

Install 5 pipe diameters minimum downstream from pump discharge or changes in direction to avoid flow turbulence. Flow straighteners may be required in extreme cases.

**WARNING:** This product can expose you to chemicals including lead, which is known to the State of California to cause cancer and birth defects or other reproductive harm. For more information go to [www.P65Warnings.ca.gov](http://www.P65Warnings.ca.gov).



**W-920-W-LF**  
Wafer Style  
Body Style 5", 6"

\*Weighted average lead content ≤ 0.25%  
Visit our website for the most current information.