

Stainless Steel Press Fitting Dimensional Catalog



MERITT
BRASS

DIRECTING THE FLOW OF *Quality*

Stainless Steel Press Fittings



Merit prides itself on our vendor assessment program as we are committed to providing you and your customers with the highest quality products. Our stainless steel brand of press fittings, IsoTubi-USA, is no exception as they have more than 25 years of experience in stainless steel. Similar to Merit in our commitment to continuous improvement through our registered Quality Management System (ISO 9001:2015), IsoTubi-USA's production and quality control processes are certified by Tüv according to the ISO 9001 norm. Access a copy of their certificates by clicking [here](#).

Want to learn more? Click on the links below:

- [Benefits & Features](#)
- [Approvals](#)
- [Tooling](#)
- [Merit Line Card](#)
- [List Price Sheet](#)
- [Videos](#)
- [FAQs](#)

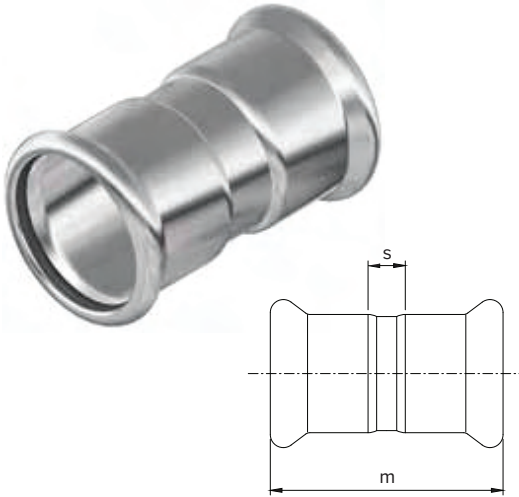


Every precaution has been taken in preparing this sheet. Merit Brass Company cannot be held responsible for omissions or typographical errors.

www.meritbrass.com | sales@meritbrass.com

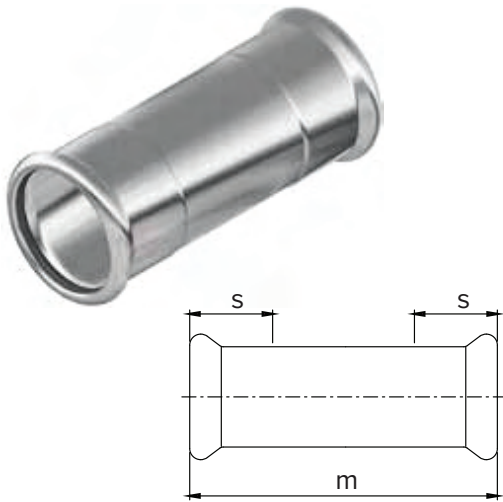
©2021 Merit Brass Company. All Rights Reserved.

STRAIGHT COUPLING



Item Number	Size Inches		Dimension Inches		Weight lbs
	Nominal	O.D.	s	m	
P6E11-08	1/2	.0840	0.42	2.09	0.13
P6E11-12	3/4	1.050	0.44	2.33	0.18
P6E11-16	1	1.315	0.43	2.48	0.23
P6E11-20	1 1/4	1.660	0.71	3.07	0.32
P6E11-24	1 1/2	1.900	0.43	2.84	0.40
P6E11-32	2	2.375	0.50	4.05	0.74

SLIP COUPLING



Item Number	Size Inches		Dimension Inches		Weight lbs
	Nominal	O.D.	s	m	
P6ENS11-08	1/2	.0840	0.83	2.95	0.18
P6ENS11-12	3/4	1.050	0.95	3.40	0.25
P6ENS11-16	1	1.315	1.02	3.83	0.34
P6ENS11-20	1 1/4	1.660	1.18	4.49	0.46
P6ENS11-24	1 1/2	1.900	1.20	4.81	0.63
P6ENS11-32	2	2.375	1.77	6.76	1.13

90° ELBOW



Item Number	Size Inches		Dimension Inches		Weight lbs
	Nominal	O.D.	s	m	
P6E1-08	1/2	0.840	1.57	2.41	0.22
P6E1-12	3/4	1.050	1.89	2.84	0.33
P6E1-16	1	1.315	2.37	3.40	0.48
P6E1-20	1 1/4	1.660	2.20	3.39	0.56
P6E1-24	1 1/2	1.900	2.56	3.76	0.79
P6E1-32	2	2.375	3.23	5.00	1.39

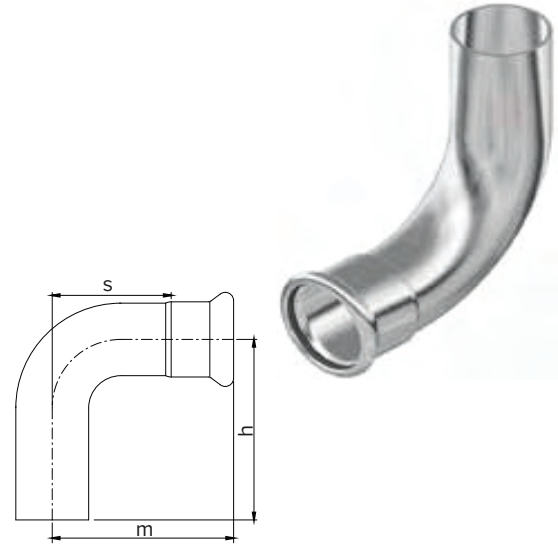
Stainless Steel Press Fittings



NSF ◀ FM ▶

M-F 90° ELBOW

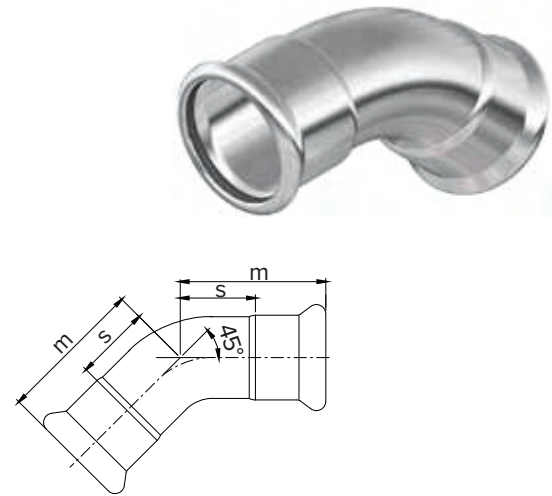
Item Number	Size Inches		Dimension Inches			Weight lbs
	Nominal	O.D.	s	m	h	
P6EFP1-08	1/2	0.840	1.57	2.41	2.87	0.24
P6EFP1-12	3/4	1.050	1.89	2.84	3.27	0.33
P6EFP1-16	1	1.315	2.37	3.40	3.82	0.37
P6EFP1-20	1 1/4	1.660	2.20	3.39	3.80	0.57
P6EFP1-24	1 1/2	1.900	2.48	3.69	4.06	0.77
P6EFP1-32	2	2.375	3.23	5.00	5.52	1.34



NSF ◀ FM ▶

45° ELBOW

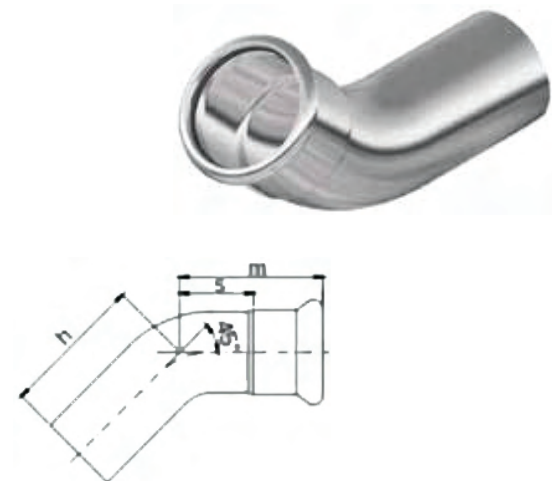
Item Number	Size Inches		Dimension Inches		Weight lbs
	Nominal	O.D.	s	m	
P6E2-08	1/2	0.840	0.79	1.62	0.18
P6E2-12	3/4	1.050	0.90	1.85	0.24
P6E2-16	1	1.315	1.13	2.14	0.37
P6E2-20	1 1/4	1.660	1.48	2.66	0.50
P6E2-24	1 1/2	1.900	1.17	2.37	0.59
P6E2-32	2	2.375	1.48	3.24	1.06



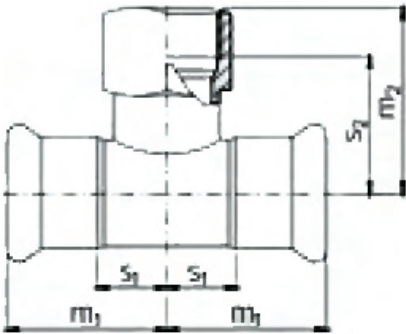
NSF ◀ FM ▶

M-F 45° ELBOW

Item Number	Size Inches		Dimension Inches		Weight lbs
	Nominal	O.D.	s	m	
P6EFP2-08	1/2	0.840	0.79	1.62	0.20
P6EFP2-12	3/4	1.050	0.90	1.85	0.26
P6EFP2-16	1	1.315	1.13	2.14	0.37
P6EFP2-20	1 1/4	1.660	1.48	2.66	0.51
P6EFP2-24	1 1/2	1.900	1.17	2.37	0.60
P6EFP2-32	2	2.375	1.48	3.24	1.06



TEE & REDUCING TEE ADAPTERS



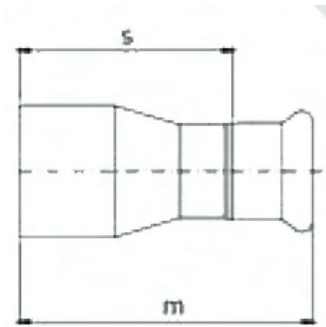
Item Number	Size Inches		Dimension Inches				Weight lbs
	Nominal	O.D.	s ₁	s ₂	m ₁	m ₂	
P6EPPF6-080808	1/2 x 1/2 x 1/2	0.840 x 0.840 x 0.840	1.28	0.93	1.48	1.52	0.26
P6EPPF6-081208	1/2 x 1/2 x 3/4	0.840 x 0.840 x 1.50	1.89	1.30	1.48	1.84	0.37
P6EPPF6-120812	3/4 x 3/4 x 1/2	1.050 x 1.050 x 0.840	1.50	1.04	1.70	1.63	0.33
P6EPPF6-12	3/4 x 3/4 x 3/4	1.050 x 1.050 x 1.050	1.50	1.27	1.70	1.81	0.40
P6EPPF6-121612	3/4 x 3/4 x 1	1.050 x 1.050 x 1.315	1.50	1.29	1.70	1.97	0.46
P6EPPF6-160816	1 x 1 x 1/2	1.315 x 1.315 x 0.840	1.78	1.19	1.91	1.78	0.42
P6EPPF6-161216	1 x 1 x 3/4	1.315 x 1.315 x 1.050	1.78	1.42	1.91	1.96	0.48
P6EPPF6-162016	1 x 1 x 1 1/4	1.315 x 1.315 x 1.660	1.78	1.59	1.92	2.43	0.91
P6EPPF6-200820	1 1/4 x 1 1/4 x 1/2	1.660 x 1.660 x 0.840	2.13	1.24	2.25	1.92	0.57
P6EPPF6-201220	1 1/4 x 1 1/4 x 3/4	1.660 x 1.660 x 1.050	2.13	1.39	2.25	2.07	0.62
P6EPPF6-201620	1 1/4 x 1 1/4 x 1	1.660 x 1.660 x 1.315	2.13	1.35	2.25	2.11	0.75
P6EPPF6-20	1 1/4 x 1 1/4 x 1 1/4	1.660 x 1.660 x 1.660	2.13	1.67	2.24	2.51	1.00
P6EPPF6-240824	1 1/2 x 1 1/2 x 1/2	1.900 x 1.900 x 0.840	3.19	1.48	2.80	2.07	0.85
P6EPPF6-241224	1 1/2 x 1 1/2 x 3/4	1.900 x 1.900 x 1.050	3.19	1.71	2.80	2.25	0.91
P6EPPF6-241624	1 1/2 x 1 1/2 x 1	1.900 x 1.900 x 1.315	3.19	1.59	2.80	2.27	1.03
P6EPPF6-24	1 1/2 x 1 1/2 x 1 1/2	1.900 x 1.900 x 1.900	3.19	1.74	2.80	2.58	1.27
P6EPPF6-320832	2 x 2 x 1/2	2.375 x 2.375 x 0.840	3.22	1.73	3.39	2.32	1.19
P6EPPF6-321232	2 x 2 x 3/4	2.375 x 2.375 x 1.050	3.22	1.96	3.39	2.50	1.26
P6EPPF6-321632	2 x 2 x 1	2.375 x 2.375 x 2.375	3.22	1.84	3.39	2.52	1.32
P6EPPF6-32	2 x 2 x 2	2.375 x 2.375 x 2.375	3.22	2.14	3.39	3.19	1.90

Stainless Steel Press Fittings

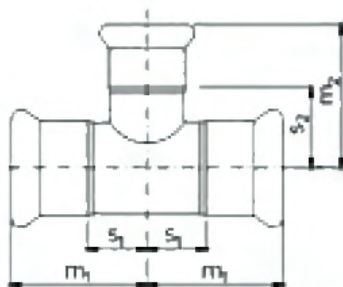


REDUCER

Item Number	Size Inches		Dimension Inches		Weight lbs
	Nominal	O.D.	s	m	
P6EFP12-1208	3/4 x 1/2	1.05 x 0.84	1.21	3.04	0.18
P6EFP12-1608	1 x 1/2	1.32 x 0.84	1.30	3.19	0.23
P6EFP12-1612	1 x 3/4	1.32 x 1.05	1.75	3.76	0.26
P6EFP12-2008	1 1/4 x 1/2	1.66 x 0.84	1.20	3.21	0.27
P6EFP12-2012	1 1/4 x 3/4	1.66 x 1.05	1.36	3.37	0.26
P6EFP12-2016	1 1/4 x 1	1.66 x 1.32	1.51	3.52	0.31
P6EFP12-2408	1 1/2 x 1/2	1.90 x 0.84	1.15	3.42	0.33
P6EFP12-2412	1 1/2 x 3/4	1.90 x 1.05	1.60	3.55	0.55
P6EFP12-2416	1 1/2 x 1	1.90 x 1.32	2.03	4.25	0.39
P6EFP12-2420	1 1/2 x 1 1/4	1.90 x 1.66	1.68	4.11	0.44
P6EFP12-3208	2 x 1/2	2.38 x 0.84	1.62	4.23	0.53
P6EFP12-3212	2 x 3/4	2.38 x 1.05	1.59	4.34	0.35
P6EFP12-3216	2 x 1	2.38 x 1.32	1.55	4.37	0.57
P6EFP12-3220	2 x 1 1/4	2.38 x 1.66	2.60	5.24	0.63
P6EFP12-3224	2 x 1 1/2	2.38 x 1.90	1.79	4.77	0.72



REDUCING TEE



Item Number	Size Inches		Dimension Inches				Weight lbs
	Nominal	O.D.	s ₁	s ₂	m ₁	m ₂	
P6EPPP-120812	3/4 x 3/4 x 1/2	1.050 x 1.050 x 0.840	1.50	0.91	1.70	1.74	0.31
P6EPPP-160816	1 x 1 x 1/2	1.315 x 1.315 x 0.840	1.78	1.06	1.91	1.89	0.40
P6EPPP-161216	1 x 1 x 3/4	1.315 x 1.315 x 1.050	1.78	1.07	1.91	2.02	0.42
P6EPPP-200820	1 1/4 x 1 1/4 x 1/2	1.660 x 1.660 x 0.840	2.13	1.19	2.25	2.02	0.51
P6EPPP-201220	1 1/4 x 1 1/4 x 3/4	1.660 x 1.660 x 1.050	2.13	1.20	2.25	2.15	0.53
P6EPPP-201620	1 1/4 x 1 1/4 x 1	1.660 x 1.660 x 1.315	2.12	1.20	2.24	2.22	0.56
P6EPPP-240824	1 1/2 x 1 1/2 x 1/2	1.900 x 1.900 x 0.840	3.19	1.35	2.80	2.19	0.79
P6EPPP-241224	1 1/2 x 1 1/2 x 3/4	1.900 x 1.900 x 1.050	2.40	1.37	2.80	2.31	0.81
P6EPPP-241624	1 1/2 x 1 1/2 x 1	1.900 x 1.900 x 1.315	3.19	1.42	2.80	2.45	0.84
P6EPPP-242024	1 1/2 x 1 1/2 x 1 1/4	1.900 x 1.900 x 1.660	3.19	1.42	2.80	2.60	0.88
P6EPPP-320832	2 x 2 x 1/2	2.375 x 2.375 x 0.840	3.22	1.60	3.39	2.44	1.17
P6EPPP-321232	2 x 2 x 3/4	2.375 x 2.375 x 1.050	3.22	1.62	3.39	2.56	1.19
P6EPPP-321632	2 x 2 x 1	2.375 x 2.375 x 1.315	3.22	1.61	3.39	2.62	1.23
P6EPPP-322032	2 x 2 x 1 1/4	2.375 x 2.375 x 1.660	3.22	1.65	3.38	2.84	1.27
P6EPPP-322432	2 x 2 x 1 1/2	2.375 x 2.375 x 1.900	3.22	1.61	3.39	2.82	1.32

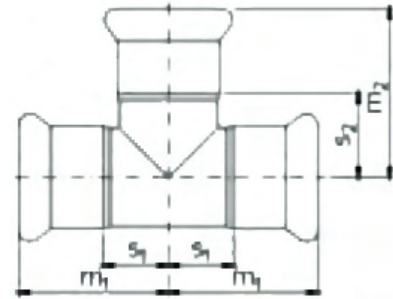
Stainless Steel Press Fittings



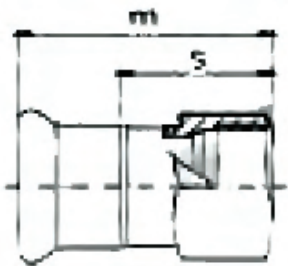
NSF ◀ FM ▶

EQUALTEE

Item Number	Size Inches		Dimension Inches				Weight lbs
	Nominal	O.D.	s_1	s_2	m_1	m_2	
P6EPPP-08	1/2	0.840	1.28	0.80	1.48	1.64	0.24
P6EPPP-12	3/4	1.050	1.50	0.92	1.70	1.87	0.33
P6EPPP-16	1	1.315	1.78	1.07	1.91	2.09	0.46
P6EPPP-20	1 1/4	1.660	2.13	1.20	2.24	2.38	0.59
P6EPPP-24	1 1/2	1.900	3.19	1.42	2.80	2.63	0.92
P6EPPP-32	2	2.375	3.22	1.61	3.39	3.39	1.48



STRAIGHT CONNECTOR



Item Number	Size Inches		Dimension Inches		Weight lbs
	Nominal	O.D.	s	m	
P6EPFA-08	1/2 - 1/2	0.84 x 80.84	0.66	2.17	0.20
P6EPFA-0812	1/2 - 3/4	0.84 x 105	0.92	2.44	0.28
P6EPFA-0816	1/2 - 1	0.84 x 132	0.89	2.56	0.43
P6EPFA-1208	3/4 - 1/2	1.05 x 0.84	0.84	2.47	0.32
P6EPFA-12	3/4 - 3/4	1.05 x 105	0.70	2.45	0.28
P6EPFA-1216	3/4 - 1	1.05 x 132	0.66	2.59	0.43
P6EPFA-1220	3/4 - 1 1/4	1.05 x 166	1.08	3.03	0.72
P6EPFA-1608	1 - 1/2	1.32 x 0.84	0.86	2.56	0.50
P6EPFA-1612	1 - 3/4	1.32 x 105	0.86	2.56	0.43
P6EPFA-16	1 - 1	1.32 x 132	0.72	2.56	0.43
P6EPFA-1620	1 - 1 1/4	1.32 x 166	1.10	2.97	0.69
P6EPFA-1624	1 - 1 1/2	1.32 x 190	1.05	3.13	0.80
P6EPFA-2008	1 1/4 - 1/2	1.66 x 0.84	0.86	2.72	0.81
P6EPFA-2016	1 1/4 - 1	1.66 x 132	0.78	2.72	0.63
P6EPFA-20	1 1/4 - 1 1/4	1.66 x 166	0.85	2.87	0.74
P6EPFA-2024	1 1/4 - 1 1/2	1.66 x 190	0.80	3.03	0.69
P6EPFA-2416	1 1/2 - 1	1.90 x 132	1.01	3.06	1.26
P6EPFA-2420	1 1/2 - 1 1/4	1.90 x 166	0.66	2.70	0.63
P6EPFA-24	1 1/2 - 1 1/2	1.90 x 190	0.80	3.05	0.64
P6EPFA-2432	1 1/2 - 2	1.90 x 238	1.39	3.65	1.21
P6EPFA-3220	2 - 1 1/4	2.38 x 166	0.77	3.39	1.48
P6EPFA-3224	2 - 1 1/2	2.38 x 190	1.20	3.90	1.83
P6EPFA-32	2 - 2	2.38 x 238	1.18	3.94	1.04

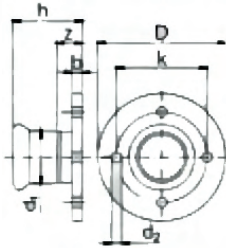
Stainless Steel Press Fittings



STRAIGHT CONNECTOR

Item Number	Size Inches		Dimension Inches		Weight lbs
	Nominal	O.D.	s	m	
P6EPMA-08	1/2 - 1/2	0.84 x 0.84	0.78	2.21	0.15
P6EPMA-0812	1/2 - 3/4	0.84 x 1.05	0.80	2.30	0.20
P6EPMA-0816	1/2 - 1	0.84 x 1.32	0.87	2.44	0.34
P6EPMA-1208	3/4 - 1/2	1.05 x 0.84	0.81	2.35	0.22
P6EPMA-12	3/4 - 3/4	1.05 x 1.05	0.81	2.34	0.22
P6EPMA-1216	3/4 - 1	1.05 x 1.32	0.87	2.56	0.29
P6EPMA-1220	3/4 - 1 1/4	1.05 x 1.66	0.91	2.66	0.52
P6EPMA-1612	1 - 3/4	1.32 x 1.05	0.83	2.52	0.28
P6EPMA-16	1 - 1	1.32 x 1.32	0.83	2.64	0.32
P6EPMA-1620	1 - 1 1/4	1.32 x 1.66	0.91	2.74	0.52
P6EPMA-1624	1 - 1 1/2	1.32 x 1.90	0.90	2.74	0.58
P6EPMA-2016	1 1/4 - 1	1.66 x 1.32	0.91	2.89	0.47
P6EPMA-20	1 1/4 - 1 1/4	1.66 x 1.66	0.91	2.89	0.57
P6EPMA-2024	1 1/4 - 1 1/2	1.66 x 1.90	0.91	2.87	0.62
P6EPMA-2412	1 1/2 - 3/4	1.90 x 1.05	0.91	2.78	0.55
P6EPMA-2416	1 1/2 - 1	1.90 x 1.32	0.91	2.90	0.62
P6EPMA-2420	1 1/2 - 1 1/4	1.90 x 1.66	0.90	2.92	0.55
P6EPMA-24	1 1/2 - 1 1/2	1.90 x 1.90	0.90	2.92	0.64
P6EPMA-3224	2 - 1 1/2	2.38 x 1.90	0.90	3.48	0.94
P6EPMA-32	2 - 2	2.38 x 2.38	0.98	3.78	1.04





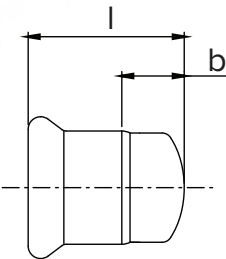
FLANGE ADAPTOR



Item Number	Size Inches		Dimension Inches								Weight lbs
	Nominal	O.D.	D	k	b	d ₁	d ₂	h	n*	z	
P6EPAF-08	1/2	0.840	3.50	2.37	0.38	1.37	0.62	1.85	4	1.02	0.84
P6EPAF-12	3/4	1.50	3.94	2.75	0.44	1.69	0.62	2.21	4	1.27	1.28
P6EPAF-16	1	1.315	4.33	3.13	0.50	2.00	0.62	2.52	4	1.50	1.77
P6EPAF-20	1 1/4	1.660	4.53	3.50	0.56	2.50	0.62	2.32	4	1.14	2.10
P6EPAF-24	1 1/2	1.900	4.92	3.87	0.63	2.87	0.63	3.41	4	2.20	2.90
P6EPAF-32	2	2.375	5.91	4.75	0.69	3.63	0.75	4.72	4	2.94	4.65

n* = number of such. Ø d₂ Flange material is AISI 304 and the body is AISI 316.

END CAP



Item Number	Size Inches		Dimension Inches		Weight lbs
	Nominal	O.D.	l	b	
P6E16-08	1/2	0.840	0.72	1.56	0.09
P6E16-12	3/4	1.50	0.79	1.74	0.13
P6E16-16	1	1.315	0.83	1.85	0.18
P6E16-20	1 1/4	1.660	0.85	2.03	0.22
P6E16-24	1 1/2	1.900	0.95	2.15	0.33
P6E16-32	2	2.375	1.14	2.91	0.55

THREE PIECE UNION



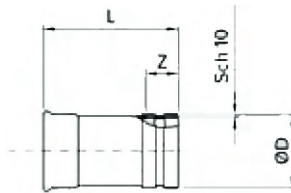
Item Number	Size Inches		Weight lbs
	Nominal	O.D.	
P6E3PA-08	1/2	0.840	0.62
P6E3PA-12	3/4	1.50	0.82
P6E3PA-16	1	1.315	0.97
P6E3PA-20	1 1/4	1.660	1.93
P6E3PA-24	1 1/2	1.900	2.36
P6E3PA-32	2	2.375	3.70

Stainless Steel Press Fittings

NSF

TRANSITION NIPPLE

Item Number	Size Inches		Dimension Inches		Weight lbs
	Nominal	O.D.	E		
P6ETG-12	3/4	1.050	4.94		0.25
P6ETG-16	1	1.315	5.02		0.34
P6ETG-20	1 1/4	1.660	5.12		0.67
P6ETG-24	1 1/2	1.900	5.20		0.63
P6ETG-32	2	2.375	5.77		1.13

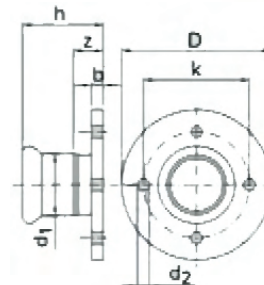


NSF

FM

VAN STONE FLANGE ADAPTOR

Item Number	Size Inches		Dimension Inches								Weight lbs
	Nominal	O.D.	D	k	b	d ₁	d ₂	h	n*	z	
P6EVSF-08	1/2	0.840	3.54	2.37	0.38	1.38	0.62	3.07	4	2.23	0.95
P6EVSF-12	3/4	1.050	3.94	2.75	0.44	1.69	0.62	3.19	4	2.24	1.39
P6EVSF-16	1	1.315	4.25	3.13	0.50	2.00	0.62	3.27	4	2.24	1.84
P6EVSF-20	1 1/4	1.660	4.53	3.50	0.56	2.50	0.62	3.47	4	2.28	2.40
P6EVSF-24	1 1/2	1.900	4.92	3.87	0.63	2.87	0.62	3.44	4	2.24	2.98
P6EVSF-32	2	2.375	5.91	4.75	0.69	3.63	0.75	4.53	4	2.76	4.79



n* = number of such. Ø d₂ Flange material is AISI 304 and the body is AISI 316.

NSF

WELD ADAPTOR

Item Number	Size Inches		Dimensional Inches		Weight lbs
	Nominal	O.D.	s	m	
P6EWA-08	1/2	0.840	4.00	5.13	0.62
P6EWA-12	3/4	1.50	4.00	5.27	0.82
P6EWA-16	1	1.315	4.00	5.34	0.97
P6EWA-20	1 1/4	1.660	4.00	5.50	1.93
P6EWA-24	1 1/2	1.900	4.00	5.52	2.36
P6EWA-32	2	2.375	4.00	6.09	3.70

