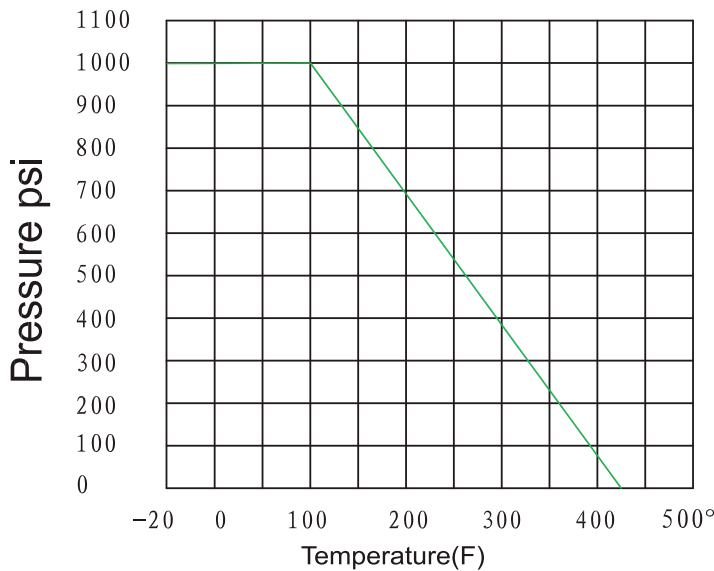


**DESIGN FEATURES:**

- Blow-out Proof Stem
- Pressure Balance Hole in Ball Slot
- Full Port
- Various Thread Standards Available
- Casting Approved by TÜV AD 2000-Merkblatt W0

**APPLICABLE STANDARDS:**

- Design : ASME B16.34, MSS SP-110
- Wall Thickness : EN 12516-3
- Pipe Thread : ASME B1.20.1
- Inspection & Testing : MSS SP-110

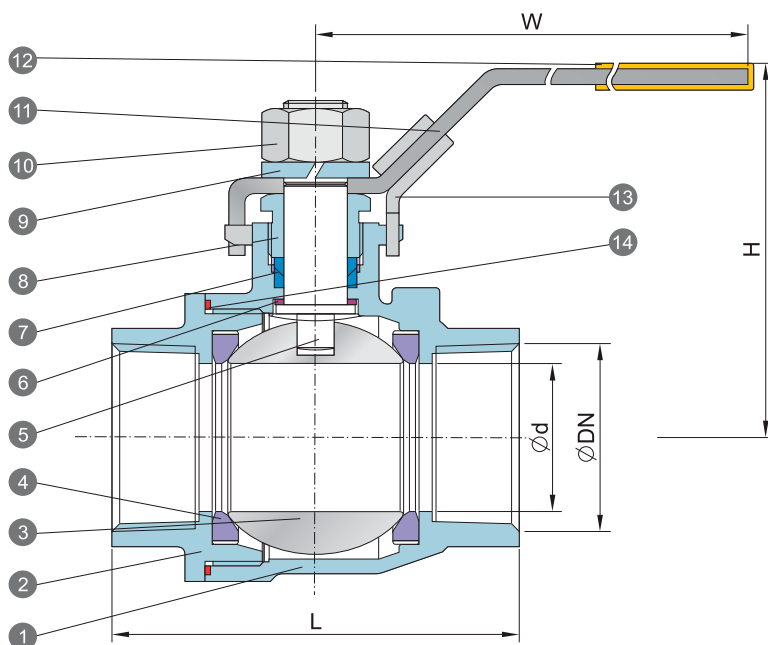
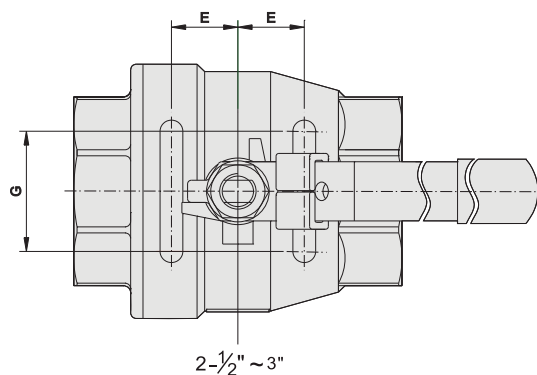
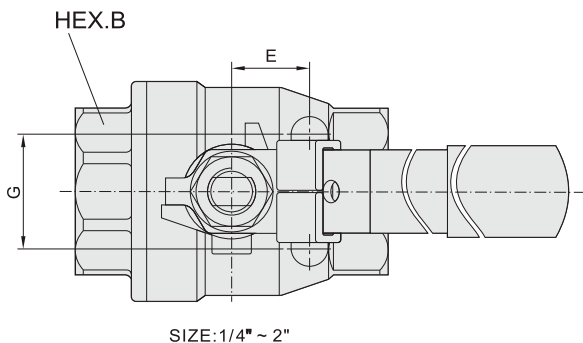
**Cv, Weights & Port**

Size	Cv	Wt (Lbs)	Port
1/4"	N/A	0.73	0.42
3/8"	N/A	0.75	0.47
1/2"	18	0.75	0.59
3/4"	36	1.13	0.79
1"	48	1.94	0.98
1-1/4"	72	2.71	1.26
1-1/2"	120	4.10	1.50
2"	190	6.47	1.97
2-1/2"	450	14.23	2.50
3"	600	19.42	2.99

**Torques(in-lbs)**

Size	Torque
1/4"	40
3/8"	40
1/2"	44
3/4"	53
1"	89
1-1/4"	115
1-1/2"	168
2"	252
2-1/2"	398
3"	637

Headquarters:  
One Merit Drive  
PO Box 43127  
Cleveland, OH 44143  
Tel: 216.261.9800  
Toll Free Tel: 800.726.9800  
Toll Free Fax: 855.MBFAXIT (623.2948)  
Email: [mbsales@meritbrass.com](mailto:mbsales@meritbrass.com)  
Websites: [www.meritbrass.com](http://www.meritbrass.com)  
[www.MBWebXpress.com](http://www.MBWebXpress.com)



NO.	PART NAME	MATERIALS		
1	Body	CF8M	CF8	WCB
2	Cap	CF8M	CF8	WCB
3	Ball	CF8M	CF8	
4	Ball Seat	PTFE		
5	Stem	SUS 316	SUS 304	
6	Thrust Washer	PTFE		
7	V-Ring Packing	PTFE		

NO.	PART NAME	MATERIALS
8	Gland Nut	SUS 304
9	Stem Washer	SUS 304
10	Stem Nut	A194 - 8
11	Handle	SUS 304
12	Handle Sleeve	Vinyl Plastic
13	Locking Device	SUS 304
14	Body Gasket	PTFE

Unit: inch

SIZE	$\phi d$	L	H	W	E	G	HEX.B	$\phi DN$
1/4"	0.42	2.28	2.28	3.94	0.05	1.12	0.93	NPT
3/8"	0.47	2.28	2.28	3.94	0.05	1.12	0.93	
1/2"	0.59	2.44	2.28	3.94	0.05	1.12	0.98	
3/4"	0.79	2.85	2.52	5.08	0.87	1.37	1.26	
1"	0.98	3.35	3.03	6.14	0.87	1.37	1.61	
1-1/4"	1.26	3.70	3.27	6.14	0.93	1.50	1.97	
1-1/2"	1.50	4.13	3.78	7.19	0.93	1.50	2.20	
2"	1.97	4.92	4.02	7.19	0.93	1.50	2.76	
2-1/2"	2.50	6.10	5.08	9.92	1.38	2.56	3.27	
3"	2.99	6.81	5.45	9.92	1.38	2.56	4.02	