

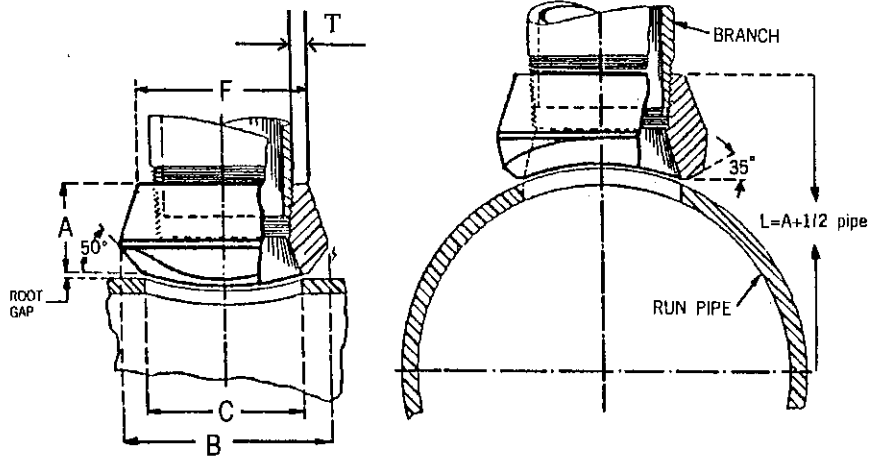


THREADOLETS

REDUCING SIZES STANDARD WEIGHT

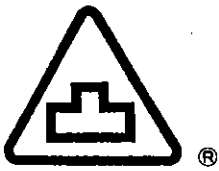
3000Lbs

6000Lbs



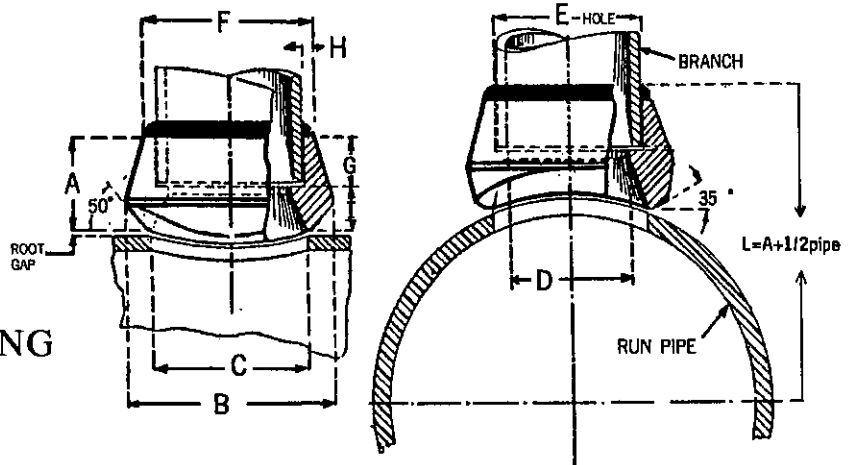
Dimensions in Inches

NOMINAL RUN PIPE SIZE	OUTLET SIZE	A	B	C	F	T
STANDARD WEIGHT 3000#						
3/8 to 36	1/8	11/16	1	5/8	7/8	0.236
3/8 to 36	1/4	11/16	1	5/8	7/8	0.169
1/2 to 36	3/8	13/16	1 1/4	3/4	1	0.165
3/4 to 36	1/2	1	1 3/8	15/16	1 1/4	0.205
1 to 36	3/4	1 1/16	1 3/4	1 3/16	1 7/16	0.193
1 1/4 to 36	1	1 5/16	2 1/8	7 7/16	1 13/16	0.248
1 1/2 to 36	1 1/4	1 5/16	2 9/16	1 3/4	2 3/16	0.264
2 to 36	1 1/2	1 3/8	2 7/8	2	2 7/16	0.268
2 1/2 to 36	2	1 1/2	3 1/2	2 9/16	2 15/16	0.284
3 to 36	2 1/2	1 13/16	4 1/16	3	3 7/16	0.284
3 1/2 to 36	3	2	4 13/16	3 11/16	4 1/8	0.341
4 to 36	3 1/2	2 1/8	5 1/4	4	4 13/16	0.406
5 to 36	4	2 1/4	6	4 3/4	5 1/8	0.311
6 to 36	5	2 5/8	7 5/16	6 1/8	6 5/16	0.374
8 to 36	6	2 11/16	8 5/8	7 1/4	7 7/16	0.405
10 to 36	8	2 3/4	10 3/8	8 11/16	9 1/2	0.437
12 to 36	10	3 1/16	12 11/16	10 13/16	10 13/16	0.500
6000#						
1/2 to 36	1/4	1 1/8	1 3/8	9/16	1 1/4	0.354
1/2 to 36	3/8	1 1/8	1 3/8	9/16	1 1/4	0.287
1/2 to 36	1/2	1 1/4	1 3/4	3/4	1 9/16	0.362
1 to 36	3/4	1 7/16	2	1	1 13/16	0.382
1 1/4 to 36	1	1 9/16	2 7/16	1 5/16	2 1/4	0.464
1 1/2 to 36	1 1/4	1 5/8	2 3/4	1 1/2	2 9/16	0.452
2 to 36	1 1/2	1 11/16	3 1/4	1 15/16	3	0.551
2 1/2 to 36	2	2 1/16	4 1/16	2 3/4	3 5/8	0.625



SOCKOLETS

REDUCING SIZES
STANDARD WEIGHT
EXTRA STRONG
SCHEDULE 160
DOUBLE EXTRA STRONG



Dimensions in Inches

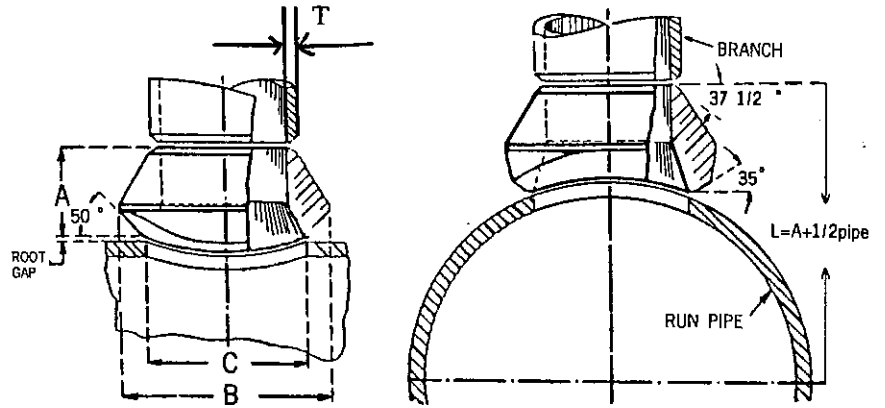
NOMINAL RUN PIPE SIZE	OUTLET SIZE	A	B	C	D	E	F	G	H	I
STANDARD WEIGHT										
3/8 to 36	1/8	11/16	1	5/8	.269	.420	7/8	3/8	7/32	9/32
3/8 to 36	1/4	11/16	1	5/8	.364	.555	7/8	3/8	5/32	9/32
1/2 to 36	3/8	13/16	1 1/4	3/4	.493	.690	1	3/8	5/32	7/16
3/4 to 36	1/2	1	1 3/8	15/16	.622	.855	1 1/4	7/16	13/64	9/16
1 to 36	3/4	1 1/16	1 3/4	1 3/16	.824	1.065	1 7/16	1/2	3/16	9/16
1 1/4 to 36	1	1 5/16	2 1/8	1 7/16	1.049	1.330	1 13/16	17/32	1/4	25/32
1 1/2 to 36	1 1/4	1 5/16	2 9/16	1 3/4	1.380	1.675	2 3/16	19/32	1/4	3/4
2 to 36	1 1/2	1 3/8	2 7/8	2	1.610	1.915	2 7/16	5/8	15/64	3/4
2 1/2 to 36	2	1 1/2	3 1/2	2 9/16	2.067	2.406	2 15/16	11/16	17/64	13/16
3 to 36	2 1/2	1 13/16	4 1/16	3	2.469	2.906	3 7/16	15/16	19/64	7/8
3 1/2 to 36	3	2	4 13/16	3 11/16	3.068	3.535	4 1/8	1 1/8	19/64	7/8
4 to 36	3 1/2	2 1/8	5 1/4	4	3.548	4.040	4 13/16	1 1/8	19/64	1
5 to 36	4	2 1/4	6	4 3/4	4.026	4.545	5 1/8	1 5/32	19/64	1 3/32
6 to 36	5	2 5/8	7 5/16	6 1/8	5.047	5.619	6 5/16	1 9/32	11/32	1 11/32
8 to 36	6	2 11/16	8 5/8	7 1/4	6.065	6.691	7 3/8	1 9/32	11/32	1 13/32
10 to 36	8	2 3/4	10 3/8	8 11/16	7.981	8.691	9 1/2	1 11/16	13/32	1 1/16
12 to 36	10	3 1/16	12 11/16	10 13/16	10.020	10.816	11 3/4	2 5/32	15/32	29/32
EXTRA STRONG										
3/8 to 36	1/8	11/16	1	5/8	.215	.420	7/8	3/8	7/32	5/16
3/8 to 36	1/4	11/16	1	5/8	.302	.555	7/8	3/8	5/32	11/32
1/2 to 36	3/8	13/16	1 1/4	3/4	.423	.690	1	3/8	5/32	7/16
3/4 to 36	1/2	1	1 3/8	15/16	.546	.855	1 1/4	35/64	13/64	29/64
1 to 36	3/4	1 1/16	1 5/8	1 3/16	.742	1.065	1 7/16	9/16	3/16	1/2
1 1/4 to 36	1	1 5/16	2 1/8	1 7/16	.957	1.330	1 13/16	5/8	1/4	11/16
1 1/2 to 36	1 1/4	1 5/16	2 9/16	1 3/4	1.278	1.675	2 3/16	23/32	1/4	5/8
2 to 36	1 1/2	1 3/8	2 7/8	2	1.500	1.915	2 3/8	3/4	15/64	5/8
2 1/2 to 36	2	1 1/2	3 1/2	2 9/16	1.939	2.406	2 15/16	25/32	17/64	23/32
3 to 36	2 1/2	1 1/2	4 1/16	3	2.323	2.906	3 5/8	11/16	11/32	13/16
3 1/2 to 36	3	1 5/8	4 13/16	3 11/16	2.900	3.535	4 5/16	11/16	3/8	15/16
5 to 36	4	1 25/32	6	4 3/4	3.826	4.545	7 7/16	11/16	7/16	1 3/32
SCHEDULE 160 AND DOUBLE EXTRA STRONG										
3/4 to 36	1/2	1 3/4	1 3/4	3/4	ID to	.855	1 9/16	3/8	23/64	7/8
1 to 36	3/4	1 7/16	2	1	match	1.065	1 25/32	9/16	21/64	7/8
1 1/4 to 36	1	1 9/16	2 7/16	1 5/16	Sch. 160	1.330	2 1/4	5/8	15/32	15/16
1 1/2 to 36	1 1/4	1 5/8	2 3/4	1 1/2	and XXS	1.675	2 9/16	13/16	29/64	13/16
2 to 36	1 1/2	1 11/16	3 1/4	1 15/16	respectively	1.915	3	13/16	41/64	7/8
2 1/2 to 36	2	2 5/16	4 1/16	2 5/16		2.406	3 5/8	7/8	7/8	1 7/16



WELDOLETS

REDUCING SIZES

STANDRD WEIGHT ■



Dimensions in Inches

NOMINAL RUN PIPE SIZE	OUTLET SIZE	A	B	C	T
3/8 to 36	1/8	9/16	1	5/8	0.126
3/8 to 36	1/4	9/16	1	5/8	0.126
1/2 to 36	3/8	3/4	1 1/4	3/4	0.126
3/4 to 36	1/2	3/4	1 3/8	15/16	0.126
1 to 36	3/4	7/8	1 3/4	1 3/16	0.126
1 1/4 to 36	1	1 1/16	2 1/8	1 7/16	0.134
1 1/2 to 36	1 1/4	1 1/4	2 9/16	1 3/4	0.142
2 to 36	1 1/2	1 5/16	2 7/8	2	0.145
2 1/2 to 36	2	1 1/2	3 1/2	2 9/16	0.154
3 to 36	2 1/2	1 5/8	4 1/6	3	0.204
3 1/2 to 36	3	1 3/4	4 13/16	3 11/16	0.216
4 to 36	3 1/2	1 7/8	5 5/8	4 7/16	0.226
5 to 36	4	2	6	4 3/4	0.237
6 to 36	5	2 1/4	7 1/16	5 9/16	0.259
8 to 36	6	2 3/8	8 1/2	6 11/16	0.280
10 to 36	8	2 3/4	10 3/8	8 11/16	0.322
12 to 36	10	3 3/16	12 11/16	10 13/16	0.365
14 to 36	12	3 3/8	14 7/8	12 13/16	0.375
16 to 36	14	3 1/2	16 1/8	14 1/16	0.375
18 to 36	16	3 11/16	18 1/4	16 1/16	0.375
20 to 36	18	3 13/16	20 1/2	18 1/16	0.375
22 to 36	20	4	22 1/2	20	0.375
26 to 36	24	4 9/16	27 1/8	24 3/16	0.375
28 to 36	26	4 11/16	29 1/16	26 1/4	0.375
32 to 36	30	5 3/8	34 1/16	31 9/16	0.375



PRESSURE TEMPERATURE RATINGS

Non-shock Working Pressure in Pounds per Square Inch

Service Temperature Degree ° F	2000LB Threaded Fittings					3000LB Socket Welding and Threaded Fittings					6000LB Socket Welding and Threaded Fittings				
	Carbon Steel	F304	F316	F22	F5	Carbon Steel	F304	F316	F22	F5	Carbon Steel	F304	F316	F22	F5
100	2000	1715	2000	2000	2000	3000	2570	3000	3000	3000	6000	5145	6000	6000	6000
150	1970	1615	1970	1970	1970	2950	2425	2950	2950	2950	5915	4855	5915	5915	5915
200	1940	1520	1940	1940	1940	2915	2280	2915	2915	2915	5830	4565	5830	5830	5830
250	1915	1445	1915	1915	1915	2875	2170	2875	2875	2875	5750	4340	5750	5750	5750
300	1895	1370	1895	1895	1895	2845	2055	2845	2845	2845	5690	4115	5690	5690	5690
350	1875	1310	1875	1875	1875	2810	1965	2810	2810	2810	5625	3930	5690	5625	5625
400	1850	1245	1850	1850	1850	2775	1870	2775	2775	2775	5550	3745	5550	5550	5550
450	1810	1195	1810	1810	1810	2715	1870	2715	2715	2715	5430	3585	5430	5430	5430
500	1735	1140	1735	1735	1735	2605	1715	2605	2605	2605	5210	3430	5210	5210	5210
550	1640	1100	1640	1640	1640	2460	1650	2460	2460	2460	4925	3305	4925	4925	4925
600	1540	1060	1540	1540	1540	2310	1590	2310	2310	2310	4620	3180	4620	4620	4620
650	1430	1020	1430	1430	1430	2150	1535	2150	2150	2150	4300	3070	4300	4300	4300
700	1305	985	1370	1340	1340	1960	1480	2055	2010	2010	3920	2960	4110	4025	4025
750	1180	950	1305	1245	1245	1775	1425	1960	1870	1870	3550	2850	3920	3745	3745
800	1015	915	1240	1155	1155	1525	1370	1865	1735	1735	3050	2745	3730	3470	3470
850	830	880	1180	1060	1060	1250	1330	1770	1595	1595	2500	2660	3540	3190	3190
900	615	860	1115	970	970	925	1290	1675	1455	1455	1855	2580	3350	2915	2915
950	425	845	1055	880	880	640	1270	1580	1320	1320	1295	2540	3165	2640	2640
1000	235	830	990	740	695	350	1250	1485	1115	1040	715	2500	2975	2230	2085



WEIGHT LIST

WEIGHT (KGS) SIZE	1/8"	1/4"	3/8"	1/2"	3/4"	1"	1 1/4"	1 1/2"	2"	2 1/2"	3"	4"
2000LBS SCREWED												
90° ELBOW	0.10	0.08	0.13	0.22	0.32	0.47	0.74	0.93	1.53	2.98	4.54	10.21
45° ELBOW	0.08	0.06	0.10	0.20	0.27	0.41	0.64	0.75	1.19	3.46	5.44	8.96
TEE	0.13	0.12	0.15	0.31	0.43	0.61	0.95	1.25	1.93	4.11	6.12	14.74
3000LBS SCREWED												
90° ELBOW	0.10	0.14	0.27	0.41	0.65	1.03	1.31	2.21	2.47	4.53	7.77	13.27
45° ELBOW	0.08	0.12	0.24	0.34	0.54	0.92	0.97	1.84	1.93	3.46	5.44	8.96
TEE	0.13	0.13	0.38	0.56	0.84	1.36	1.65	3.10	3.18	6.24	9.53	17.24
COUPLING	0.05	0.05	0.06	0.13	0.19	0.39	0.68	0.99	1.37	2.07	3.08	5.44
HALF COUPLING	0.03	0.03	0.03	0.06	0.10	0.20	0.34	0.50	0.68	1.03	1.54	2.72
REDUCING COUP	0.05	0.05	0.06	0.13	0.19	0.39	0.68	0.99	1.37	2.07	3.08	5.44
CAP	0.04	0.04	0.05	0.11	0.18	0.33	0.60	0.70	1.06	1.84	2.65	4.57
6000LBS SCREWED												
90° ELBOW	0.17	0.30	0.45	0.72	1.15	1.61	2.67	3.20	5.90	9.88	16.43	
45° ELBOW	0.11	0.27	0.39	0.61	1.02	1.17	2.67	2.61	4.37	7.01	14.16	
TEE	0.20	0.42	0.63	0.98	1.65	2.19	3.52	4.42	7.88	13.11	22.50	
COUPLING	0.08	0.06	0.18	0.31	0.41	0.85	1.05	1.87	3.40	4.20	6.10	10.04
HALF COUPLING	0.04	0.04	0.09	0.16	0.20	0.43	0.53	0.91	1.70	2.10	3.05	5.02
REDUCING COUP	0.08	0.06	0.18	0.31	0.41	0.85	1.05	1.81	3.40	4.20	6.10	10.04
CAP	0.06	0.06	0.09	0.14	0.20	0.34	0.59	0.77	1.47			
PLUGS & BUSHING												
2000/3000/6000LBS												
SQUARE HEAD	0.01	0.01	0.03	0.05	0.09	0.16	0.27	0.38	0.63	0.96	1.53	3.83
HEX HEAD	0.01	0.03	0.05	0.07	0.14	0.25	0.47	0.62	0.59	1.73	2.15	5.90
ROUND HEAD	0.02	0.05	0.07	0.12	0.20	0.34	0.55	0.72	1.41	2.21	3.26	6.01
BUSHING		0.01	0.01	0.03	0.05	0.09	0.18	0.16	0.38	0.54	1.16	3.20
3000LBS SOCKET WELD												
90° ELBOW	0.09	0.03	0.10	0.22	0.31	0.45	0.72	0.97	1.71	6.06	4.96	10.95
45° ELBOW	0.07	0.06	0.09	0.20	0.26	0.40	0.64	0.77	1.22	3.57	5.10	9.41
TEE	0.11	0.09	0.15	0.32	0.39	0.45	0.99	1.35	2.07	3.90	5.90	14.20
COUPLING	0.04	0.05	0.07	0.13	0.19	0.27	0.49	0.59	0.97	1.42	1.88	3.31
HALF COUPLING	0.04	0.05	0.07	0.13	0.19	0.27	0.49	0.59	0.97	1.42	1.88	3.31
REDUCING COUP	0.04	0.05	0.07	0.13	0.19	0.27	0.49	0.59	0.97	1.42	1.88	3.31
CAP	0.03	0.04	0.05	0.10	0.16	0.22	0.41	0.51	0.85	1.24	1.94	3.31
6000LBS SOCKET WELD												
90° ELBOW				0.40	0.63	1.19	1.36	2.41	2.72	4.75	8.55	14.31
45° ELBOW				0.30	0.57	0.88	1.11	2.01	2.15	4.05	6.02	11.17
TEE				0.54	0.88	1.44	1.85	3.27	3.60	6.94	10.61	16.92
COUPLING				0.24	0.33	0.65	0.75	1.20	2.12	2.86	4.01	6.35
HALF COUPLING				0.24	0.33	0.65	0.75	1.20	2.12	2.86	4.01	6.35
REDUCING COUP				0.24	0.33	0.65	0.75	1.20	2.12	2.86	4.01	6.35
CAP				0.19	0.26	0.53	0.64	0.97	1.64	2.22	3.45	6.03