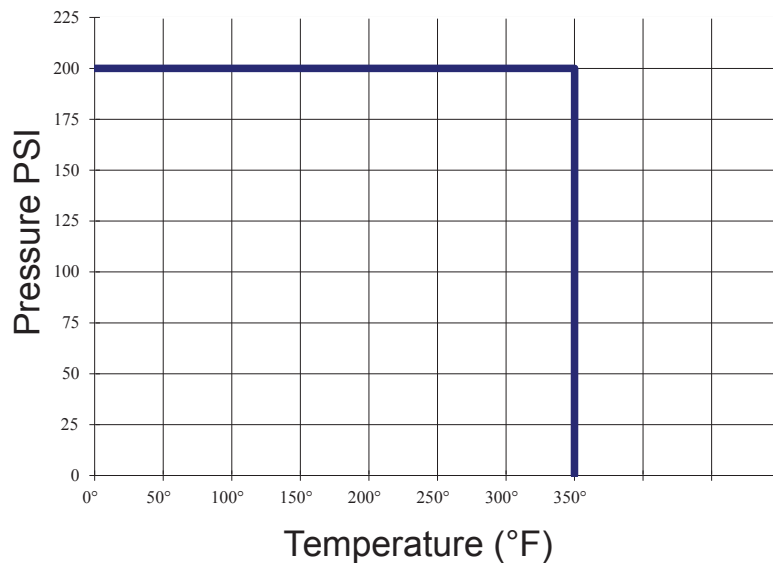


### APPLICABLE STANDARDS:

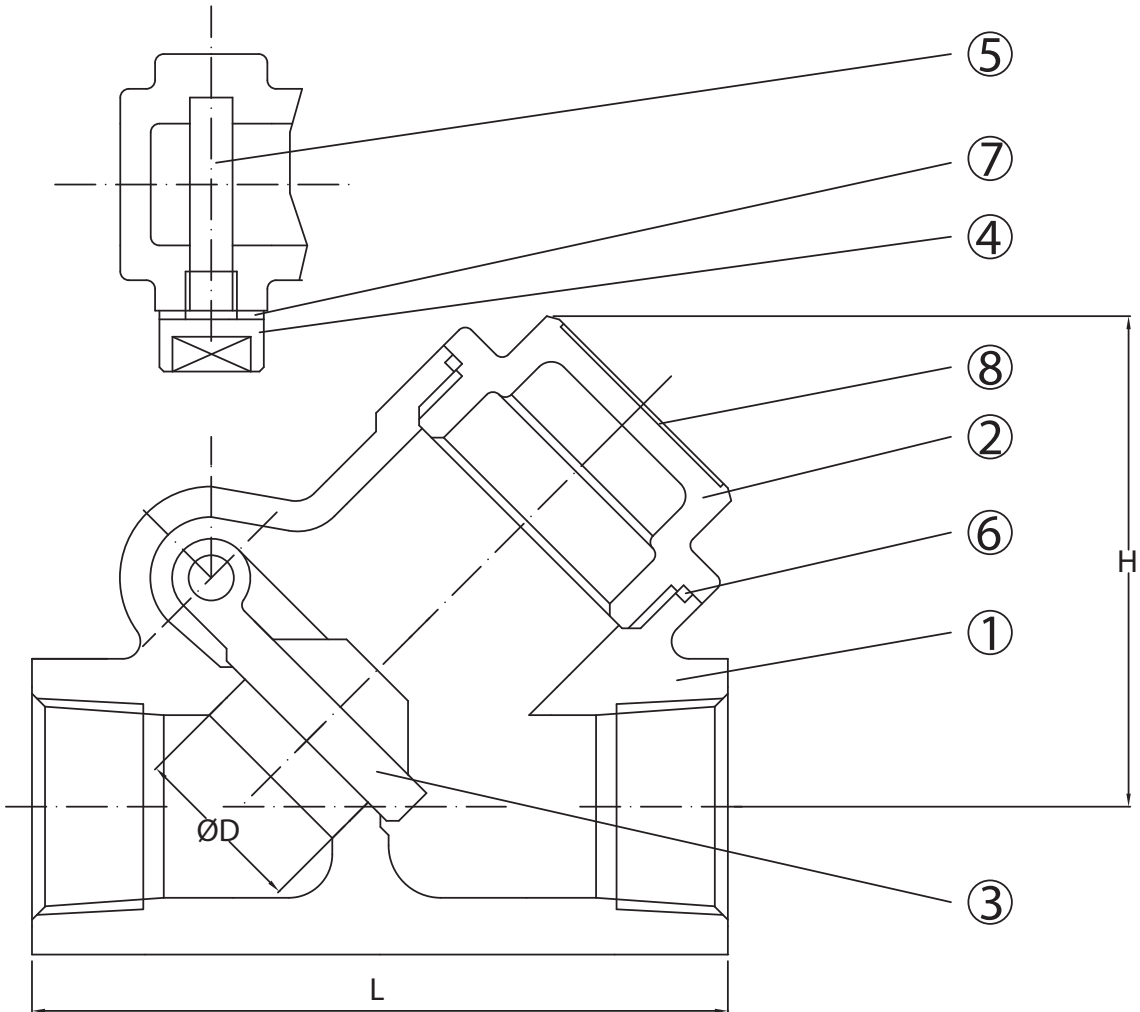
- Design: ASME B16.34
- Testing: API 598
- 200 PSI Working Pressure at 350°F



### Cv, Weights & Port

| Size   | Cv   | Wt (Lbs) | Port |
|--------|------|----------|------|
| 1/2"   | 3.5  | 0.74     | 0.59 |
| 3/4"   | 6.5  | 1.16     | 0.79 |
| 1"     | 9.5  | 1.86     | 0.98 |
| 1-1/4" | 18.5 | 2.58     | 1.26 |
| 1-1/2" | 24   | 3.90     | 1.50 |
| 2"     | 45   | 5.64     | 1.97 |

Headquarters:  
 One Merit Drive  
 PO Box 43127  
 Cleveland, OH 44143  
 TEL: 216.261.9800  
 TEL: 800.726.9800  
 FAX: 855.MBFAXIT (623.2948)  
 Email: [sales@meritbrass.com](mailto:sales@meritbrass.com)  
 Websites: [www.meritbrass.com](http://www.meritbrass.com)  
[www.MBWebXpress.com](http://www.MBWebXpress.com)



Unit: Inch

| NO | PART NAME      | QTY | MATERIAL       |
|----|----------------|-----|----------------|
| 1  | BODY           | 1   | ASTMA351 CF8M  |
| 2  | BONNET         | 1   | ASTM A351 CF8M |
| 3  | DISC           | 1   | ASTM A351 CF8M |
| 4  | PLUG           | 1   | SUS316         |
| 5  | HINGE PIN      | 1   | SUS316         |
| 6  | GASKET PACKING | 1   | PTFE           |
| 7  | GASKET PACKING | 1   | PTFE           |
| 8  | NAME PLATE     | 1   | AL             |

| Size   | D<br>Port | L    | H    |
|--------|-----------|------|------|
| 1/2"   | 0.59      | 2.56 | 1.81 |
| 3/4"   | 0.79      | 3.15 | 2.20 |
| 1"     | 0.98      | 3.54 | 2.60 |
| 1-1/4" | 1.26      | 4.13 | 2.99 |
| 1-1/2" | 1.50      | 4.72 | 3.54 |
| 2"     | 1.97      | 5.51 | 4.13 |