

# Leaded Brass Ball Valves

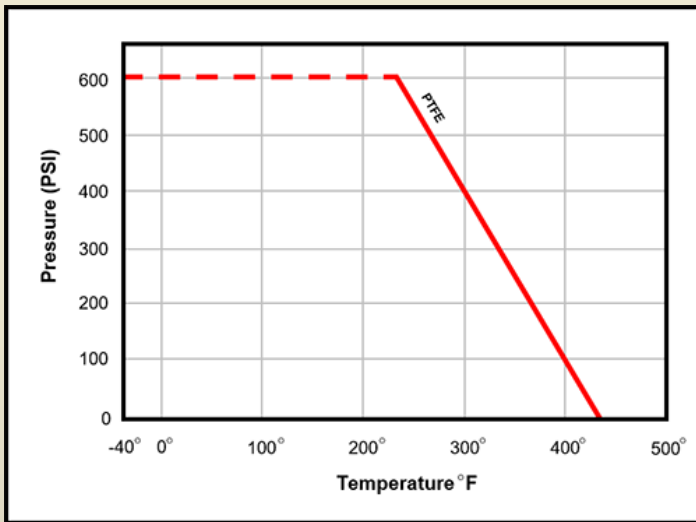
## Diameters: 1/4" - 2"

### DESIGN FEATURES:

- **Body:** Forged Brass
- **Port:** Full
- **Design:** Two Piece Body
- **Handle:** Locking Device
- **Ball:** Chrome Plated Brass
- **Seats:** PTFE
- **Stem:** Blow-Out Proof
- **1/4" - 2" Rated:** 600PSI Non-Shock WOG  
125PSI SWP

### APPLICABLE STANDARDS:

- Threaded Ends ANSI B1.20.1
- Conforms to MSS-SP-110
- CSA Gas Approved to 2" (IPS Only)



**⚠ WARNING:** This product can expose you to Lead, which is known to the State of California to cause cancer and birth defects or other reproductive harm. For more information go to [www.P65Warnings.ca.gov](http://www.P65Warnings.ca.gov). This product is not for use in potable water.

#### Cleveland Headquarters

One Merit Drive/PO Box 43127  
Cleveland, OH 44143  
TEL: 800.726.9800  
FAX: 855.MBFAXIT (623.2948)  
EMAIL: [mbsales@meritbrass.com](mailto:mbsales@meritbrass.com)

#### Dallas Distribution Center

10614 King William Drive  
Dallas, TX 75220  
TEL: 877.259.2591  
FAX: 877.259.2596  
EMAIL: [mbsalesTX@meritbrass.com](mailto:mbsalesTX@meritbrass.com)

#### Birmingham Distribution Center

220 Oxmoor Court  
Birmingham, AL 35209  
TEL: 855.912.0409  
FAX: 866.668.9168  
EMAIL: [mbsalesAL@meritbrass.com](mailto:mbsalesAL@meritbrass.com)

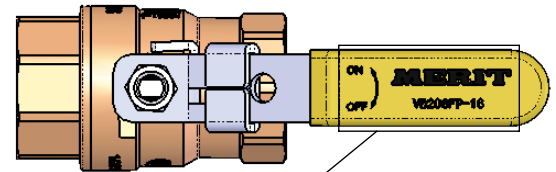
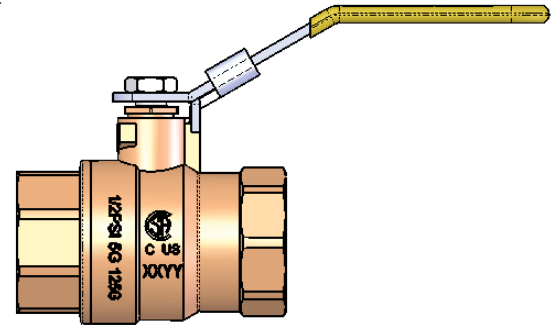
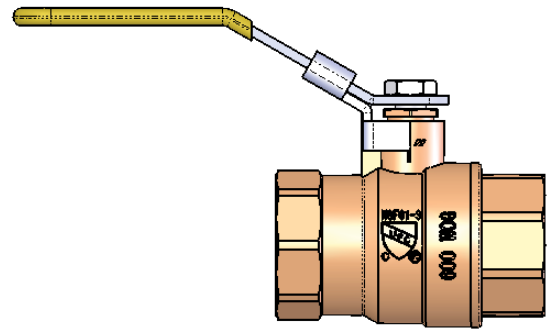
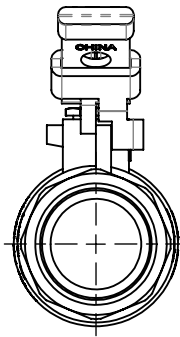
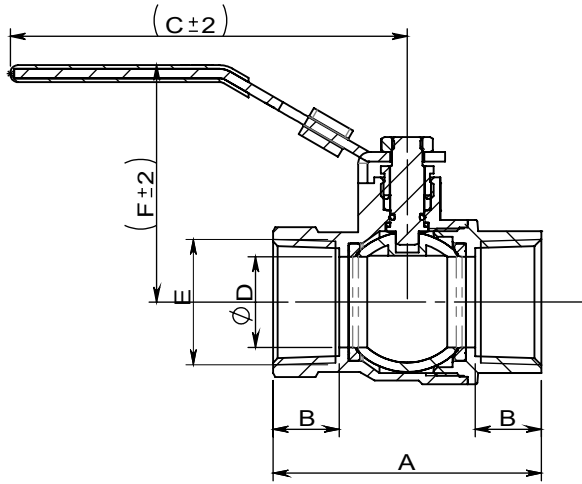
#### Sparks Distribution Center

200 Vista Blvd., Suite #106  
Sparks, NV 89434  
TEL: 877.711.RENO (7366)  
FAX: 877.376.0093  
EMAIL: [mbsalesNV@meritbrass.com](mailto:mbsalesNV@meritbrass.com)

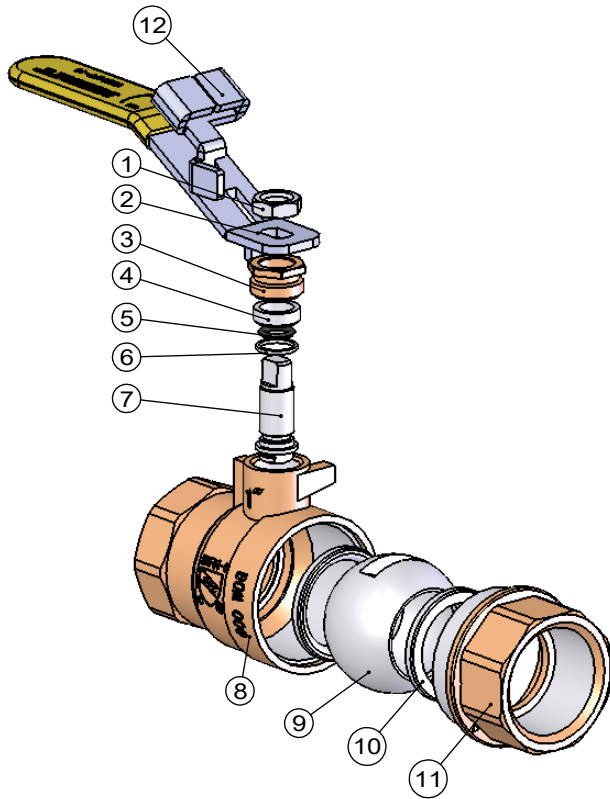
# MERIT BRASS

DIRECTING THE FLOW OF *Quality*

[www.meritbrass.com](http://www.meritbrass.com) • [www.MBWebXpress.com](http://www.MBWebXpress.com)



PART NO.



No.	Part	Material	QTY.
1	Hex-nut	Steel	1
2	Handle	Steel	1
3	Packing nut	Brass	1
4	Packing gland	PTFE	1
5	O-Ring	EPDM	1
6	Washer	PTFE	1
7	Stem	C36000	1
8	Body	C37700	1
9	Ball	Chrome Plated Brass	1
10	Seat	PTFE	2
11	Bonnet	C37700	1
12	Lock catch	Steel	1

Size	A(in)	B(in)	C(in)	D(in)	E	F(in)	Weight(lb)	PART NO.
1/4"	1.732	0.453	3.15	∅ 0.394	1/4-18NPT	1.843	0.26	VB206FP-04
3/8"	1.732	0.453	3.15	∅ 0.394	3/8-18NPT	1.843	0.26	VB206FP-06
1/2"	2.047	0.551	3.15	∅ 0.512	1/2-14NPT	1.937	0.37	VB206FP-08
3/4"	2.303	0.571	4.134	∅ 0.709	3/4-14NPT	2.291	0.55	VB206FP-12
1"	2.795	0.689	4.134	∅ 0.945	1-11.5NPT	2.469	0.88	VB206FP-16
1-1/4"	3.15	0.689	4.921	∅ 1.201	1 1/4-11.5NPT	3.039	1.36	VB206FP-20
1-1/2"	3.504	0.709	4.921	∅ 1.457	1 1/2-11.5NPT	3.217	1.88	VB206FP-24
2"	4.193	0.748	7.087	∅ 1.949	2-11.5NPT	3.72	3.44	VB206FP-32

# Leaded Brass Ball Valves

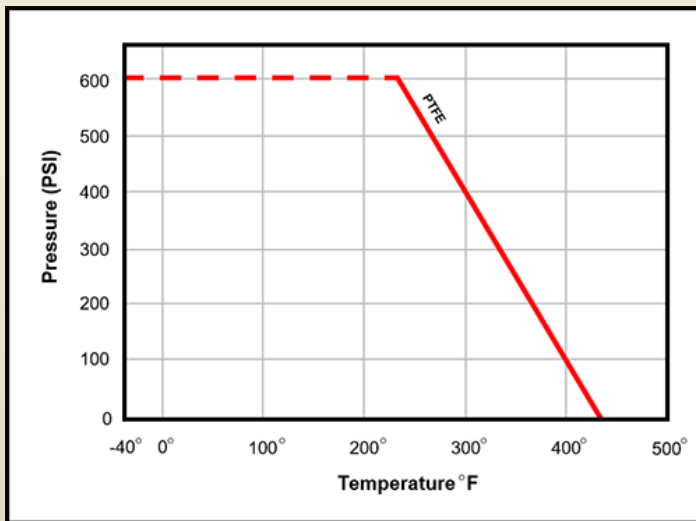
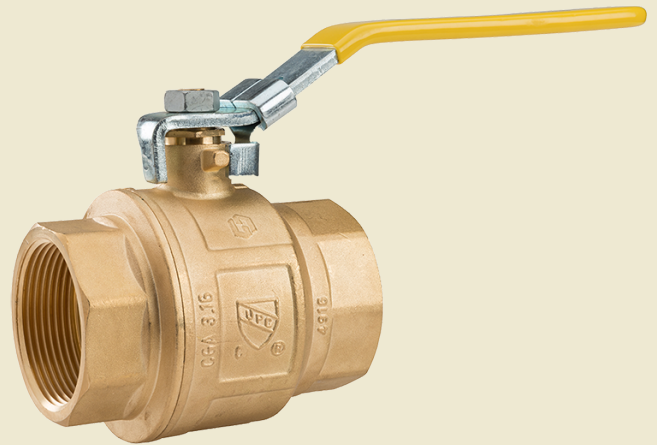
## Diameters: 2-1/2" - 4"

### DESIGN FEATURES:

- **Body:** Forged Brass
- **Port:** Full
- **Design:** Two Piece Body
- **Handle:** Locking Device
- **Ball:** 304 Stainless Steel
- **Seats:** PTFE
- **Stem:** Blow-Out Proof
- **2-1/2" - 4" Rated:** 600PSI Non-Shock WOG  
125PSI SWP

### APPLICABLE STANDARDS:

- Threaded Ends ANSI B1.20.1
- Conforms to MSS-SP-110
- UL/FM Approved



**⚠ WARNING:** This product can expose you to Lead, which is known to the State of California to cause cancer and birth defects or other reproductive harm. For more information go to [www.P65Warnings.ca.gov](http://www.P65Warnings.ca.gov). This product is not for use in potable water.

#### Cleveland Headquarters

One Merit Drive/PO Box 43127  
Cleveland, OH 44143  
TEL: 800.726.9800  
FAX: 855.MBFAXIT (623.2948)  
EMAIL: [mbsales@meritbrass.com](mailto:mbsales@meritbrass.com)

#### Dallas Distribution Center

10614 King William Drive  
Dallas, TX 75220  
TEL: 877.259.2591  
FAX: 877.259.2596  
EMAIL: [mbsalesTX@meritbrass.com](mailto:mbsalesTX@meritbrass.com)

#### Birmingham Distribution Center

220 Oxmoor Court  
Birmingham, AL 35209  
TEL: 855.912.0409  
FAX: 866.668.9168  
EMAIL: [mbsalesAL@meritbrass.com](mailto:mbsalesAL@meritbrass.com)

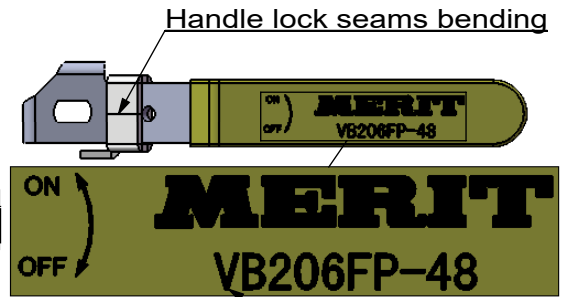
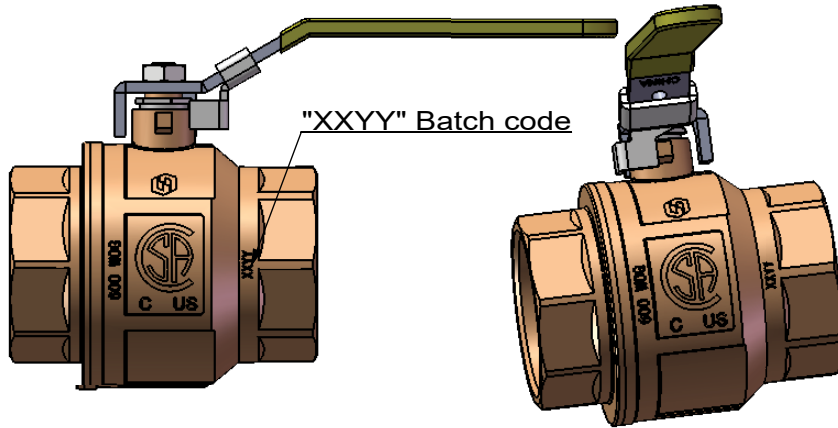
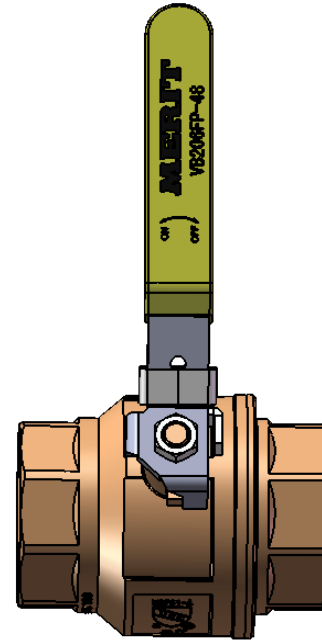
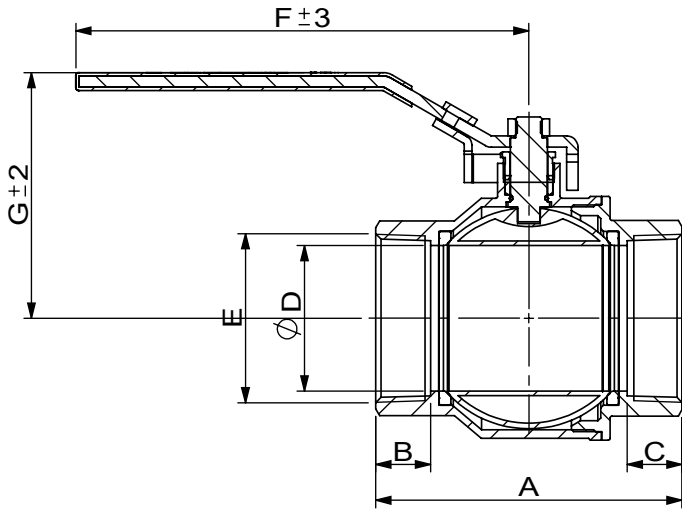
#### Sparks Distribution Center

200 Vista Blvd., Suite #106  
Sparks, NV 89434  
TEL: 877.711.RENO (7366)  
FAX: 877.376.0093  
EMAIL: [mbsalesNV@meritbrass.com](mailto:mbsalesNV@meritbrass.com)

# MERIT BRASS

DIRECTING THE FLOW OF *Quality*

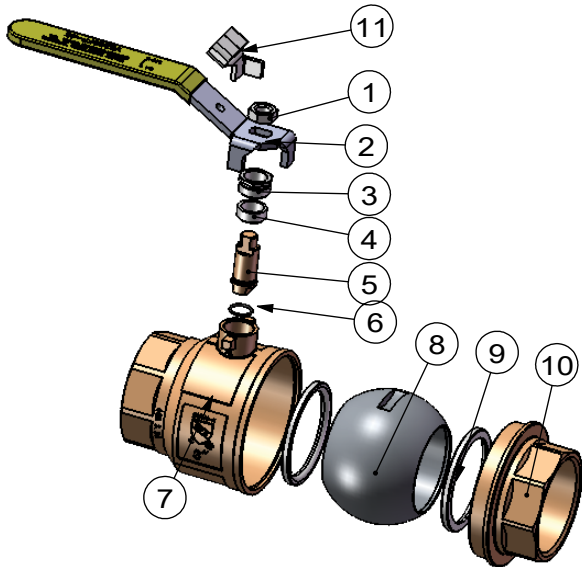
[www.meritbrass.com](http://www.meritbrass.com) • [www.MBWebXpress.com](http://www.MBWebXpress.com)



POSITION OF "OPEN"    POSITION OF "CLOSE"



PART NO.



No.	Part	Material	Qty.
1	Hex-nut	Steel	1
2	Handle	Steel	1
3	Packing nut	Brass	1
4	Packing gland	PTFE	1
5	Stem	C3600	1
6	O-ring	EPDM	1
7	Body	C3770	1
8	Ball	Stainless Steel	1
9	Seat	PTFE	2
10	Bonnet	C3770	1
11	Lock catch	Steel	1

Size	A(in)	B(in)	C(in)	D(in)	E	F(in)	G(in)	Weight(lb)	PART NO.
2-1/2"	5.551	1.063	1.063	∅ 2.5	2 1/2-8NPT	9.449	4.744	7.32	VB206FP-40
3"	6.378	1.142	1.142	∅ 3.031	3-8NPT	9.449	5.118	10.11	VB206FP-48
4"	7.543	1.201	1.201	∅ 3.937	4-8NPT	9.449	5.866	16.91	VB206FP-64