

Series 500F Gate Valve

Sizes 1/4" ~ 2"

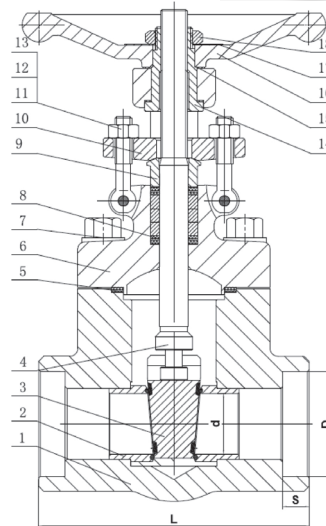


SERIES 500F DESIGN FEATURES

- ✓ Forged Carbon or Stainless Steel
- ✓ Class 800
- ✓ Maximum Pressure 1975 psi
- ✓ Maximum Temperature 850°F
- ✓ Bolted bonnet
- ✓ API 602 compliant
- ✓ Standard NACE MRO175

MATERIALS OF CONSTRUCTION

No.	Part	Material Carbon	Material Stainless
1	Body	A105	F316L
2	Seat	420	F316L
3	Wedge	13Cr	F316L
4	Stem	410	F316L
5	Gasket	SS304 Flexible Graphite	SS16 Flexible Graphite
6	Bonnet	A1015	F316L
7	Bolt	B7	B8M
8	Packing	Graphite	Graphite
9	Bolt	410	F316L
10	Pkg press plate	A105	F316L
11	Pin	SS	304
12	Gland Eyebolt	B7	B8M
13	Hex Nut	2H	8M
14	Stem Nut	1035	1035
15	Washer	410	410
16	Handwheel	A197	A197
17	Name Plate	AL	AL
18	Adjusting Nut	CS	CS



DIMENSIONS

Size-NPT	L	D	d	S
1/4"	3.11	0.56	0.28	0.38
3/8"	3.11	0.69	0.41	0.38
1/2"	3.11	0.86	0.41	0.38
3/4"	3.62	1.07	0.53	0.50
1"	4.37	1.33	0.71	0.50
1-1/4"	4.73	1.68	0.91	0.50
1-1/2"	4.73	1.92	1.14	0.50
2"	5.52	2.41	1.42	0.63

How to order 500F Series Gate Valves

Series	Material	Ends	Sizes
500F	C -Carbon Steel	T-Threaded	01 -1/4"*
	SS -Stainless Steel	W -Socket Weld	02 -3/8"*
			03 -1/2"
			04 -3/4"
			05 -1"
			06 -1-1/4"
			07 -1-1/2"
			08 -2"

*Size 1/4" and 3/8" are Carbon Steel only

Sample Part #: 500SST05

What do you need today?™

