



Franklin Electric

# WJC/JPC Convertible Jet Pump OWNER'S MANUAL

## SAFETY WARNINGS



**BEFORE OPERATING OR INSTALLING THIS PUMP, READ THIS MANUAL AND FOLLOW ALL SAFETY RULES AND OPERATING INSTRUCTIONS.**

### SAFETY:

READ THIS MANUAL BEFORE INSTALLING OR OPERATING THE PUMP.

### CAUTION:

Review instructions before operating.

### WARNING - ELECTRICAL PRECAUTIONS:

All wiring, electrical connections, and system grounding must comply with the National Electrical Code (NEC) and with any local codes and ordinances. Employ a licensed electrician.

### FOR DUAL-VOLTAGE MOTORS:

Voltage change instructions are located on motor label or on wiring access cover.

### WARNING - RISK OF ELECTRICAL SHOCK:

- Have an electrician provide electrical power to motor.
- A ground fault interrupter (GFI) protected circuit is recommended for use with any electrical device operating near water.
- For recommended cable size see Table 2 Maximum Wire Length.
- Motor must be grounded and terminal cover in place to reduce electrical shock hazard.
- Keep motor operating area as dry as possible.
- Always disconnect power before servicing.
- Not investigated for use in swimming pool area.

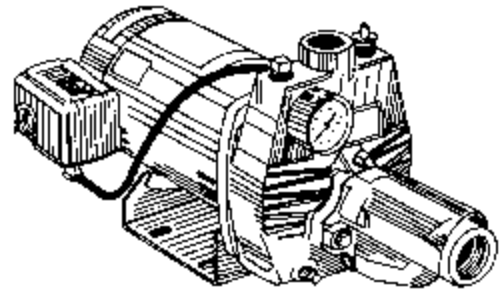
## APPLICATION

The convertible jet pump is ideal for the supply of fresh water to rural homes, farms and cabins that have suction lifts down to 90 ft. This pump may be installed as a shallow well unit with the injector mounted to the casing. For a deep well unit, the injector is mounted in the well and either combination of venturi or nozzle may be used. For vertical lifts of 25 ft. (7.5m) or less\*, install as a shallow well unit (Fig. 1a) and for vertical lifts beyond 25 ft. (7.5m), install as a medium depth deep well or as a deep well unit (Fig. 1b). In offset installations, friction losses in the suction pipe must be taken into consideration (refer to Table 3, Friction Loss Chart). This pump is not tested for use in swimming pool areas.

\*Less at high altitudes.

## INSTALLATION

a) **Pump Location:** The pump should be installed in a clean, dry and ventilated location which provides adequate room for servicing and protection from freezing temperatures. It should be bolted to a good foundation, preferably concrete and provided with adequate drainage. Locating the pump as close as possible to the water source reduces the friction in the suction pipe and will give maximum capacities.



- b) **Suction & Pressure Pipe:** It is recommended that only new clean 1-1/4" pipe or hose be used. If the pump is installed any appreciable distance away from the source of water, the suction pipe should be increased to 1-1/2". Horizontal lengths of pipe must gradually slope upwards from the source of water to the pump to avoid air pockets in the line. Thread compound should be used on all pipe joints and connections should be thoroughly tightened. A foot valve must be installed and its operation should be checked since a leak will prevent proper operation of the system. Make sure the foot valve is located so that it will be submerged at all times. If the well cannot supply as much water as the pump can draw, install a tailpipe up to 30 ft long between the injector and the foot valve. As the well draws down under heavy demand, the pump's capacity will be reduced, and the level will not go below the foot valve, which would cause the pump to lose its prime. If a sandpoint or driven well is used, install a check valve next to the pump suction instead of the foot valve (Fig. 4b). All installations must have a foot valve or a check valve in the suction pipe.
- c) **Pump to Tank Fittings:** The discharge pipe from the pump to the tank should be as short and direct as possible and should be the same size as that of the pump discharge tapping. A check valve should never be installed between the pump and the tank.
- d) **Service Line:** The service line should be connected as shown in Fig. 4a, b, c or d. The size of the service line required is governed entirely by the amount of water needed and the length of the pipe. The pipe selected should be large enough so that the friction loss (determined from Table 3, Friction Loss Chart) will never exceed 20 ft. (6m) head.

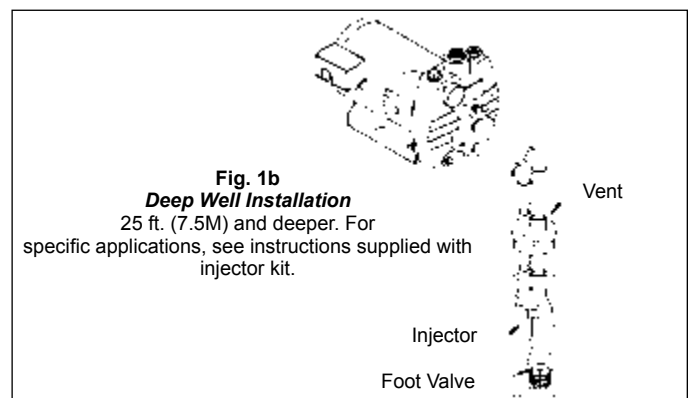
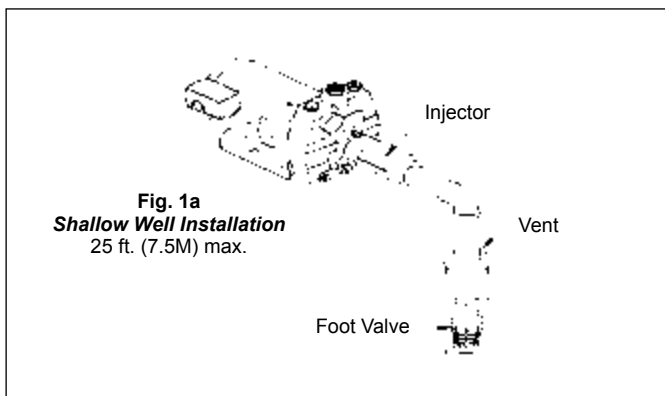
Adhere to the guidelines of national, state and local plumbing codes when installing this product. Check with the appropriate agencies or water system professional for additional information.

### WARNING - ELECTRICAL PRECAUTIONS

All wiring, electrical connections, and system grounding must comply with the National Electrical Code (NEC) and with any local codes and ordinances. Employ a licensed electrician.

### WARNING - RISK OF ELECTRICAL SHOCK

e) **Wiring:** An electrician should be employed to do the wiring and connect the electrical service to the pump. The pressure switch is wired to the motor at the factory and the voltage, for which the motor is wired, is indicated by a sticker on the back of the motor. Make sure the motor is wired for the same voltage as the power supply. Refer to the motor nameplate or inside terminal cover for voltage changing instructions. The power lines should be connected to the pressure switch terminals marked "line" (see Fig. 2). It is recommended that a separate circuit be led from the distribution panel to the pump unit. A ground fault interrupter (GFI) protected circuit should be used for all electrical devices



**TABLE 1 - PERFORMANCE**

HP	INJECTOR	DEPTH (IN FEET)													MINIMUM PSI	INJECTOR SETTINGS
		5	10	15	20	25	20	30	40	50	60	70	80	90		
		CAPACITY (IN GALLONS PER MINUTE @ 30 PSI DISCHARGE)														
SINGLE PIPE SHALLOW WELL INSTALLATION						DOUBLE PIPE DEEP WELL INSTALLATION										
1/2	SW	10.9	9.5	7.9	6.5	4.7	--	--	--	--	--	--	--	--	n/a	Mounted on pump
	DW (M)	--	--	--	--	--	11.3	9.4	7.6	--	--	--	--	--	25	45 feet
	DW	--	--	--	--	--	9.2	8.1	6.8	5.8	5.0	4.3	3.4	2.6	25	95 feet
3/4	SW	17.7	15.1	12.4	9.7	7.4	--	--	--	--	--	--	--	--	n/a	Mounted on pump
	DW (M)	--	--	--	--	--	14.7	12.3	9.7	--	--	--	--	--	25	45 feet
	DW	--	--	--	--	--	9.8	8.9	7.1	6.1	5.3	4.4	3.5	2.9	25	95 feet
1	SW	19.9	16.8	14.1	11.8	8.8	--	--	--	--	--	--	--	--	n/a	Mounted on pump
	DW (M)	--	--	--	--	--	16.2	13.5	11.0	--	--	--	--	--	25	45 feet
	DW	--	--	--	--	--	10.5	9.3	8.0	7.2	6.2	5.3	4.5	3.4	25	95 feet

SW - Shallow well      DW (M) - Deep well (medium)      DW - Deep well

operating near water. Install a proper fused disconnect switch in the line and make certain the wiring is adequately sized and well insulated. Undersized wire between the motor and the power source will adversely limit the starting and load carrying abilities of the motor. Minimum wire sizes for motor branch circuits are recommended (see Table 2). For added safety, the pump and motor should be grounded to the well casing if metal or the ground in the distribution panel.

- f) **Pressure Gauge:** If a pressure gauge is supplied with the pump or if you wish to install a pressure gauge, it should be installed into the 1/4" NPT hole on the front of the casing directly beside the discharge opening.
- g) **Air Volume Control:** If a non-diaphragm tank is used in the pressure system, an air volume control must be used to maintain an air cushion in the pressure tank. If not, air in the tank will gradually be absorbed by water, causing the tank to water log, and the pump to short cycle. This greatly shortens the life of the motor. An air volume control will provide the right air/water ratio and prevent water logging. Refer to pressure tank owner's manual for instructions.
- h) **Pressure Relief Valve:** A high pressure safety relief valve is recommended to be installed at some point in the water system. Ensure its location is near the discharge of the pump, in an area with adequate drainage. Be sure to direct the valve so that any water flow could not spray towards any electrical devices.

**OPERATION**

**⚠ WARNING: DO NOT RUN THE PUMP BEFORE PRIMING IT, SINCE THE SEAL AND IMPELLER COULD BE PERMANENTLY DAMAGED.**

**PRIMING:**

**Note:** You will need enough water to fill the suction line(s) and casing. Priming time depends on distance from water source to pump (5-15 minutes).

**Using an inline check valve:**

1. Open discharge valve on service line and nearby tap to monitor water flow.
2. Fully open control valve (counter-clockwise rotation).
3. Pour clean water through priming plug opening at top of casing until water starts flowing out.
4. Install enclosed priming plug, hand tighten.
5. Start pump. If a tap is visible, you may see a short discharge of water which will last 5-10 seconds.
6. Run the pump for two minutes and then shut it off. Remove priming plug.

7. You have completed the first priming cycle, consisting of steps 3 to 6. This process will have to be repeated from 2 to 6 times, depending on the length of your suction line (approximately one priming cycle for every 5 ft of suction line). You will know when to stop because the pump will begin to pump water continuously.
8. Once the pump begins pumping water continuously, firmly tighten the priming plug with a wrench.
9. Adjust the control valve (clockwise), so that the flow and pressure are stable. (see double pipe installation instructions)
10. If the pump does not draw water within 8 tries, shut it off and check for suction leaks.

**Using a foot valve:**

**SINGLE PIPE INSTALLATION**

11. Fill suction pipe with water prior to connecting piping to pump. You will need approximately 1 liter of water for every 3 ft. of suction line.  
**Note:** If you are unable to fill the suction line, please use the directions above for an inline check valve.
12. Follow steps 1 to 5 above. If within two minutes water is not being pumped continuously, stop the pump. Remove priming plug. Repeat steps 3 to 5 above. If this does not work, stop the pump and check the suction line for leaks.
13. Once the pump begins pumping water continuously, firmly tighten the priming plug with a wrench.

**DOUBLE PIPE INSTALLATION**

(Deep Well Application): Priming and setting the discharge control valve.

Follow the single pipe installation procedures. Close the control valve (clockwise rotation). If the pump is properly primed, pressure will build up immediately. Open the control valve slowly (approx. 1 to 2-1/2 turns) until the pump delivers maximum capacity as observed from an open tap nearest the pump. Observing the pressure gauge while the pump is pumping continue to adjust the control valve so that the pressure gauge reads approx. 25 PSI and flow and pressure is stable.

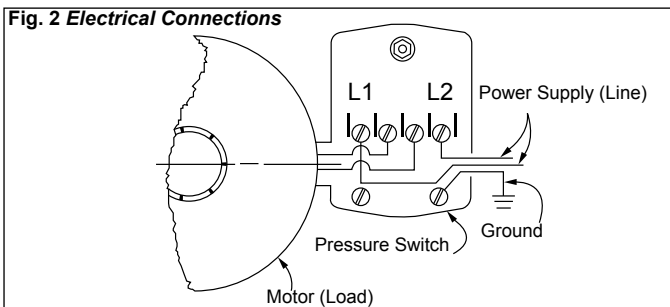
**DRAINING:**

Should the unit be subject to freezing, it will be necessary to drain the pump and tank. To do this, shut off the power to the pump at the main electrical panel. Open a tap in the water system to release the pressure. Remove the drain and priming plugs from the pump

**TABLE 2 – MAXIMUM WIRE LENGTH (FT.)**

HP	MOTOR Volts	WIRE GAUGE (AWG)				
		0-25 ft.	50 ft.	100 ft.	150 ft.	200 ft.
1/2	115	14	14	12	10	8
	230	14	14	14	14	14
3/4	115	14	14	10	8	8
	230	14	14	14	14	12
1	115	14	12	10	8	6
	230	14	14	14	14	12

Based on an approximate 3% voltage drop.



## MAINTENANCE

### **⚠ WARNING - RISK OF ELECTRICAL SHOCK**

Before servicing motor-operated equipment, shut off the power at the main electrical panel and disconnect the power supply from motor and accessories. Use safe working practices during servicing of equipment.

- a) Lubrication: The pump requires none. Refer to motor manufacturer's instructions.
- b) Replacing Mechanical Seal: (See Fig. 3)  
Only duly qualified persons should perform maintenance on electrical and/or mechanical devices.

#### Disassembly:

- 1) Shut off the power to the pump at the main service panel.
- 2) Open a tap in the water system to release the pressure.
- 3) Remove the drain (12) and prime plugs to allow the pump to drain.
- 4) Disconnect the tube leading to the pressure switch.
- 5) Remove the 4 bolts (1) and remove casing (2).
- 6) Pry the diffuser (4) out of the casing using two slotted screwdrivers for leverage.
- 7) Remove cap (5) and insert a screwdriver to prevent the shaft from turning while unscrewing the impeller (6) (GE motors). For A.O. Smith motors, remove rear cover and hold the shaft using a flat wrench inserted from the side, through the opening in the end of the housing. If the impeller cannot be turned by hand, insert a flat object into the impeller vane.
- 8) Slip the rotating seal (7) off the shaft and remove the seal plate (8).
- 9) Remove the ceramic seal seat (9) from the seal plate.

#### Reassembly:

- 1) Clean all the parts thoroughly before assembling.
- 2) Lightly lubricate (soapy water) the rubber cap on the ceramic seal (9) and push it into the seal plate using thumbs only. Make sure the smooth surface of the ceramic seat faces outwards.

**Note:** If the pump will remain out of service for longer than one week, the seal components must be installed dry (no lubrication).

- 3) Put the seal plate back on the motor.
- 4) Lubricate the rotating seal (7) (soapy water) and slip it onto the shaft with the 'carbon' ring towards the ceramic seat.
- 5) Replace the impeller (6) and the diffuser (4).
- 6) Replace the casing (2) making sure the gasket is not damaged and is in place.
- 7) Reconnect the tubes to the casing and to the pressure switch.
- 8) Reconnect the power.
- 9) Prime pump, start, check for leaks.

## TROUBLESHOOTING

- a) Motor will not start:
  - 1) No power to pressure switch due to blown fuses, open switches or loose connections.

- 2) Pump pressure switch not closed.
- b) Pump fails to deliver water:
  - 1) Pump not completely primed.
  - 2) Suction lift is too great.
  - 3) Foot valve is not submerged, buried in mud or plugged.
  - 4) Restrictor valve is fully closed.
- c) Pump loses prime:
  - 1) Air leaks in suction line.
  - 2) Well draws down too far and requires a tailpipe.
  - 3) Faulty foot valve.
- d) Pump delivers water but not at rated capacity:
  - 1) Leaks in suction or discharge line.
  - 2) Foot valve, suction line, impeller or nozzle are partially plugged.
  - 3) Suction lift is greater than recommended.
  - 4) Improper setting of control valve on deep well units.
  - 5) Improper impeller rotation or low speed.
  - 6) Motor is wired for improper voltage.
  - 7) Low line voltage at motor.
- e) Pump starts and stops too often:
  - 1) Air leak in tank above the water level.
  - 2) Incorrect setting on pressure switch.
  - 3) Tank is water logged or incorrectly charged.
  - 4) Foot valve leaks or is stuck open.

**TABLE 3 – FRICTION LOSS CHART FOR PLASTIC PIPE:**

For galvanized pipe, double the figures.

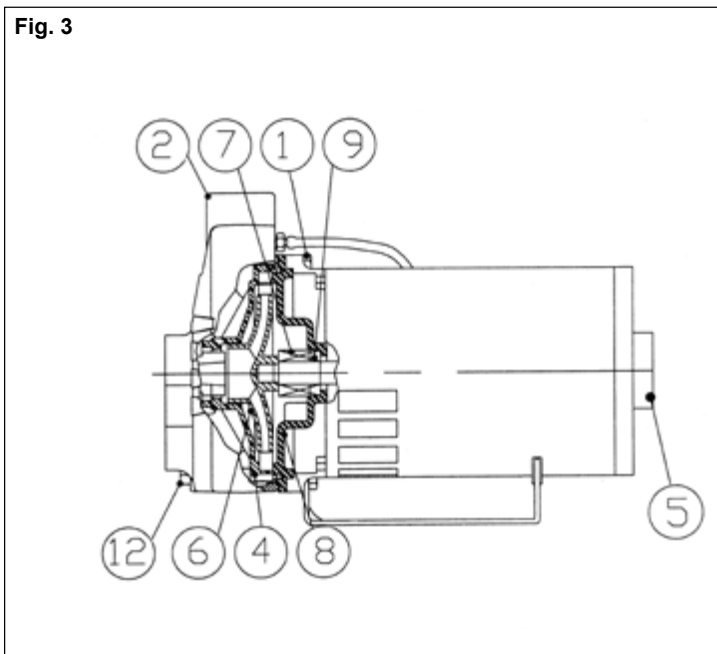
Loss of head in ft, due to friction per 100 ft of pipe

Nominal Pipe Size U.S. GPM	3/4"	1"	1 1/4"	1 1/2"	2"
4	3.74	1.15	0.30	0.14	–
5	5.66	1.75	0.46	0.22	–
6	7.95	2.45	0.65	0.31	–
7	10.60	3.25	0.86	0.41	–
8	13.50	4.16	1.10	0.52	–
9	16.80	5.17	1.35	0.65	–
10	20.40	6.31	1.67	0.79	0.23
11	24.40	7.58	1.98	0.95	0.27
12	28.60	8.85	2.33	1.10	0.32
14	38.00	11.80	3.10	1.46	0.43
16	48.60	15.10	3.96	1.87	0.55
18	60.50	18.70	4.93	2.33	0.69
20	73.50	22.80	6.00	2.83	0.84

Loss of head in meters, due to friction per 100m of pipe

Nominal Pipe Size l/min.	20mm	25mm	32mm	40mm	50mm
15	3.70	1.15	0.30	0.13	–
20	5.33	1.64	0.43	0.19	–
25	7.14	2.18	0.56	0.27	–
30	13.50	4.13	1.08	0.49	–
35	16.30	5.00	1.31	0.61	–
40	23.50	7.30	1.90	0.88	0.25
45	28.30	8.74	2.31	1.07	0.29
50	34.20	10.60	2.79	1.32	0.38
55	40.70	12.60	3.32	1.56	0.46
60	48.10	14.90	3.92	1.85	0.54
65	55.70	17.30	4.54	2.15	0.63
70	63.80	19.70	5.20	2.46	0.73
75	72.20	22.40	5.89	2.78	0.83

**Fig. 3**



TYPICAL INSTALLATIONS

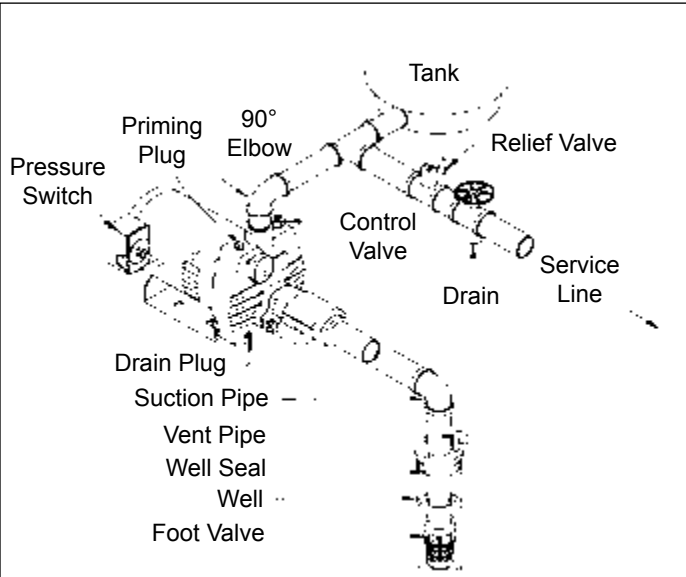


Fig. 4a SHALLOW WELL (WITH FOOT VALVE)

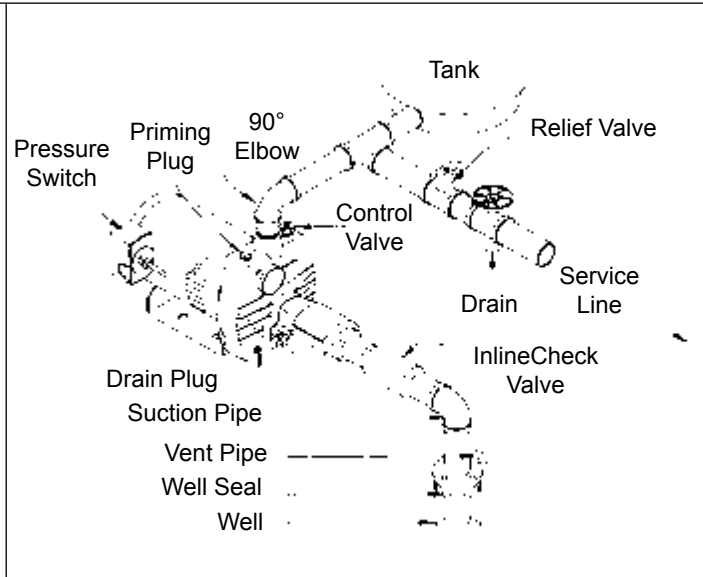


Fig. 4b SHALLOW WELL (WITH INLINE CHECK VALVE)

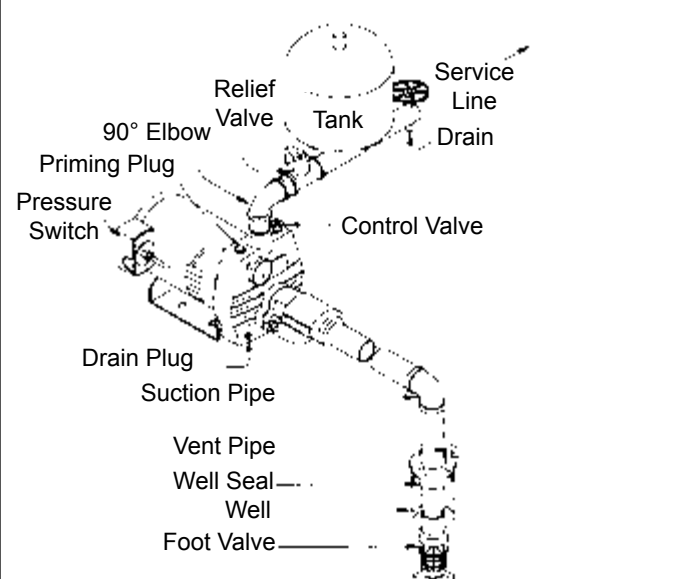


Fig. 4c SHALLOW WELL - INLINE TANK (WITH FOOT VALVE)

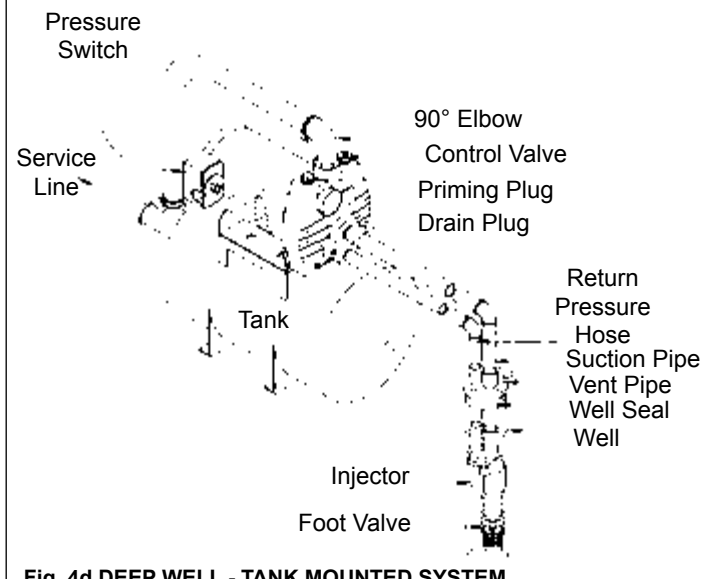
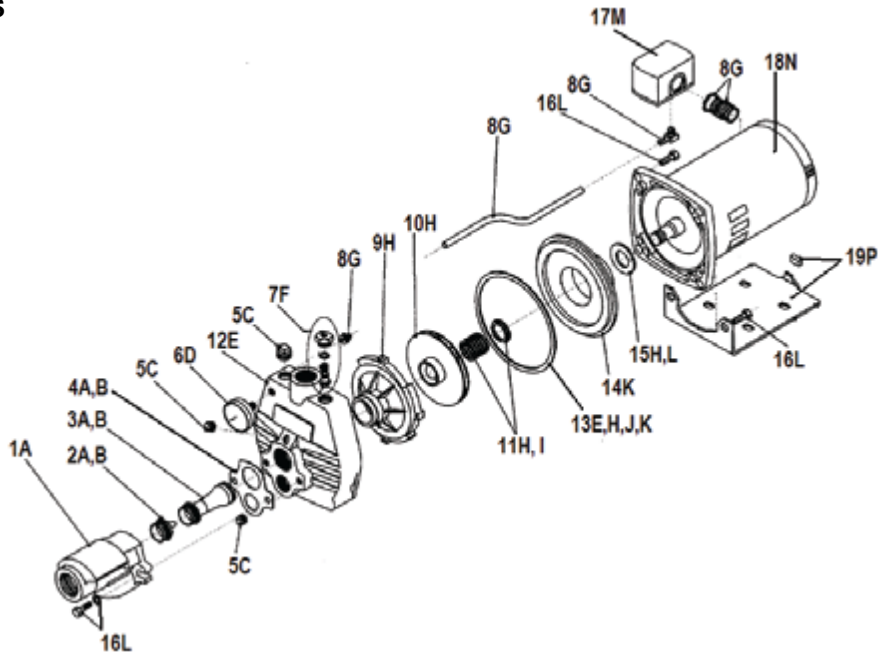


Fig. 4d DEEP WELL - TANK MOUNTED SYSTEM (DOUBLE PIPE INSTALLATION WITH FOOT VALVE)

# REPLACEMENT PARTS



Number	Description	Kit Grouping Identifier	Repair Part Order Codes by Model Number		
			1/2 hp	3/4 hp	1 hp
1	Injector body	A	305446946	305446947	
2	Nozzle	B	305446948	305446949	
3	Venturi	A	305446946	305446947	
4	Gasket, injector	B	305446948	305446949	
5	Plugs kit	C	305446953		
6	Pressure Gauge	D	305446935		
7	Valve assembly	F	305446951		
8	Switch attachment set	G	305446936		
9	Diffuser	H	305446941	305446942	
10	Impeller				
11	Mechanical Seal	I	106196221		
12	Casing	E	305446950		
13	Gasket	H	305446941	305446942	
		J	305446945		
		K	305446943		
14	Seal Plate	L	305446941	305446942	
15	Flinger				
16	Fastner Kit*	L	305446952		
17	Pressure Switch	M	305446944		
18	Motor	N	305446955	305446956	305446957
19	Base Assembly	P	305446960		

†Items with like identifiers are sold/packaged together.

\*Fastener kit (16L) is a complete set of the hardware used to assemble the pump. As a convenience, kit A,B,E,H,K contain the fasteners needed for the reassembly of its components.

# LIMITED WARRANTY\*

## **THIS WARRANTY SETS FORTH THE COMPANY'S SOLE OBLIGATION AND PURCHASER'S EXCLUSIVE REMEDY FOR DEFECTIVE PRODUCT.**

Franklin Electric Company, Inc. and its subsidiaries (hereafter "the Company") warrants that the products accompanied by this warranty are free from defects in material or workmanship of the Company.

The Company has the right to inspect any product returned under warranty to confirm that the product contains a defect in material or workmanship. The Company shall have the sole right to choose whether to repair or replace defective equipment, parts, or components.

The buyer should return the product to the place of purchase for warranty consideration. Subject to the terms and conditions listed below, the Company will repair or replace to the buyer any portion of this product which proves defective due to materials or workmanship of the Company.

The Company will consider products for warranty for 12 months from the date of installation or for 24 months from the date of manufacture, whichever occurs first.

The Company shall IN NO EVENT be responsible or liable for the cost of field labor or other charges incurred by any customer in removing and/or affixing any product, part or component thereof.

The Company reserves the right to change or improve its products or any portions thereof without being obligated to provide such change or improvement to previously sold products.

THIS WARRANTY DOES NOT APPLY TO products damaged by acts of God, including lightning, normal wear and tear, normal maintenance services and the parts used in connection with such service, or any other conditions beyond the control of the Company.

THIS WARRANTY WILL IMMEDIATELY VOID if any of the following conditions are found:

1. Product is used for purposes other than those for which it was designed and manufactured;
2. Product was not installed in accordance with applicable codes, ordinances and good trade practices;
3. Product was not installed by a Franklin Certified Contractor; or
4. Product was damaged as a result of negligence, abuse, accident, misapplication, tampering, alteration, improper installation, operation, maintenance or storage, nor to an excess of recommended maximums as set forth in the product instructions.

NEITHER SELLER NOR THE COMPANY SHALL BE LIABLE FOR ANY INJURY, LOSS OR DAMAGE, DIRECT, INCIDENTAL OR CONSEQUENTIAL (INCLUDING, BUT NOT LIMITED TO, INCIDENTAL OR CONSEQUENTIAL DAMAGES FOR LOST PROFITS, LOST SALES, INJURY TO PERSON OR PROPERTY, OR ANY OTHER INCIDENTAL OR CONSEQUENTIAL LOSS), ARISING OUT OF THE USE OR THE INABILITY TO USE THE PRODUCT, AND THE BUYER AGREES THAT NO OTHER REMEDY SHALL BE AVAILABLE TO IT.

THE WARRANTY AND REMEDY DESCRIBED IN THIS LIMITED WARRANTY IS AN EXCLUSIVE WARRANTY AND REMEDY AND IS IN LIEU OF ANY OTHER WARRANTY OR REMEDY, EXPRESS OR IMPLIED, WHICH OTHER WARRANTIES AND REMEDIES ARE HEREBY EXPRESSLY EXCLUDED, INCLUDING BUT NOT LIMITED TO ANY IMPLIED WARRANTY OF MERCHANTABILITY OR FITNESS FOR A PARTICULAR PURPOSE, TO THE EXTENT EITHER APPLIES TO A PRODUCT SHALL BE LIMITED IN DURATION TO THE PERIODS OF THE EXPRESSED WARRANTIES GIVEN ABOVE.

DISCLAIMER: Any oral statements about the product made by the seller, the Company, the representatives or any other parties, do not constitute warranties, shall not be relied upon by the buyer, and are not part of the contract for sale. Seller's and the Company's only obligation, and buyer's only remedy, shall be the replacement and/or repair by the Company of the product as described above. Before using, the user shall determine the suitability of the product for his intended use, and user assumes all risk and liability whatsoever in connection therewith.

Some states and countries do not allow the exclusion or limitations on how long an implied warranty lasts or the exclusion or limitation of incidental or consequential damages, so the above exclusion or limitations may not apply to you. This warranty gives you specific legal rights, and you may also have other rights which vary from state to state and country to country.

\*Contact Franklin Electric Co., Inc. Export Division for International Warranty.



**Franklin Electric**

400 E. Spring St, Bluffton, IN 46714  
Tel: 260-824-2900 Fax: 260-824-2909  
www.franklin-electric.com



Franklin Electric

# WJC Pompe À Injecteur Convertible À Amorçage Automatique

## GUIDE D'UTILISATION

### ⚠️ CONSIGNES DE SÉCURITÉ



**AVANT D'INSTALLER OU D'UTILISER CETTE POMPE, PRIÈRE DE LIRE LE PRÉSENT GUIDE ET SUIVRE TOUTES LES RÈGLES DE SÉCURITÉ ET INSTRUCTIONS D'UTILISATION.**

#### ⚠️ SÉCURITÉ:

LIRE ATTENTIVEMENT LES AVIS DE SÉCURITÉ SE TROUVANT DANS LE PRÉSENT MANUEL ET SUR LA POMPE.

#### ⚠️ CAUTION:

Passez les instructions en revue avant d'utiliser la pompe.

#### ⚠️ MISE EN GARDE- PRÉCAUTIONS ÉLECTRIQUES:

Tous câblage, connexions électriques et mise à la terre des systèmes doivent se conformer au Code National d'Electricité (NEC) et aux codes et ordonnances locaux. Employez un électricien autorisé.

#### ⚠️ POUR LES MOTEURS BI-TENSION:

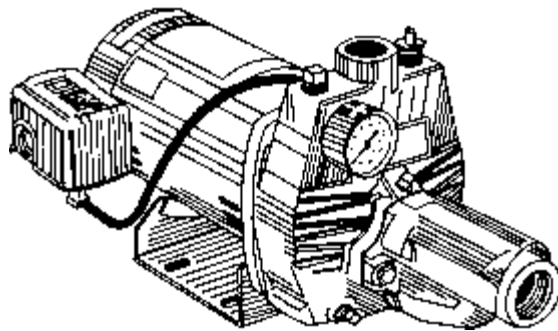
Les instructions pour changer la tension sont sur l'étiquette du moteur ou sur le couvercle d'accès aux files électriques.

#### ⚠️ MISE EN GARDE- RISQUE DE CHOC ÉLECTRIQUE:

- Faire appel à un électricien pour l'alimentation électrique du moteur.
- Un disjoncteur de fuite à la terre (DDFT) pour protéger le circuit est recommandé avec tout appareil électrique fonctionnant à proximité de l'eau.
- Pour la taille de câble recommandée, voir le Tableau 2 Longueur de câble maximale
- Le moteur doit être muni d'un conducteur avec mise à la terre et le couvercle des bornes doit être en place afin de réduire le risque de secousse électrique.
- Garder la zone de travail aussi sèche que possible.
- Vous assurer de toujours couper l'alimentation électrique avant tout entretien.
- Cette pompe n'a pas été testée pour être utilisée autour d'une piscine.

### APPLICATION

La pompe à injecteur convertible est idéale pour l'approvisionnement en eau potable des maisons de campagne, fermes et chalets qui ont une hauteur d'aspiration jusqu'à 90 pieds. Lorsque la pompe est utilisée pour un puits de surface l'injecteur devra être assemblé directement sur le boîtier de la pompe. Pour un puits profond l'injecteur est installé dans le puits et les deux combinaisons venturi-buse peuvent être utilisées. Pour une hauteur d'aspiration de 25 pieds (7.5 mètres) ou moins, l'installer comme une unité pour puits de surface (Fig. 1a) tandis que pour une hauteur d'aspiration au-delà de 25 pieds (7.5 mètres), l'installer comme une unité pour puits de profondeur moyenne ou pour puit profond (Fig. 1b). Pour ce qui est des installations décalées, il faut tenir compte des pertes de charge dans la conduite d'aspiration (voir le tableau 3 Diagramme de perte de charge). Cette pompe n'a pas été testée pour être utilisée autour d'une piscine.



\*Hauteur réduite en haute altitude.

### INSTALLATION

- Emplacement de la pompe : Il est conseillé d'installer la pompe dans un endroit propre, sec et aéré offrant de l'espace pour l'entretien et une protection contre le gel. La pompe devra être boulonnée à une assise solide, de préférence en béton et s'assurer que l'emplacement est bien drainé. Pour réduire les pertes de charge dans la conduite d'aspiration et obtenir le débit maximal, il est recommandé d'installer la pompe aussi près que possible du point d'eau.
- Tuyau d'aspiration et de pression : Il est recommandé de n'utiliser qu'un tuyau ou un boyau neuf de 1 1/4". Si la pompe se trouve à une certaine distance du point d'eau, il faudrait accroître le diamètre de la conduite et se servir d'un tuyau de 1 1/2". Les sections horizontales de tuyauterie seront graduellement inclinées vers le haut, depuis la source d'eau jusqu'à la pompe, pour éviter la formation de poches d'air dans la canalisation. Un mastic pour tuyau taraudé doit être utilisé sur tous les joints du tuyau et les connexions doivent être bien serrées. Un clapet de pied doit être installé et vérifié pour détecter toute fuite qui empêcherait le bon fonctionnement du système. Disposer le clapet de pied de façon à ce qu'il soit immergé en tout temps. Si le puits ne peut fournir autant d'eau que la pompe peut vidanger, installer un tuyau d'aspiration, jusqu'à 30 pieds de long, entre l'injecteur et le clapet de pied. Au moment où le niveau d'eau dans le puits baisse, lors d'une forte demande, la capacité de la pompe sera réduite et le niveau ne tombera pas sous le clapet de pied, ce qui engendrerait la perte de l'amorçage de la pompe. Si une pointe filtrante est utilisée, installer un clapet de retenue près du tuyau d'aspiration de la pompe au lieu de clapet de pied (Fig. 4b). Toutes les installations doivent avoir un clapet de pied et une soupape de retenue dans le tuyau d'aspiration.
- Raccordement de la pompe au réservoir : La conduite de refoulement de la pompe au réservoir devrait être aussi courte et directe que possible et son diamètre devrait être le même que celui de l'orifice de refoulement de la pompe. Il ne faudrait jamais installer un clapet de retenue entre la pompe et le réservoir.
- Branchement d'eau : Il faudrait raccorder le branchement d'eau comme l'indiquent les figures 2a, b, c ou d. Le diamètre de la conduite de branchement d'eau est en rapport direct avec le volume d'eau requis et la longueur de la conduite elle-même. Le diamètre de la conduite choisie devrait être assez grand pour que la hauteur de la perte de charge (établie à l'aide du tableau 3, Diagramme de perte de charge) ne dépasse jamais plus de 20 pieds (6 m).

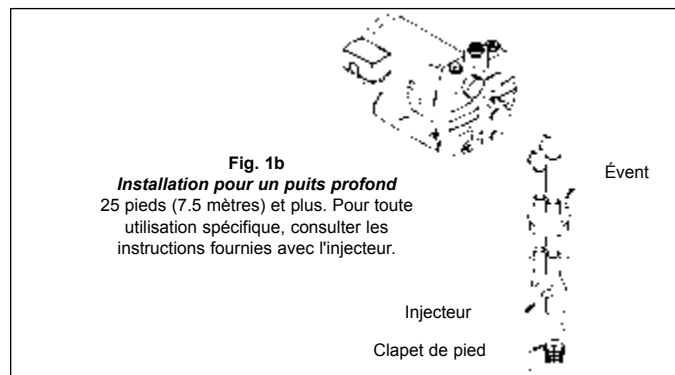
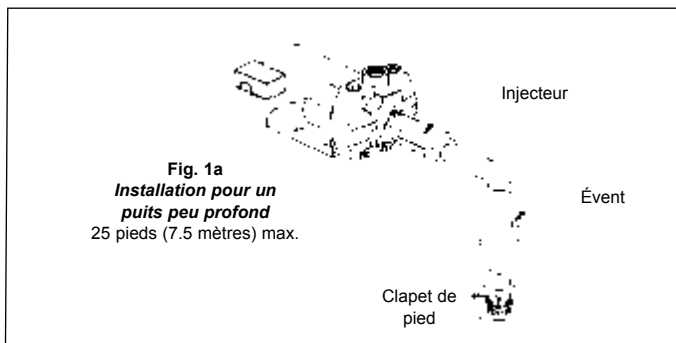


TABLEAU 1 – RENDEMENT

CV	INJECTEUR	PROFONDEUR EN MÈTRES													PRESSION MINIMUM	ADJ. INJECTEUR
		1.5	3.0	4.6	6.1	7.6	6.1	9.1	12.2	15.2	18.3	21.3	24.4	27.4		
		DÉBIT EN LITRES PAR MINUTE À 30 LB/PO.² HAUTEUR TOTALE														
INSTALLATION À TUYAU SIMPLE POUR PUIITS DE SURFACE					INSTALLATION À TUYAU DOUBLE POUR PUIITS PROFOND											
1/2	SW	41	36	30	25	18	--	--	--	--	--	--	--	--	n/a	Monté sur la pompe
	DW (M)	--	--	--	--	--	43	36	29	--	--	--	--	--	25	13.7 m
	DW	--	--	--	--	--	35	31	26	22	19	16	13	10	25	22.8 m
3/4	SW	67	57	47	37	28	--	--	--	--	--	--	--	--	n/a	Monté sur la pompe
	DW (M)	--	--	--	--	--	56	47	37	--	--	--	--	--	25	13.7 m
	DW	--	--	--	--	--	37	34	27	23	20	17	13	11	25	22.8 m
1	SW	75	64	53	45	33	--	--	--	--	--	--	--	--	n/a	Monté sur la pompe
	DW (M)	--	--	--	--	--	61	51	42	--	--	--	--	--	25	13.7 m
	DW	--	--	--	--	--	40	35	30	27	23	20	17	13	25	22.8 m

SW - Puit de surface DW (M) - Puits de profondeur moyenne DW - Puits profond

**AVERTISSEMENT- PRÉCAUTIONS ÉLECTRIQUES**

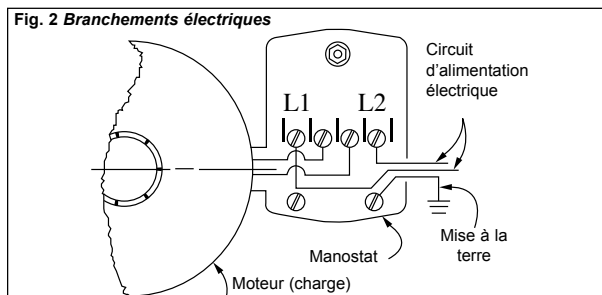
Tous câblage, connexions électriques et mise à la terre des systèmes doivent se conformer au Code National d'Electricité (NEC) et aux codes et ordonnances locaux. Employez un électricien autorisé.

**AVERTISSEMENT- RISQUE DE CHOC ÉLECTRIQUE**

- e) Câblage: Il est re-commandé qu'un électricien effectue le câblage et le raccord du service électrique à la pompe. Le manostat est branché en usine au moteur et sa tension de câblage est indiquée sur un autocollant au dos de la pompe. Veiller à ce que cette tension soit la même que celle du courant d'alimentation. Vérifier les directives pour une modification de la tension sur la plaque signalétique du moteur ou à l'intérieur du couvercle du terminal. Les lignes de courant de secteur seront connectées aux bornes du manostat marquées "LINE" (secteur) (Voir Fig. 2). Nous vous recommandons également d'utiliser un circuit indépendant et un câble d'alimentation reliant directement le panneau de distribution à la pompe. Un disjoncteur de fuite à la terre (DDFT) pour protéger le circuit devrait être utilisé avec tout appareil électrique fonctionnant à proximité de l'eau. Installer un disjoncteur à fusible approprié sur le circuit et veiller à ce que le câble soit de dimension adéquate et qu'il soit bien isolé. Un câble de calibre inférieur entre le moteur et le circuit d'alimentation affectera la capacité de démarrage et la puissance sous charge du moteur. Un calibre minimum pour le câblage est recommandé pour le câble du circuit d'alimentation (Voir tableau 2). Il serait préférable, pour ajouter encore à la sécurité, de mettre la pompe et le moteur à la masse en les branchant au tubage en acier du puits ou de les mettre à la terre dans le panneau de distribution électrique.
- f) Manomètre : Si un manomètre est fourni avec la pompe ou si vous désirez en installer un, il doit correspondre à l'orifice de 1/4 po NPT se trouvant sur la partie avant du boîtier, directement à côté de l'orifice de refoulement.
- g) Commande du volume d'air : Si un réservoir sans diaphragme est utilisé dans le système de pression, il faut utiliser un régulateur de volume d'air pour maintenir un coussin d'air dans le réservoir sous pression. Sinon, l'air dans le réservoir sera graduellement absorbé par l'eau; le réservoir pourrait alors être noyé et provoquer le fonctionnement de la pompe en cycles courts. Ce genre de situation abrège considérablement la durée de vie du moteur. En installant un régulateur de volume d'air, on obtient le bon rapport air/eau et on prévient la saturation du système. Pour plus de renseignements, on devrait consulter le manuel qui accompagne le réservoir à pression.
- h) Soupape de sureté : Il est recommandé d'installer une soupape de sécurité haute pression à un certain point dans le système d'eau. Placez-la à proximité de la décharge de la pompe dans un endroit pouvant offrir un drainage adéquat. Assurez-vous de la diriger de telle manière qu'aucun écoulement d'eau ne puisse éclabousser un dispositif électrique.

**FONCTIONNEMENT**

**AVERTISSEMENT : DE NE PAS FAIRE FONCTIONNER LA POMPE À SEC**



**AVANT L'AMORÇAGE, SINON LE JOINT D'ÉTANCHÉITÉ ET LA ROUE DE TURBIN E SERAIENT ENDOMMAGÉS DE FAÇON PERMANENTE.**

**AMORÇAGE:**

Remarque: La quantité d'eau doit être suffisante pour remplir la conduite d'aspiration et le boîtier de la pompe. Le temps d'amorçage est fonction de la distance allant de la source d'eau à la pompe [5-15 min.].

**Utilisation d'un clapet anti-retour sur conduite :**

1. Ouvrir le clapet de refoulement se trouvant sur la conduite de raccordement et près du robinet pour surveiller le débit d'eau.
2. Ouvrir complètement le robinet de contrôle [rotation dans le sens anti-horaire].
3. Verser de l'eau propre dans l'orifice situé sur le dessus du boîtier et où sera installé ultérieurement le bouchon d'amorçage [orifice d'amorçage], jusqu'à ce que l'eau commence à sortir.
4. Installer le bouchon d'amorçage fourni, et serrer à la main.
5. Mettre la pompe en marche. Si celle-ci est munie d'un robinet visible, il est possible que vous observiez un refoulement de courte durée [5-10 secondes].
6. Faire fonctionner la pompe pendant 2 minutes, puis l'arrêter. Retirer le bouchon d'amorçage.
7. Vous avez terminé le premier cycle d'amorçage qui consiste des étapes 3 à 6. Ce processus devra être répété de 2 à 6 fois, selon la longueur de votre conduite d'aspiration [environ un cycle d'amorçage pour chaque longueur de 5 pieds de conduite d'aspiration]. Vous interrompez le processus quand la pompe commence à pomper de l'eau de façon continue.
8. À ce moment, bien serrer le bouchon d'amorçage au moyen d'une clé.
9. Ajuster le robinet de contrôle [dans le sens anti-horaire], pour assurer la stabilité du débit et de la pression. (voir les instructions d'installation à conduite double)
10. Si la pompe ne pompe pas d'eau après 8 essais, couper son fonctionnement et vérifier la tuyauterie d'aspiration afin de s'assurer qu'il n'y a aucune fuite.

**Utilisation d'un clapet de pied :**

**INSTALLATION À CONDUITE UNIQUE**

11. Remplir d'eau la conduite d'aspiration avant de raccorder la tuyauterie à la pompe. Vous aurez besoin d'environ 1 litre d'eau pour chaque longueur de 3 pieds de conduite d'aspiration.  
Remarque : S'il vous est impossible de remplir la conduite d'aspiration, prière de consulter les instructions ci-dessus concernant le clapet anti-retour sur conduite.
12. Suivre les étapes 1 à 5 ci-dessus. Si la pompe ne pompe pas d'eau continuellement après 2 minutes, il faut l'arrêter, retirer le bouchon d'amorçage et répéter les étapes 3 à 5 ci-dessus. En cas d'échec, arrêter la pompe et vérifier la conduite d'aspiration afin de s'assurer qu'il n'y a aucune fuite.
13. Une fois que la pompe commence à pomper de l'eau de façon continue, bien serrer le bouchon d'amorçage au moyen d'une clé.

**INSTALLATION À CONDUITE DOUBLE**

(Pour puits profond) Amorçage et réglage de la soupape de contrôle de sortie.

TABLEAU 2 - LONGUEUR MAXIMALE DES FILS (EN PIEDS)

CV	MOTEUR	CALIBRE DES FILS (AWG)				
		Volts	0-25 pi.	50 pi.	100 pi.	150 pi.
1/2	115	14	14	12	10	8
	230	14	14	14	14	14
3/4	115	14	14	10	8	8
	230	14	14	14	14	12
1	115	14	12	10	8	6
	230	14	14	14	14	12

Basée sur une baisse de voltage approximative de 3%.



Suivez les procédures pour installation à conduite unique. Fermez la soupape de contrôle (dans le sens des aiguilles d'une montre). Si la pompe est correctement amorcée, la pression augmentera immédiatement. Ouvrir la soupape de contrôle lentement (d'environ un tour à deux tours et demi) jusqu'à ce que la capacité de la pompe atteigne son maximum à un robinet ouvert à proximité de la pompe. En observant le manomètre tandis que la pompe fonctionne, continuer d'ajuster la soupape de contrôle pour que la lecture sur le manomètre soit d'environ 25lb/po<sup>2</sup> alors que le débit et la pression demeurent stables.

#### DRAINAGE :

Si la pompe est exposée au gel, il faut vidanger la pompe et le réservoir. Pour ce faire, couper l'alimentation électrique de la pompe au panneau de distribution principal. Ouvrir un robinet dans le système d'alimentation en eau potable afin d'abaisser la pression. Retirer les bouchons de drainage et d'amorçage du boîtier de la pompe. Retirer le bouchon de drainage du réservoir à pression (s'il en possède un). Attendez suffisamment longtemps pour permettre au système de se drainer complètement avant de remettre les bouchons.

#### ENTRETIEN

**⚠ AVERTISSEMENT - RISQUE DE CHOC ÉLECTRIQUE :** Avant d'installer l'équipement du moteur, couper l'alimentation électrique au panneau de distribution principal et débrancher le circuit d'alimentation électrique du moteur et des accessoires. Utiliser des procédures de travail sécuritaires pendant l'installation de l'équipement.

- Lubrification : Cette pompe ne nécessite aucune lubrification. Consulter le mode d'emploi du fabricant du moteur.
- Remplacement du joint mécanique : (Voir Fig. 3)  
Seulement le personnel déjà entraîné et qualifié devrait effectuer l'entretien des équipements électriques et/ou mécaniques.

#### Démontage:

- Couper l'alimentation électrique de la pompe au panneau de distribution principal.
- Ouvrir un robinet dans le système d'alimentation d'eau afin de réduire la pression.
- Enlever les bouchons de drainage (12) et d'amorçage afin de permettre le drainage de la pompe.
- Débrancher le tube raccordé au manostat.
- Enlever les 4 boulons (1) et enlever le boîtier (2).
- Soulever en pressant le diffuseur (4) hors du boîtier en utilisant 2 tournevis droits comme levier.
- Enlever le couvercle (5) et insérer un tournevis pour empêcher l'arbre de tourner pendant le dévissage de la roue de turbine (6) (moteur G.E.). Pour les moteurs de marque A.O. Smith, enlever le couvercle arrière et tenir l'arbre en utilisant une clef à molette insérée à travers l'ouverture à l'extrémité du caisson. Si vous ne parvenez pas à tourner la roue manuellement, insérer un objet plat dans l'aube de la roue.
- Faire glisser la partie rotative du joint mécanique (7) hors de l'arbre et dégager la plaque d'étanchéité (8).
- Enlever le siège de céramique (9) de la plaque d'étanchéité.

#### Remontage:

- Bien nettoyer toutes les pièces avant de les assembler.
- Lubrifier légèrement (avec de l'eau savonneuse) le capuchon en caoutchouc sur le siège de céramique (9) et l'enfoncer, avec les pouces seulement, dans la plaque d'étanchéité. Ne pas oublier que la surface lisse du siège de céramique doit être tournée vers l'extérieur.

REMARQUE: Si l'on prévoit que la pompe ne sera pas utilisée pendant plus d'une semaine, les éléments d'étanchéité doivent être posés à sec (sans lubrification).

- Remonter la plaque d'étanchéité sur le moteur.
- Lubrifier la partie rotative du joint d'étanchéité (7) (avec de l'eau savonneuse) et la glisser sur l'arbre avec l'anneau en carbone faisant face au siège de céramique.
- Remettre en place la roue (6) et le diffuseur (4).
- Remettre le boîtier (2) en s'assurant que le joint d'étanchéité n'est pas

endommagé et qu'il est bien en place.

- Raccorder les tubes au boîtier et au manostat.
- Rebrancher l'alimentation électrique.
- Amorcer la pompe, la mettre en marche et s'assurer qu'il n'y a pas de fuites.

#### GUIDE DE DÉPANNAGE

- Le moteur ne démarre pas:
  - Le manostat ne fonctionne pas en raison de fusibles brûlés, d'interrupteurs ouverts ou d'un raccordement desserré.
  - Le manostat de la pompe n'est pas fermé.
- Aucun pompage:
  - La pompe n'est pas complètement amorcée.
  - La hauteur d'aspiration est trop élevée.
  - Le clapet de pied n'est pas immergé, est enfoui dans la boue ou est obstrué.
  - La soupape de contrôle est entièrement fermée.
- Perte d'amorçage:
  - Fuites d'air dans la conduite d'aspiration.
  - Le niveau d'eau baisse trop dans le puits ce qui nécessite un tuyau d'aspiration.
  - Un clapet de pied défectueux.
- La pompe refoule l'eau à un débit insuffisant:
  - Fuites dans les conduites d'aspiration ou de refoulement.
  - Obstruction partielle du clapet de pied, de la conduite d'aspiration, de la roue ou de la buse.
  - Hauteur d'aspiration plus élevée que recommandée.
  - Réglage incorrect de la soupape de contrôle sur un puits profond.
  - Rotation incorrecte ou régime trop faible de la roue de turbine.
  - Le moteur est câblé pour un voltage incorrect.
  - La compagnie d'électricité fournit un voltage trop bas pour le moteur.
- Démarrage et arrêt trop fréquent de la pompe:
  - Fuite d'air dans le réservoir au-dessus du niveau de l'eau.
  - Mauvais réglage du manostat.
  - Le réservoir est saturé d'eau ou incorrectement pressurisé pour l'application choisie.
  - Le clapet de pied fuit ou reste ouvert.

#### TABLEAU 3 - DIAGRAMME DE PERTE DE CHARGE POUR CONDUITE EN PLASTIQUE:

Pour de la tuyauterie en acier galvanisé, doubler les chiffres ci-dessus.

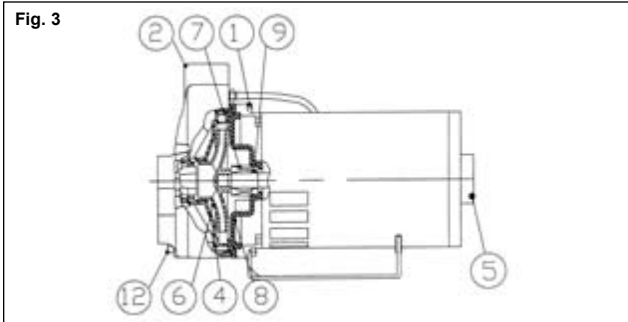
Perte de hauteur totale de charge en pieds, causée par la friction par 100 pieds de conduite.

Diamètre nominal de conduite Gal U.S. / min.	3/4 po	1 po	1 1/4 po	1 1/2 po	2 po
4	3.74	1.15	0.30	0.14	—
5	5.66	1.75	0.46	0.22	—
6	7.95	2.45	0.65	0.31	—
7	10.60	3.25	0.86	0.41	—
8	13.50	4.16	1.10	0.52	—
9	16.80	5.17	1.35	0.65	—
10	20.40	6.31	1.67	0.79	0.23
11	24.40	7.58	1.98	0.95	0.27
12	28.60	8.85	2.33	1.10	0.32
14	38.00	11.80	3.10	1.46	0.43
16	48.60	15.10	3.96	1.87	0.55
18	60.50	18.70	4.93	2.33	0.69
20	73.50	22.80	6.00	2.83	0.84

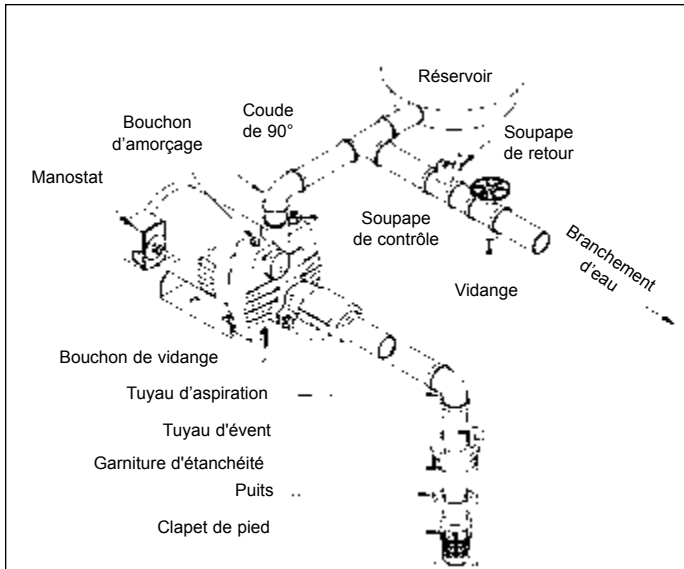
Perte de hauteur totale de charge en mètres, causée par la friction par 100 mètres de conduite.

Diamètre nominal de conduite litres / min.	20mm	25mm	32mm	40mm	50mm
15	3.70	1.15	0.30	0.13	—
20	5.33	1.64	0.43	0.19	—
25	7.14	2.18	0.56	0.27	—
30	13.50	4.13	1.08	0.49	—
35	16.30	5.00	1.31	0.61	—
40	23.50	7.30	1.90	0.88	0.25
45	28.30	8.74	2.31	1.07	0.29
50	34.20	10.60	2.79	1.32	0.38
55	40.70	12.60	3.32	1.56	0.46
60	48.10	14.90	3.92	1.85	0.54
65	55.70	17.30	4.54	2.15	0.63
70	63.80	19.70	5.20	2.46	0.73
75	72.20	22.40	5.89	2.78	0.83

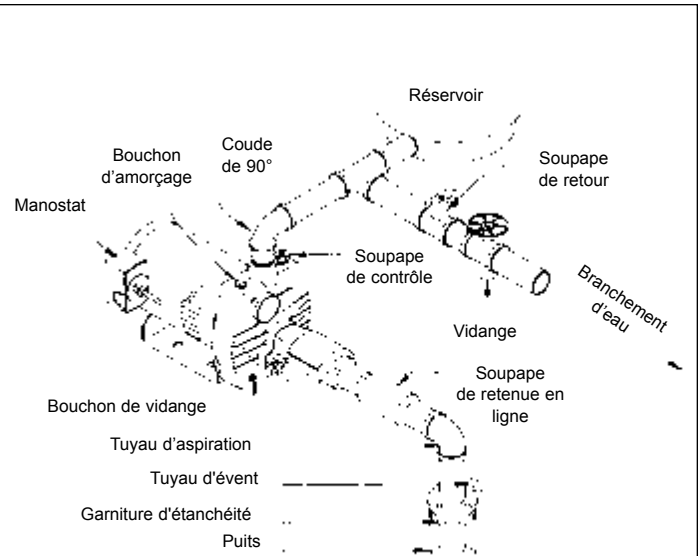
Fig. 3



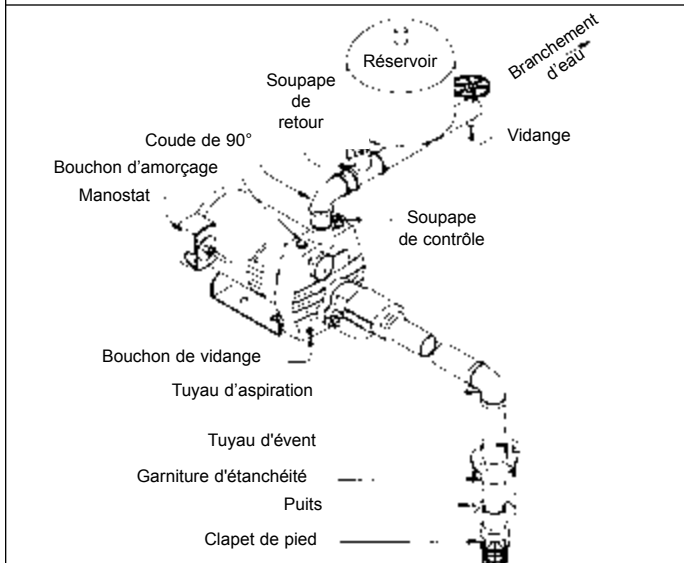
## INSTALLATIONS CARACTÉRISTIQUES



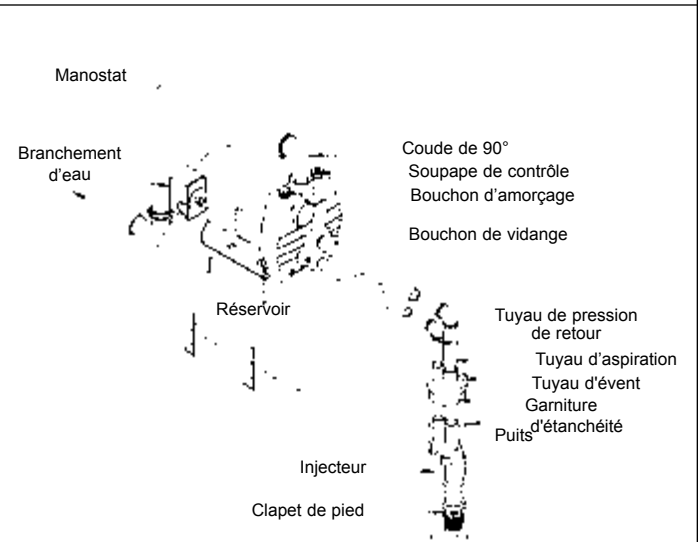
**Fig. 4a Puits peu profond (avec clapet de pied)**



**Fig. 4b Puits peu profond (avec soupape de retenue en ligne)**

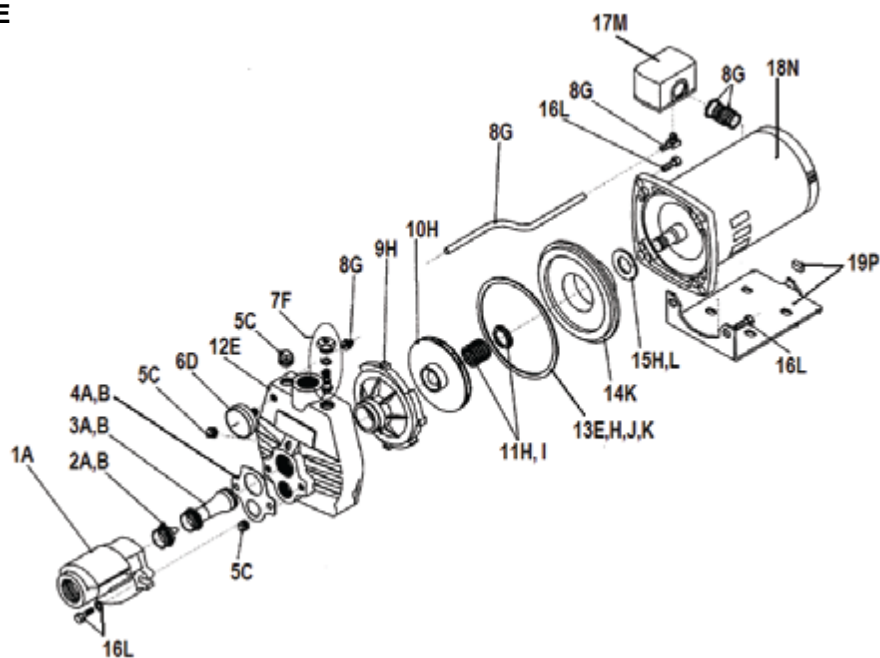


**Fig. 4c Puits peu profond - réservoir en ligne (avec clapet de pied)**



**Fig. 4d Puits peu profond - système monté sur le réservoir (installation à conduite double avec clapet de pied)**

## PIÈCES DE RECHANGE



Numéro	Description	Identifiant du groupe de trousse	Codes de commande des pièces de rechange par numéro de modèle		
			1/2 hp	3/4 hp	1 hp
1	Corps d'injecteur	A	305446946	305446947	
2	Bec	B	305446948	305446949	
3	Venturi	A	305446946	305446947	
4	Joint d'étanchéité, injecteur	B	305446948	305446949	
5	Trousse de bouchons	C	305446953		
6	Manomètre	D	305446935		
7	Ensemble de clapet	F	305446951		
8	Ensemble de raccordement de l'interrupteur	G	305446936		
9	Diffuseur	H	305446941	305446942	
10	Roue				
11	Joint mécanique	I	106196221		
12	Boîtier	E	305446950		
13	Joint d'étanchéité	H	305446941	305446942	
		J	305446945		
		K	305446943		
14	Plaque d'étanchéité	H	305446941	305446942	
15	Déflexeur				
16	Trousse de fixation*	L	305446952		
17	Manostat	M	305446944		
18	Moteur	N	305446955	305446956	305446957
19	Base	P	305446960		

Les articles aux identifiants similaires sont vendus/emballés ensemble

La trousse de fixation (16L) est un ensemble complet de ferrures utilisées pour assembler la pompe. Pour plus de commodité, les trousse A, B, E, H et K contiennent les attaches requises pour le réassemblage de ses composants.

## **GARANTIE RESTREINTE AUX É.-U.\***

### **Franklin Electric Co., Inc.**

Franklin Electric Co., Inc. garantit que ses appareils neufs sont exempts de tout défaut de matériau et de fabrication. La garantie couvre la durée la plus courte entre une période de 1 an à partir de la date d'installation ou de 2 ans à partir de la date de fabrication **UNIQUEMENT** pour une installation en eau propre et potable. La garantie ne couvre pas les utilisations de pompage d'eau salée ou d'autres liquides corrosifs. L'utilisateur doit consulter et respecter les codes locaux pour toutes les applications. Franklin Electric Co., Inc. offre d'ailleurs une garantie additionnelle sur certains produits, comme décrit dans la présente.

La responsabilité de Franklin Electric concernant les équipements fabriqués par d'autres fournisseurs se limite à la garantie réellement offerte à Franklin Electric par ces fournisseurs.

La garantie ne s'applique qu'à l'acheteur initial de l'appareil au détail et uniquement pendant la période pendant laquelle l'acheteur initial habite le même endroit où l'appareil a été installé la première fois.

Toute demande de service sous cette garantie doit être adressée au marchand de produits Franklin Electric où l'appareil a été acheté, dès que possible après la découverte du défaut présumé. Franklin Electric prendra alors des mesures correctives dans un délai aussi court que raisonnablement possible.

Franklin Electric peut, à sa discrétion et après l'inspection par un représentant autorisé de l'entreprise ou après réception par du produit à l'usine de Franklin Electric, remplacer ou réparer tout produit couvert par cette garantie. Aucun remplacement ni réparation n'est possible avant l'inspection du produit. L'acheteur assume tous les frais de transport ainsi que les frais d'enlèvement et de réinstallation de l'appareil ou les frais d'installation d'un appareil de rechange.

**LA GARANTIE PRÉSENTE REMPLACE TOUTE GARANTIE NON DATÉE OU PORTANT UNE DATE ANTÉRIEURE. TOUTE GARANTIE IMPLICITE DÉTENUE PAR L'ACHETEUR, INCLUANT LA GARANTIE DE QUALITÉ MARCHANDE ET D'APTITUDE À UN USAGE PARTICULIER, NE S'APPLIQUERA QUE PENDANT LA PÉRIODE DE GARANTIE APPLICABLE. Certains États ne permettent aucune limitation de la durée d'une garantie implicite. La restriction ci-dessus pourrait donc ne pas s'appliquer à votre cas. FRANKLIN ELECTRIC NE SERA EN AUCUN CAS RESPONSABLE DES DOMMAGES CONSÉCUTIFS OU INDIRECTS. Certains États ne permettent pas l'exclusion des dommages consécutifs ou indirects ou des restrictions quant à ces dommages. La disposition ci-dessus pourrait donc ne pas s'appliquer à votre cas.**

La garantie présente ne couvre aucun produit ayant subi de la négligence, des modifications, un accident, de l'abus ou un mauvais usage, une installation inappropriée, du vandalisme, des troubles publics ou une catastrophe naturelle. Les seules garanties autorisées par Franklin Electric sont les garanties décrites dans la présente. Franklin Electric n'autorise aucune autre personne à offrir des garanties concernant ses produits et n'assumera aucune responsabilité pour toute garantie non autorisée offerte lors de la vente de ses produits.

**LA GARANTIE PRÉSENTE VOUS CONFÈRE CERTAINS DROITS RECONNUS PAR LA LOI. VOUS POURRIEZ DÉTENIR D'AUTRES DROITS, QUI PEUVENT DIFFÉRER SELON LES ÉTATS.**

\* Veuillez vous adresser à la section des exportations de Franklin Electric Co., Inc. pour des renseignements concernant la garantie internationale.



**Franklin Electric**

400 E. Spring St, Bluffton, IN 46714  
Tel: 260-824-2900 Fax: 260-824-2909  
[www.franklin-electric.com](http://www.franklin-electric.com)



Franklin Electric

# WJC Bombas a Chorro Convertibles y Autocargables

# MANUAL DEL PROPIETARIO

## ⚠️ ADVERTENCIAS DE SEGURIDAD



**LEA ESTE MANUAL Y SIGA TODAS LAS REGLAS DE SEGURIDAD ANTES DE INSTALAR U OPERAR ESTA BOMBA.**

### ⚠️ SEGURIDAD:

LEA CUIDADOSAMENTE ESTOS MENSAJES DE SEGURIDAD EN ESTE MANUAL Y EN LA BOMBA.

### ⚠️ CUIDADO:

Revise cuidadosamente las instrucciones antes de usarla.

### ⚠️ AVISO - PRECAUCIONES ELÉCTRICAS:

Todo cableado, conexiones eléctricas y sistemas de contacto a tierra deben cumplir con el Código Eléctrico Nacional (NEC) y con cualquier código y ordenanza local. Contrate los servicios de un electricista con licencia.

### ⚠️ PARA MOTORES DE DOS VOLTIOS:

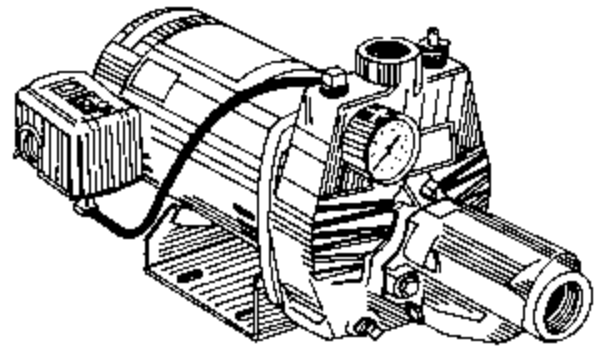
Las instrucciones por el cambio de voltio estan sobre la etiqueta del motor o la cubierta del alambrado.

### ⚠️ AVISO - RIESGO DE DESCARGA ELÉCTRICA:

- Haga que un electricista provea de energía al motor.
- Se recomienda un protector de circuitos por falla de conexión a tierra (GFI) en cualquier dispositivo eléctrico que opere cerca del agua.
- Para tamaños de cable recomendados vea la tabla 2 Largo máximo del cable
- El motor debe estar conectado a tierra y la cubierta del terminal debe instalarse para evitar riesgos de descarga eléctrica.
- Mantenga el área de operación tan seca como sea posible.
- Desconecte siempre el suministro eléctrico antes de darle servicio.
- Este producto no ha sido probado para usarse en áreas de piscinas.

## APLICACIÓN

La bomba convertible a chorro es ideal para suministrar agua potable a viviendas rurales, granjas y cabañas que tienen columnas de succión de hasta 90 pies. Esta bomba puede instalarse como unidad para pozo de poca profundidad con el inyector montado en el casco. Para unidades de pozo profundo el inyector está montado en el pozo y puede usarse cualquier combinación de venturi o boquilla. Para columnas de succión vertical de \*25 pies (7.5 m) o menos, instálela como unidad para pozo poco profundo (Fig. 1a) y para columnas de succión vertical de más de 25 pies (7.5 m) instálela como unidad para pozo profundidad mediana o como unidad para pozo profundo (Fig. 1b). En instalaciones donde hay una distancia entre el pozo y la bomba, se debe tomar en cuenta las pérdidas por fricción en la línea de succión (referirse a la Tabla 3. Tabla de Pérdidas por Fricción). Esta bomba no ha sido probada para usarse en áreas de piscina.



\* Menos a gran altitud.

## INSTALACIÓN

- Ubicación de la Bomba: La bomba debe instalarse en un lugar limpio, seco y ventilado, con suficiente espacio para darle servicio y protegida de las temperaturas congelantes. La bomba debe empernarse a una buena base, preferiblemente de concreto y con drenajes adecuados. Para reducir la fricción en la tubería de succión y para que la bomba genere su máxima capacidad; instálela tan cerca del suministro de agua como sea posible.
- Tuberías de Presión y Succión: Se recomienda usar únicamente tuberías nuevas y limpias de 1-1/4". Si la bomba se instala a una distancia apreciable del suministro de agua, el tamaño de la tubería de succión debe incrementarse a 1-1/2". Los tramos horizontales de la tubería deben tener una pendiente gradual de la fuente de agua a la bomba para evitar burbujas de aire en la línea. Se debe usar compuestos para roscas en todas las uniones de la tubería, y las conexiones deben estar bien ajustadas. Se debe instalar una válvula de pie y su operación debe inspeccionarse debido a que las fugas evitan la operación apropiada del sistema. Asegúrese de ubicar la válvula de pie de tal manera que siempre esté sumergida. Si el pozo no puede proveer la misma cantidad de agua que la bomba succiona, instale una tubería de escape hasta 30 pies de largo entre el inyector y la válvula de pie. Al vaciarse el pozo debido a la fuerte demanda, la capacidad de la bomba disminuirá y el nivel del agua no caerá por debajo de la válvula de pie haciendo perder la carga de la bomba. Si se usa una base al fondo del pozo, o un pozo guiado, instale una válvula de chequeo junto a la aspiración de la bomba en lugar de la válvula de pie. (Fig. 4b). Todas las instalaciones deben tener una válvula de pie o de chequeo en la tubería de succión.
- Acoples de la Bomba al Tanque: la tubería de descarga de la bomba al tanque debe ser tan corta y directa como sea posible y debe ser del diámetro de la tubería de salida de la bomba. Nunca se debe instalar una válvula de chequeo entre la bomba y el tanque.
- Línea de Servicio: la línea de servicio debe conectarse como se muestra en la Fig. 4a, b, c ó d. El diámetro de la línea de servicio está totalmente determinado por la cantidad de agua que se necesita y la longitud de la tubería. La tubería elegida debe tener el diámetro suficiente para que las pérdidas por la fricción (determinadas en la Tabla 3, Tabla de Pérdidas por Fricción) nunca excedan 20 pies (6 metros) de presión.

### ⚠️ AVISO - PRECAUCIONES ELÉCTRICAS

Todo cableado, conexiones eléctricas y sistemas de contacto a tierra deben

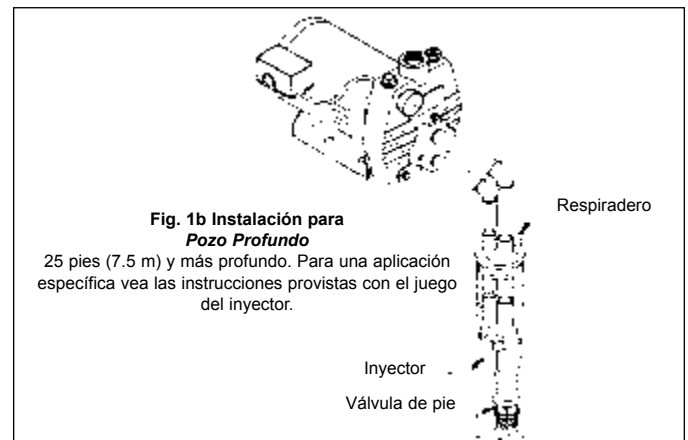
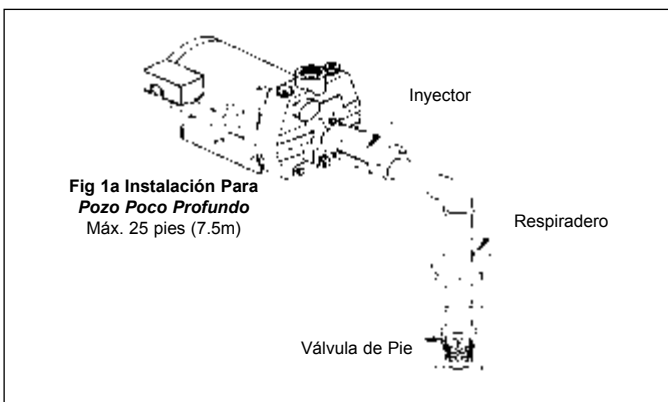


TABLA - 1 RENDIMIENTO

HP	INYECTOR	PROFUNDIDAD EN METROS													PRESIÓN MÍNIMA	POS. DE INYECTOR
		1.5	3.0	4.6	6.1	7.6	6.1	9.1	12.2	15.2	18.3	21.3	24.4	27.4		
		CAPACIDAD EN LITROS POR MINUTO A PRESIÓN DE DESCARGA DE 30 PSI						INSTALACIÓN CON UNA TUBERÍA DOBLE PARA POZO PROFUNDO								
1/2	PPP	41	36	30	25	18	--	--	--	--	--	--	--	--	n/a	Montado en la bomba
	PP (M)	--	--	--	--	--	43	36	29	--	--	--	--	25	13.7 m	
	PP	--	--	--	--	--	35	31	26	22	19	16	13	10	25	22.8 m
3/4	PPP	67	57	47	37	28	--	--	--	--	--	--	--	n/a	Montado en la bomba	
	PP (M)	--	--	--	--	--	56	47	37	--	--	--	--	25	13.7 m	
	PP	--	--	--	--	--	37	34	27	23	20	17	13	11	25	22.8 m
1	PPP	75	64	53	45	33	--	--	--	--	--	--	--	n/a	Montado en la bomba	
	PP (M)	--	--	--	--	--	61	51	42	--	--	--	--	25	13.7 m	
	PP	--	--	--	--	--	40	35	30	27	23	20	17	13	25	22.8 m

PPP - Pozo Poco Profundo      PP(M) - Pozo Profundo (o Mediano)      PP - Pozo Profundo

cumplir con el Código Eléctrico Nacional (NEC) y con cualquier código y ordenanza local. Contrate los servicios de un electricista con licencia.

**⚠️ AVISO - RIESGO DE DESCARGA ELÉCTRICA**

- e) Cableado: Un electricista debería hacer el cableado y conectar el servicio eléctrico a la bomba. El interruptor de presión es cableado al motor en la fábrica y el voltaje al cual ha sido cableada la bomba está indicado en un rótulo en la parte posterior del motor. Asegúrese que el motor esté cableado para el mismo voltaje que el suministro eléctrico. Vea en la placa de la marca del motor o interior de la cubierta del terminal las instrucciones de cambio de voltaje. La línea de energía debe conectarse a los terminales del interruptor de presión marcados con "Line" o "Línea" (Fig. 2). Se recomienda que se derive un circuito independiente del tablero de distribución a la bomba. Debe usarse un circuito con protección de falla de conexión a tierra (GFI) para todos los aparatos eléctricos que operen cerca del agua. Instale un interruptor adecuado activado por fusible en la línea y asegúrese que el cableado sea del tamaño adecuado y esté propiamente aislado. Un cable de un menor tamaño entre el motor y la fuente de energía limitará adversamente la capacidad de arranque y de carga del motor. Se recomienda los diámetros mínimos para los cables de extensión del motor (Ver Tabla 2). Para seguridad adicional, la bomba y el motor deben estar conectados a tierra en el casco del pozo, si es de metal, o a tierra en el panel de distribución.
- f) Medidor de Presión: Si la bomba viene con un indicador de presión, o si usted desea instalar uno, éste se debe instalar en el agujero de 1/4 pulg. NPT en la parte frontal del cuerpo de la bomba, junto a la abertura de descarga.
- g) Control de Volumen de Aire: Si se utiliza un tanque sin diafragma en el sistema de presión, se debe usar un control de volumen de aire para mantener un colchón de aire en el tanque de presión. Si no, el aire en el tanque será gradualmente absorbido por el agua, haciendo que el tanque se sature y la bomba haga un corto ciclo, reduciendo significativamente la vida del motor. Un control de volumen de aire proporcionará la combinación correcta de aire y agua, y prevendrá así la saturación por agua. Vea las instrucciones en el manual del tanque de presión.
- h) Válvula de Alivio de Presión: Se recomienda se instale una válvula de seguridad de desfogue de presión en algún punto en el sistema de agua. Asegúrese que su ubicación sea cerca de la descarga de la bomba, en un área con drenaje adecuado. Asegúrese de dirigir la válvula de tal manera que cualquier descarga de agua no moje los dispositivos eléctricos.

**OPERACIÓN**

**⚠️ AVISO: NO OPERAR LA BOMBA ANTES DE CARGARLA, EL SELLO Y EL PROPULSOR PODRÍAN DAÑARSE PERMANENTEMENTE.**

**CARGADO:**

Nota: Usted necesitará suficiente agua para llenar la línea(s) de succión y el cuerpo de la bomba. El tiempo de cargado depende de la distancia entre la fuente de agua y la bomba (de 5 a 15 min.).

**Usando una válvula de chequeo en la línea:**

1. Abra la válvula de descarga en la línea de servicio y un grifo cercano para controlar el flujo de agua.
2. Abra completamente la válvula de control (con rotación en contra de las manecillas del reloj).
3. Vierta agua limpia dentro de la bomba por el agujero en la parte superior del cuerpo de la misma hasta que el agua comience a rebalsarse.
4. Coloque el tapón adjunto de cargado.
5. Encienda la bomba. Si hay un grifo visible, usted verá una descarga corta de agua, lo cual puede durar de 5 a 10 segundos.
6. Haga funcionar la bomba por 2 minutos y luego apáguela. Saque el tapón de cargado.
7. Usted ha completado el primer ciclo de cargado, que consiste en los pasos del 3 al 6. Este proceso se tendrá que repetir de 2 a 6 veces, dependiendo del largo de su línea de succión (aproximadamente un ciclo de cargado por cada 5 pies de línea de succión). Usted sabrá cuándo parar porque la bomba comenzará a bombear agua continuamente.
8. Una vez que la bomba comience a bombear agua continuamente, ajuste firmemente el tapón de cargado con una herramienta.
9. Ajuste la válvula de control (en el mismo sentido que las manecillas del reloj), para que el flujo y la presión sean estables. (véase las instrucciones de instalación con tubería doble)
10. Si la bomba no saca agua en 8 intentos, apáguela y revise que no haya fugas de succión.

**Usando una válvula de pie:**

**INSTALACIÓN DE UNA SOLA TUBERÍA**

11. Llene la tubería de succión con agua antes de conectarla a la bomba. Usted necesitará aproximadamente un litro de agua por cada 3 pies de línea de succión.  
Nota: Si usted no puede llenar la línea de succión, por favor siga las instrucciones a continuación para una válvula de chequeo en la línea.
12. Siga los pasos del 1 al 5. Si dentro de 2 minutos no se bombea agua continuamente, apague la bomba. Saque el tapón de cargado. Repita los pasos del 3 al 5. Si esto no da resultados, apague la bomba y revise que no haya fugas en la línea de succión.

Fig. 2 Conexiones Eléctricas

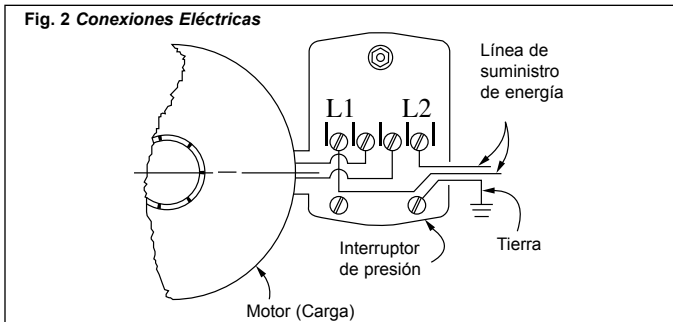


TABLA 2 LONGITUD MÁXIMA DEL CABLE (PIES)

HP	MOTOR Volt	CALIBRE DEL ALAMBRE (AWG)				
		0-25 pies	50 pies	100 pies	150 pies	200 pies
1/2	115	14	14	12	10	8
	230	14	14	14	14	14
3/4	115	14	14	10	8	8
	230	14	14	14	14	12
1	115	14	12	10	8	6
	230	14	14	14	14	12

Basada en una baja de voltaje aproximada de 3%.

13. Una vez que la bomba comience a bombear agua continuamente, ajuste firmemente el tapón de cargado con una herramienta.

### INSTALACIÓN CON TUBERÍA DOBLE

(Para pozos profundos): Cómo cargar y calibrar la válvula de control de descarga. Siga los procedimientos de la instalación de una sola tubería. Cierre la válvula de control siguiendo el mismo procedimiento que para pozos poco profundos. Si la bomba está cargada adecuadamente, la presión aumentará inmediatamente. Abra lentamente el control de la válvula (aproximadamente de 1 a 2-1/2 vueltas) hasta que la bomba rinda la capacidad máxima como se vea desde el grifo abierto más cercano a la bomba. Continúe ajustando el control de la bomba a la vez que observa el indicador de presión mientras la bomba bombea, de tal manera que el indicador de presión marque aproximadamente 25 psi. y el flujo y la presión estén estables.

### DRENAJE:

Si la unidad está expuesta a temperaturas congelantes, será necesario drenar la bomba y el tanque. Para hacer ésto, apague el suministro de energía a la bomba en el panel eléctrico principal. Abra una llave en el sistema de agua para aliviar la presión. Quite los tapones de drenaje y carga del casco de la bomba. Quite el tapón de drenaje del tanque de presión (si está provisto con uno). ¡Deje pasar suficiente tiempo para que el sistema se drene por completo antes de volver a colocar los tapones!

### MANTENIMIENTO

**⚠ AVISO - RIESGO DE DESCARGA ELÉCTRICA:** Antes de darle servicio a equipos operados por motor, corte el suministro eléctrico en el panel eléctrico principal y desconecte el suministro eléctrico al motor y accesorios. Utilice prácticas de trabajo seguras al darle servicio al equipo.

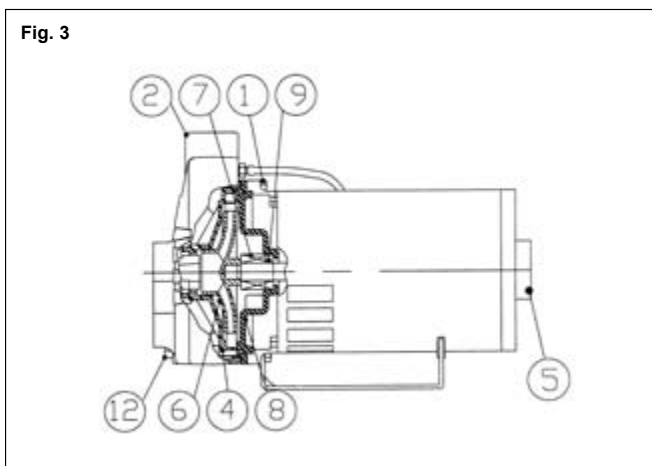
- Lubricación: La bomba no requiere lubricación. Vea en el manual del fabricante del motor las instrucciones.
- Reemplazo del sello mecánico: (Ver Fig. 3)  
Solamente personas debidamente calificadas deben efectuar el mantenimiento de dispositivos eléctricos y/o mecánicos.

### Desensamblaje:

- Corte el suministro de energía a la bomba, en el panel principal de servicio.
- Para aliviar la presión, abra una llave que deje salir agua del sistema.
- Quite los tapones de drenaje (12) y de carga para permitir que la bomba se drene.
- Desconecte la tubería que va al interruptor de presión.
- Quite los 4 pernos (1) y quite el casco (2).
- Para sacar el difusor (4) del casco, palanquee usando 2 entornilladores ranurados para obtener equilibrio.
- Quite la tapa (5) e inserte un entornillador para evitar que el eje gire mientras se desatornilla el impulsor (6) (motores General Electric). Para motores A.O. Smith, quite la cubierta posterior y sujete el eje con una llave plana insertada por el costado a través del orificio en la parte posterior del casco. Si no se puede girar el impulsor a mano, inserte un objeto plano entre las paletas del propulsor.
- Deslice el sello rotativo (7) sacándolo del eje y quite la placa del sello (8).
- Quite el asiento del sello cerámico (9) de la placa del sello.

### Reensamblaje:

- Limpie completamente todas las partes antes de ensamblar.
- Lubrique ligeramente (con agua jabonosa) la tapa de caucho en el sello de cerámica (9) y empújelo en la plancha selladora con sus dedos pulgares solamente. Asegúrese que la superficie lisa esté mirando hacia el exterior.  
NOTA: Si la bomba va a estar fuera de servicio por más de una semana, entonces los componentes del sello se deben instalar secos (sin lubricación).
- Vuelva a instalar la placa del sello en el motor.
- Lubrique el sello rotativo (7) (con agua jabonosa) y deslícelo en el eje, con el anillo de "carbón" mirando hacia el asiento de cerámica.
- Vuelva a instalar el impulsor (6) y el difusor (4).



- Vuelva a poner el casco (2) asegurándose que la junta no esté dañada y que esté en su lugar.
- Vuelva a conectar los tubos al casco y al interruptor de presión.
- Vuelva a conectar la electricidad.
- Cargue la bomba, enciéndala, revise si hay fugas.

### GUÍA PARA DETECTAR PROBLEMAS

- El motor no arranca:
  - No llega electricidad al interruptor de presión debido a fusibles quemados, interruptores abiertos o conexiones sueltas.
  - Interruptor de presión de la bomba abierto.
- La bomba no bombea agua:
  - La bomba no ha sido completamente cargada.
  - La columna de succión es muy alta.
  - La válvula de pie no está sumergida, está enterrada en barro o atorada.
  - La válvula reductora está completamente cerrada.
- La bomba se descarga:
  - Fuga de aire en la línea de succión.
  - El nivel de agua del pozo baja demasiado y se requiere un tubo de escape.
  - Válvula de pie defectuosa.
- La cantidad de agua que descarga la bomba es menor que la capacidad indicada:
  - Fugas en la línea de succión o de descarga.
  - La válvula de pie, tubería de succión, propulsor o boquilla se encuentran parcialmente atoradas.
  - La columna de succión es mayor que lo recomendado.
  - Regulación inapropiada de la válvula de control en unidades para pozos profundos.
  - Baja velocidad del impulsor o rotación incorrecta.
  - El cableado del motor es inapropiado para el voltaje.
  - Bajo voltaje en la línea del motor.
- La bomba arranca y para muy seguido:
  - Fuga de aire por encima de la línea de agua en el tanque.
  - Posición incorrecta del interruptor de presión.
  - El tanque tiene demasiada agua o está cargado incorrectamente.
  - La válvula de pie tiene fugas o se ha atracado en la posición de abierto.

### TABLA 3 - TABLA DE PÉRDIDA DE PRESIÓN PARA TUBERÍA DE PLÁSTICO:

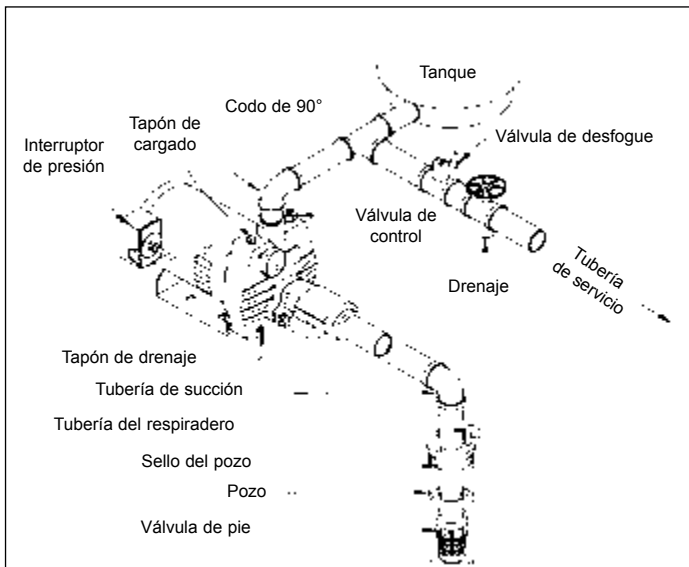
Para tuberías galvanizadas duplique las cifras anteriores.  
Pérdida de Presión en pies, debido a Fricción por Cada 100 Pies de Tubería

Diámetro Nominal de Tubería Gal. Amer. / Min.	3/4pulg	1pulg	1 1/4pulg	1 1/2pulg	2pulg
4	3.74	1.15	0.30	0.14	—
5	5.66	1.75	0.46	0.22	—
6	7.95	2.45	0.65	0.31	—
7	10.60	3.25	0.86	0.41	—
8	13.50	4.16	1.10	0.52	—
9	16.80	5.17	1.35	0.65	—
10	20.40	6.31	1.67	0.79	0.23
11	24.40	7.58	1.98	0.95	0.27
12	28.60	8.85	2.33	1.10	0.32
14	38.00	11.80	3.10	1.46	0.43
16	48.60	15.10	3.96	1.87	0.55
18	60.50	18.70	4.93	2.33	0.69
20	73.50	22.80	6.00	2.83	0.84

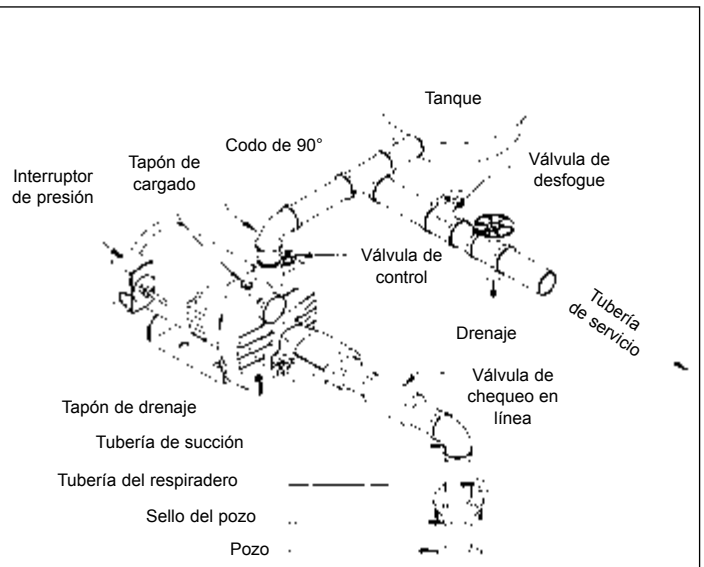
Pérdida de Presión en Metros, debido a Fricción por Cada 100 m de Tubería

Diámetro Nominal de Tubería L / minuto	20mm	25mm	32mm	40mm	50mm
15	3.70	1.15	0.30	0.13	—
20	5.33	1.64	0.43	0.19	—
25	7.14	2.18	0.56	0.27	—
30	13.50	4.13	1.08	0.49	—
35	16.30	5.00	1.31	0.61	—
40	23.50	7.30	1.90	0.88	0.25
45	28.30	8.74	2.31	1.07	0.29
50	34.20	10.60	2.79	1.32	0.38
55	40.70	12.60	3.32	1.56	0.46
60	48.10	14.90	3.92	1.85	0.54
65	55.70	17.30	4.54	2.15	0.63
70	63.80	19.70	5.20	2.46	0.73
75	72.20	22.40	5.89	2.78	0.83

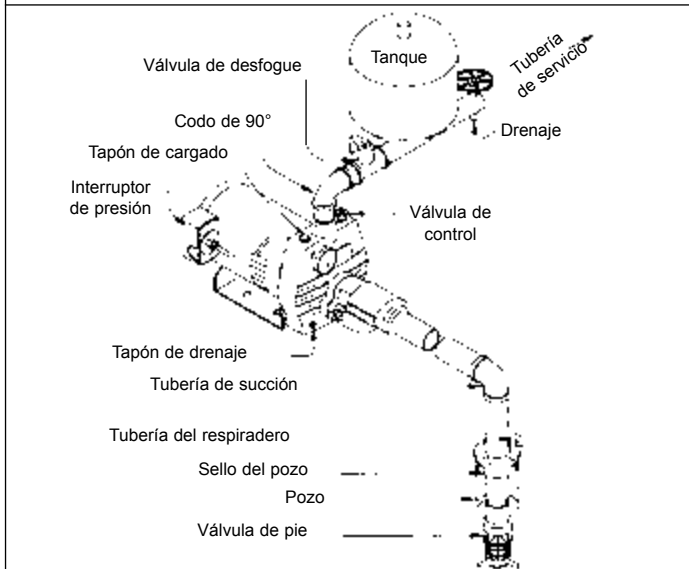
## INSTALACIONES TÍPICAS



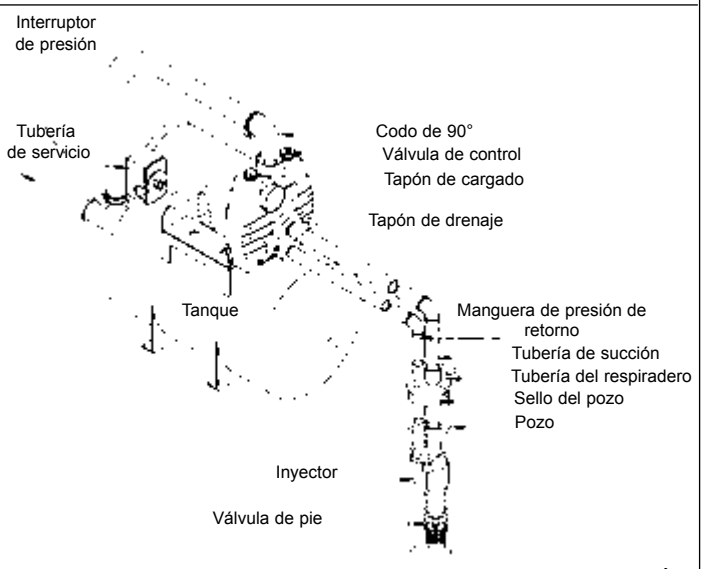
**Fig. 4a POZO POCO PROFUNDO (CON VÁLVULA DE PIE)**



**Fig. 4b POZO POCO PROFUNDO (CON VÁLVULA DE CHEQUEO EN LÍNEA)**



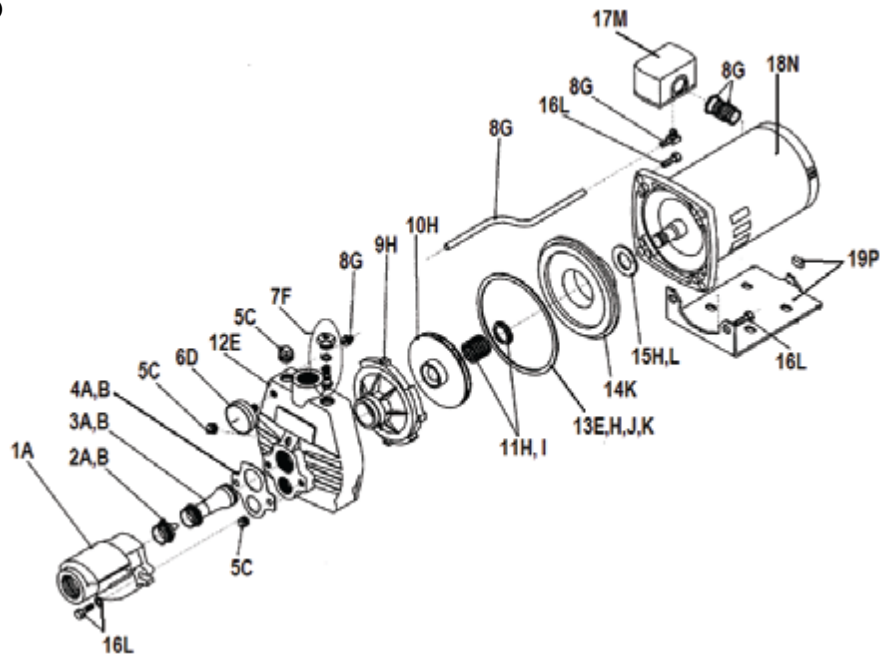
**Fig. 4c POZO POCO PROFUNDO - TANQUE EN LA LÍNEA (CON VÁLVULA DE PIE)**



**Fig. 4d POZO PROFUNDO - SISTEMA MONTADO EN EL TANQUE (INSTALACIÓN CON TUBERÍA DOBLE CON VÁLVULA DE PIE)**



## PIEZAS DE REPUESTO



Número	Descripción	Identificador del grupo del kit	Códigos de pedido para piezas de repuesto por número de modelo		
			1/2 hp	3/4 hp	1 hp
1	Cuerpo del inyector	A	305446946	305446947	
2	Boquilla	B	305446948	305446949	
3	Tubo Venturi	A	305446946	305446947	
4	Empaquetadura, inyector	B	305446948	305446949	
5	Kit de tapones	C	305446953		
6	Medidor de presión	D	305446935		
7	Ensamble de la válvula	F	305446951		
8	Juego de conexión del interruptor	G	305446936		
9	Difusor	H	305446941	305446942	
10	Impulsor				
11	Sello mecánico	I	106196221		
12	Funda	E	305446950		
13	Empaquetadura	H	305446941	305446942	
		J	305446945		
		K	305446943		
14	Placa de sello				
15	Lubricador	H	305446941	305446942	
16	Kit de sujetadores*	L	305446952		
17	Interruptor de presión	M	305446944		
18	Motor	N	305446955	305446956	305446957
19	Ensamble de la base	P	305446960		

Los elementos con identificadores iguales se venden/empacan juntos

El kit de sujetadores (16L) es un juego completo de las piezas utilizadas para ensamblar la bomba. Con fines prácticos, los kits de reparación A, B, E, H y K contienen los sujetadores necesarios para volver a armar sus componentes.

# GARANTÍA LIMITADA\*

## LA PRESENTE GARANTÍA ESTABLECE LA OBLIGACIÓN EXCLUSIVA DE LA EMPRESA Y LA SOLUCIÓN EXCLUSIVA DEL COMPRADOR ANTE UN PRODUCTO DEFECTUOSO.

Franklin Electric Company, Inc. y sus filiales (de aquí en adelante, "la Empresa") garantizan los productos que acompañan esta garantía contra defectos de material o mano de obra de la Empresa.

La Empresa tiene el derecho de inspeccionar cualquier producto devuelto en garantía para confirmar que dicho producto tiene un defecto de material o mano de obra. La Empresa tiene el derecho exclusivo de elegir si desea reparar o reemplazar los equipos, las piezas o los componentes defectuosos.

El comprador debe devolver el producto al lugar de compra para que se considere su garantía. Con sujeción a los términos y condiciones enumerados a continuación, la Empresa reparará o reemplazará al comprador cualquier parte de este producto que resulte defectuosa como consecuencia del material o la mano de obra de la Empresa.

La Empresa considerará los productos para su garantía durante 12 meses a partir de la fecha de instalación o durante 24 meses a partir de la fecha de fabricación, lo que suceda primero.

EN NINGÚN CASO la Empresa se responsabilizará por el costo de mano de obra ni por otros costos en los que haya incurrido un cliente al sacar y/o colocar un producto, pieza o componente.

La Empresa se reserva el derecho de cambiar o mejorar sus productos o cualquiera de sus partes sin verse obligada a ofrecer dicho cambio o mejora a productos vendidos anteriormente.

ESTA GARANTÍA NO SE APLICA A los productos dañados por casos de fuerza mayor, como rayos, desgaste y rotura normales, servicios de mantenimiento normales y las piezas utilizadas en conexión con dichos servicios, ni otras condiciones que excedan el control de la Empresa.

Cualquiera de las condiciones expuestas a continuación INVALIDARÁ INMEDIATAMENTE ESTA GARANTÍA:

1. El producto se utiliza para fines que no son para los que fue diseñado y fabricado;
2. El producto no se instaló de conformidad con los códigos, ordenanzas y prácticas comerciales aceptadas aplicables;
3. El producto no fue instalado por un contratista certificado por Franklin; o
4. El producto se dañó como consecuencia de descuido, abuso, accidente, uso indebido, manipulación, alteración, instalación impropia, operación, mantenimiento o almacenamiento, o por superar los valores máximos recomendados establecidos en las instrucciones del producto.

TANTO EL VENDEDOR COMO LA EMPRESA NO SE RESPONSABILIZARÁN POR NINGUNA LESIÓN, PÉRDIDA O DAÑO, DIRECTO, ACCIDENTAL O CONSECUENTE (INCLUIDOS, ENTRE OTROS, DAÑOS ACCIDENTALES O CONSECUENTES POR GANANCIAS PERDIDAS, VENTAS PERDIDAS, LESIONES PERSONALES O DAÑOS MATERIALES, O CUALQUIER OTRA PÉRDIDA ACCIDENTAL O CONSECUENTE) QUE SURJA DEL USO O LA INCAPACIDAD DE USO DEL PRODUCTO, Y EL COMPRADOR ACEPTA QUE NO HABRÁ OTRA SOLUCIÓN PARA ELLO.

LA GARANTÍA Y SOLUCIÓN DESCRITAS EN ESTA GARANTÍA LIMITADA CONSTITUYEN UNA GARANTÍA Y SOLUCIÓN EXCLUSIVAS, Y SUSTITUYEN CUALQUIER OTRA GARANTÍA O SOLUCIÓN, EXPLÍCITA O IMPLÍCITA, QUE OTRAS GARANTÍAS Y SOLUCIONES QUEDAN EXPLÍCITAMENTE EXCLUIDAS, INCLUIDAS, A MODO DE EJEMPLO, CUALQUIER GARANTÍA IMPLÍCITA DE MERCANTIBILIDAD O ADECUACIÓN PARA UNA FINALIDAD ESPECÍFICA, AL PUNTO EN QUE CUALQUIERA SE APLICA A UN PRODUCTO, TENDRÁ UNA DURACIÓN LIMITADA A LOS PERIODOS DE LAS GARANTÍAS EXPLÍCITAS QUE SE MENCIONARON ANTERIORMENTE.

DESCARGO DE RESPONSABILIDAD: Todas las afirmaciones verbales acerca del producto realizadas por el vendedor, la Empresa, los representantes o cualquier otra parte no constituyen garantías, no deben ser tenidas en cuenta por el comprador y no forman parte del contrato de compraventa. La única obligación del comprador y de la Empresa, y la única solución del comprador, será el reemplazo y/o la reparación del producto por parte de la Empresa, tal como se describe anteriormente. Antes de usar el producto, el usuario debe determinar si éste es adecuado para el uso que se le desea dar, y el usuario asume todo riesgo y responsabilidad en conexión con dicho uso.

Algunos estados y países no permiten la exclusión o limitación de la duración de garantías implícitas, o la exclusión o limitación por daños accidentales o consecuentes; por eso, la exclusión o limitación anterior puede no aplicarse en este caso. Esta garantía le otorga derechos legales específicos, y usted también puede tener otros derechos que varíen según el estado o el país.

\*Contacte la División de Exportación de Franklin Electric Co., Inc. para informarse sobre Garantía Internacional.



**Franklin Electric**

400 E. Spring St, Bluffton, IN 46714

Tel: 260-824-2900 Fax: 260-824-2909

www.franklin-electric.com



