

## 6EC SERIES - 1/3 HP

### APPLICATIONS

Basement sumps, dewatering, water transfer, light effluent

### FEATURES

- Heavy-duty cast iron construction
- Permanent split capacitor (PSC) motor with thermal overload protection
- Designed for continuous duty
- Energy-saving low amp draw
- 1-1/2" FNPT discharge (38 mm)
- Handles up to 1/2" (12.7 mm) solids
- Multiple switch options for automatic operation
- 140 °F (60 °C) liquid temperature rating
- cCSAus listed



### SERIES SPECIFICATIONS

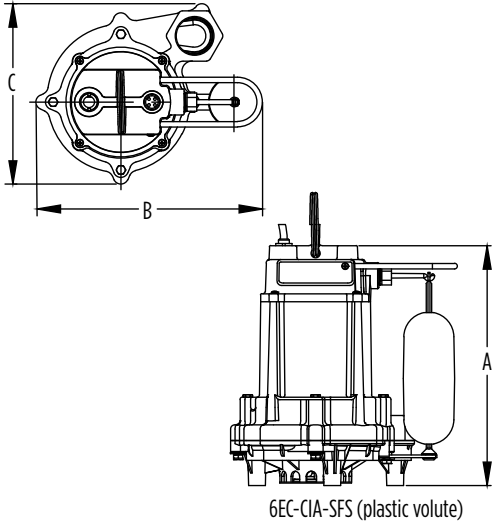
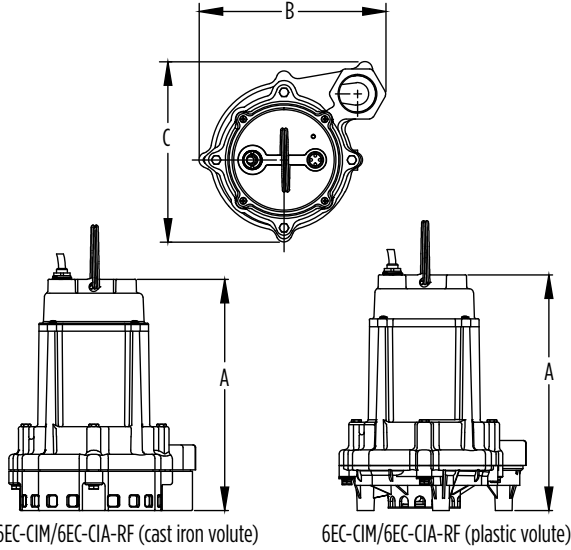
Volts	Hz	Amps	Watts	Performance (GPM @ Height in Feet)				Shut-Off (ft)	PSI
				5'	10'	15'	20'		
115	60	5	600	53	50	42	34	28	12.1

Item	Model	HP	Volts	Base Material	Switch Type/ Operations	On Level	Off Level	Cord	Weight
506803	6EC-CIA-RF	1/3	115	Polypropylene	Piggyback Mechanical Float	13" - 15" (33.2 cm - 38.1 cm)	6" - 8" (15.2 cm - 20.3 cm)	10' (3 m)	27.5 lbs (12.5 Kg)
506858	6EC-CIA-RF	1/3	115	Cast Iron	Piggyback Mechanical Float	13" - 15" (33.2 cm - 38.1 cm)	6" - 8" (15.2 cm - 20.3 cm)	20' (6.1 m)	35.5 lbs (16.1 Kg)
506807	6EC-CIA-SFS	1/3	115	Polypropylene	Integral Snap-Action Float	8" - 11" (20.3 cm - 27.9 cm)	2" - 5" (5.1 cm - 12.7 cm)	10' (3 m)	28 lbs (12.7 Kg)
506804	6EC-CIA-SFS	1/3	115	Polypropylene	Integral Snap-Action Float	8" - 11" (20.3 cm - 27.9 cm)	2" - 5" (5.1 cm - 12.7 cm)	20' (6.1 m)	29 lbs (13.5 Kg)
506851	6EC-CIM	1/3	115	Cast Iron	Manual	—	—	10' (3 m)	32.5 lbs (14.7 Kg)
506801	6EC-CIM	1/3	115	Polypropylene	Manual	—	—	10' (3 m)	26.5 lbs (12 Kg)
506802	6EC-CIM	1/3	115	Polypropylene	Manual	—	—	20' (6.1 m)	27.5 lbs (12.5 Kg)

# SUMP PUMPS

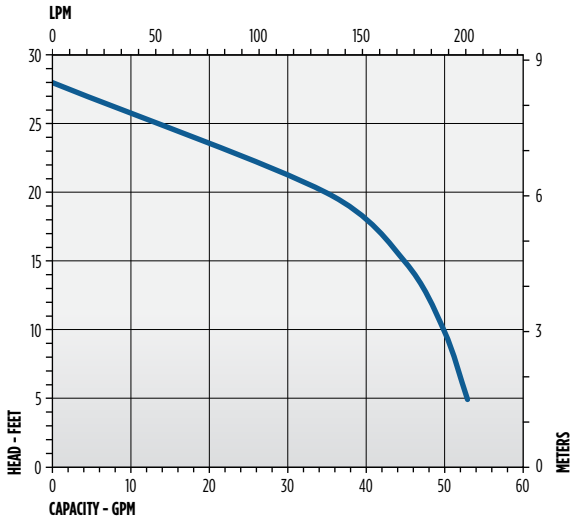
## 6EC SERIES - 1/3 HP

### ENGINEERING DATA



Model	Base	A	B	C
6EC-CIA-SFS	Polypropylene	11.28" (286.5 mm)	10.66" (270.8 mm)	8.48" (215.5 mm)
6EC-CIA-RF	Polypropylene	11.08" (281.5 mm)	8.79" (223.4 mm)	8.48" (215.5 mm)
	Cast Iron	10.9" (276.2 mm)	8.79" (223.4 mm)	8.48" (215.5 mm)
6EC-CIM	Polypropylene	11.08" (281.5 mm)	8.79" (223.4 mm)	8.48" (215.5 mm)
	Cast Iron	10.9" (276.2 mm)	8.79" (223.4 mm)	8.48" (215.5 mm)

### PERFORMANCE DATA



### CONSTRUCTION

<b>Cover</b>	Epoxy-coated cast iron
<b>Motor Housing</b>	Epoxy-coated cast iron
<b>Impeller Material</b>	Nylon
<b>Volute</b>	Epoxy-coated cast iron
<b>Mechanical Shaft Seal</b>	Nitrile with carbon and ceramic faces
<b>Fasteners</b>	Stainless steel
<b>Shaft</b>	Cold-rolled steel
<b>Bearings</b>	Upper and lower ball bearings
<b>Power Cord</b>	SJTW