

5-Series Submersible Pumps

This submersible, multi-purpose pump is designed for clearwater transfer applications and household water removal.

This pump series is available in manual and automatic models. The manual pump can be converted to operate in automatic mode by installing a separate liquid level control. The pump motor is equipped with an automatic resetting thermal protector and may restart unexpectedly. Thermal Protector tripping indicates motor overloading or overheating.

This product is covered by a Limited Warranty for a period of 1 year from the date of original purchase by the consumer. For complete warranty information, refer to www.LittleGiant.com.



Specifications

Voltage	HP	PSI	Hz	Watts	Amps (FLA)	Breaker Amps
115	1/6	11.4	60	220	2.0	15
230					1.0	10

Flow Rates

Gallons/Liters per Hour at Height (Head)					Shut Off ft (m)
1 ft (0.3 m)	3 ft (0.9 m)	5 ft (1.5 m)	10 ft (3 m)	20 ft (6 m)	
1500 / 5678	1464 / 5542	1395 / 5281	1191 / 4508	528 / 1999	26.3 (8)

SAFETY INSTRUCTIONS

This equipment should be installed and serviced by technically qualified personnel who are familiar with the correct selection and use of appropriate tools, equipment, and procedures. Failure to comply with national and local electrical and plumbing codes and within Little Giant recommendations may result in electrical shock or fire hazard, unsatisfactory performance, or equipment failure.

Know the product's application, limitations, and potential hazards. Read and follow instructions carefully to avoid injury and property damage. Do not disassemble or repair unit unless described in this manual.

Refer to product data plate(s) for additional precautions, operating instructions and specifications.

Failure to follow installation or operation procedures and all applicable codes may result in the following hazards:

DANGER



Risk of death, personal injury, or property damage due to explosion, fire, or electric shock.

- Do not use to pump flammable, combustible, or explosive fluids such as gasoline, fuel oil, kerosene, etc.
- Do not use in explosive atmospheres or hazardous locations as classified by the NEC, ANSI/NFPA70.
- Do not handle a pump or pump motor with wet hands or when standing on a wet or damp surface, or in water.
- When a pump is in its application, do not touch the motor, pipes, or water until the unit is unplugged or electrically disconnected.
- If the power disconnect is out of sight, lock it in the open position and tag it to prevent unexpected application of power.

SAFETY INSTRUCTIONS

Flow Rates

⚠ WARNING



High voltages capable of causing severe injury or death by electrical shock are present in this unit.

- To reduce risk of electrical shock, disconnect power before working on or around the system. More than one disconnect switch may be required to de-energize the equipment before servicing.
- Be certain that this pump is connected to a circuit equipped with a ground fault circuit interrupter (GFCI) device if required by code.
- Some pumps are supplied with a grounding conductor and grounding-type attachment plug. To reduce risk of electric shock, be certain that it is connected only to a properly grounded grounding-type receptacle. Do not remove the third prong from the plug.
- Some pumps are supplied with lead wires and are intended to be hardwired using a junction box or other approved enclosure. This type of pump includes a grounding connector. To reduce risk of electric shock, be certain that it is properly connected to ground.
- Be sure the electrical connection cannot be reached by rising water. Under no circumstances should the junction box be located where it may become flooded or submerged by water.
- Check electrical outlets with a circuit analyzer to ensure power, neutral, and ground wires are properly connected. If not, a qualified, licensed electrician should correct the problem.
- Wire pump system for correct voltages.
- Do not use the power cord for lifting the pump.
- Do not use an extension cord.

⚠ CAUTION



Risk of bodily injury, electric shock, or equipment damage.

- This equipment must not be used by children or persons with reduced physical, sensory or mental abilities, or lacking in experience and expertise, unless supervised or instructed. Children may not use the equipment, nor may they play with the unit or in the immediate vicinity.
- Equipment can start automatically. Always unplug the pump power cord and disconnect the electrical power before servicing the pump or switch.
- An inoperative or malfunctioning pump could lead to flooding, resulting in personal injury or property damage.
- In applications where property damage and/or personal injury might result from an inoperative or leaking pump due to power outages, discharge line blockage, or any other reason, an automatic back-up system and/or an alarm should be installed.
- Do not run the pump dry. If run dry, the surface temperature of the pump will rise to a high temperature that could cause skin burns if touched, and will cause serious damage to the pump.
- Do not oil the motor. This unit is permanently lubricated. Oiling is not required. The pump's motor housing is sealed. Do not open the sealed portion of the unit or remove housing screws. Opening the motor housing could cause serious electric shock and/or permanent damage to the pump.
- The pump has been evaluated for use with water only. Pump should only be used with liquids compatible with pump component materials. If the pump is used with liquids incompatible with the pump components, the liquid can cause failure to the electrical insulation system resulting in electrical shock.
- Operation of this equipment requires detailed installation and operation instructions provided in this manual for use with this product. Read entire manual before starting installation and operation. End User should receive and retain manual for future use.
- Keep safety labels clean and in good condition.
- If an accessory float switch or other liquid level control is installed, refer to manufacturer's instructions. Failure to install control in compliance with national and local electrical and plumbing codes and within manufacturer's recommendations may result in electrical shock or fire hazard, unsatisfactory performance, or equipment failure.
- Pumping sand or other abrasives can damage the pump and void the warranty.

NOTICE

Risk of damage to pump or other equipment.

- Do not use this pump for pumping sea water, beverages, acids, chemical solutions, or any other liquid that promotes corrosion as this can result in damage to the pump.
- Do not run pump dry. For optimal cooling and to prolong the motor life, the liquid level being pumped should normally be above the top of the pump housing.
- This pump is not suitable for pond applications.
- Warranty is void if the motor housing cover or power cord have been removed.

INSTALLATION

Physical Installation

IMPORTANT: Do not plug in the pump until all plumbing connections are complete and pump is secure.

1. Connect a garden hose using the 3/4 inch garden hose adapter or connect 1 inch MNPT threaded pipe or hose directly to the 1 inch FNPT discharge port.
 - If using the 3/4 inch garden hose adapter, performance will be reduced by approximately 15%.
 - If flexible vinyl tubing is used, a clamp can be used on the tubing to restrict the flow.
2. Place the pump vertically on a flat, solid surface in the water to be removed.
 - The water should be at least 3/4 inch deep.
 - The pump should be totally submerged for proper cooling when operated for extended periods.
 - Never place the pump directly on clay, earth, or gravel surfaces.
3. Position the free end of the hose or pipe where the water is to be relocated.
4. For water containing high mineral content (hard water) or metals, use a pump with an attached sacrificial anode to prevent galvanic corrosion.
 - Contact your local distributor for the model SA-1 by Little Giant.

Electrical Connections

Connect the power cord to a constant source of power matching the pump nameplate voltage.

- The pump should be connected or wired to its own circuit, with no other electric receptacles or equipment in the circuit.
- The fuses or circuit breaker should be of ample capacity in the electrical circuit.

NOTE: If a fused-type plug is used on 230 V units, a 5.0 amp fuse is recommended.

Some models are supplied with a stripped wire cord end. Wires are color coded as follows:

- Green/yellow = Ground
- Brown = Line
- Blue = Line (230 V) or Neutral (115 V)

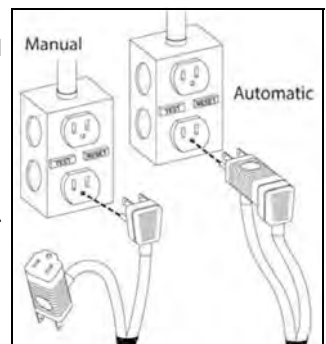
Manual Pump Models

Manual pumps are plugged into a dedicated GFCI receptacle and are controlled by either switching the power or unplugging the cord. Convert to automatic mode by installing a separate liquid level control, according to the manufacturer's instructions.

Automatic Pump Models

The automatic pumps have piggyback plugs on the switch cords.

1. Plug the pump cord into the float switch cord.
2. Plug the float switch cord into the outlet.



OPERATION TESTING

NOTICE

Risk of damage to pump or other equipment.

- Always check the power cord and electric receptacle for damage or corrosion before each use. The power cord on these units cannot be replaced. If damaged, replace the pump.
- Do not let the unit run dry (without liquid). It is designed to be cooled by pumping fluid. The seal may be damaged and the motor may fail if the pump is allowed to run dry.
- Do not let the unit freeze. Freezing may cause cracking or distortion that may destroy the unit.

Testing Manual Pump Operation

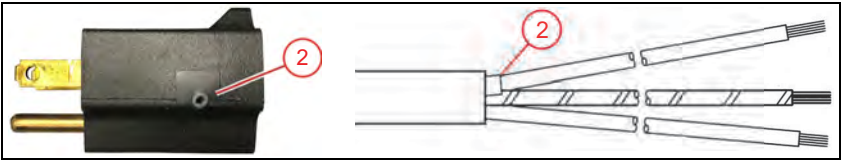
1. Plug the power cord directly into an electrical outlet or switch on power at the junction box.
2. Confirm that the pump is functioning as intended.
 - A pump with screen will remove water within 1/8 inch.
 - A pump without screen will remove water within 1/16 inch.
3. Unplug the unit as soon as the pump stops pumping water or the suction sound changes.
 - If the unit is going to be idle for a period of time, follow the cleaning instructions in [“Periodic Service” on page 5.](#)

Testing Automatic Pump Operation

Some pump models are equipped with a diaphragm switch. For the switch to function properly, it must be vented to the atmosphere through a breather tube routed through the pump’s power cord.

1. Place the pump in an empty test basin.
2. Connect the pump to power with correct voltage. Refer to the pump nameplate.
 - If there is a valve on the discharge line, be sure the it is open.
3. Run water into the basin until the pump is activated. Do not run the pump without water.
4. Ensure the pump and its control switch are functioning as intended.
 - If the pump doesn’t turn on, refer to [“Testing the Diaphragm Switch” on page 5.](#)
5. Confirm that the ON/OFF levels are within specification.
 - A pump with screen will remove water within 1/8 inch. A pump without screen will remove water within 1/16 inch.
6. Allow the pump to operate through several ON/OFF cycles.

Testing the Diaphragm Switch



The suction causes the switch diaphragm to draw inward, activating the switch inside the switch housing. When syringe is released, the diaphragm returns to its original position deactivating the switch inside the switch housing.

NOTE: This test is recommended for bench testing only.

1. Squeeze the bulb of a suction bulb syringe to create suction.
2. Insert the small end of the syringe into the breather tube of the power cord or stripped end of the power cord.
3. Release the bulb to induce suction/vacuum.
4. Listen for the switch to make a click sound.
5. Once the suction/vacuum equalizes, listen for the diaphragm switch to release.



MAINTENANCE

Periodic Service

⚠ WARNING



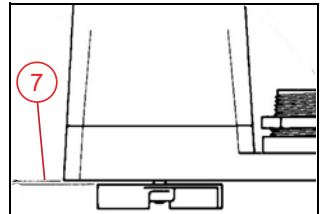
Risk of severe injury or death by electrical shock, high temperatures, or pressurized fluids.

- Always unplug the pump power cord in addition to removing the fuse or shutting off the circuit breaker before working on the pump or switch.
- Let pump cool for a minimum of 2 hours before attempting to service. Submersible pumps can become pressurized and hot under normal operating conditions.

NOTICE

Risk of damage to pump or other equipment.

- Do not remove the motor housing cover.
 - Do not remove the impeller. This action requires special tools and may damage the pump.
1. Disconnect the pump from electric power.
 2. Disconnect the discharge hose from the pump.
 3. Remove the screen by prying in the slots between the screen and the volute.
 4. Remove the screws that hold the volute to the motor housing.
 5. Remove the volute, being careful not to lose the seal ring.
 6. Clean the impeller and the volute passage. Do not use strong solvents on the impeller.
 7. If the impeller is removed, make sure it is spaced 0.05 inches (1.27 mm) when reassembled.
 8. Be sure the impeller turns freely after cleaning.
 9. Replace the seal ring into the volute and secure the volute to the motor housing with screws.
 10. Replace the screen onto the volute.



Troubleshooting

Problem	Probable Causes	Corrective Action
Pump does not turn on	Pump not connected to electrical power	Connect pump to a dedicated circuit equipped with GFCI.
	Circuit breaker off or fuse removed	Turn on circuit breaker or replace fuse.
	Defective motor	Replace pump.
Pump will not shut off	Liquid inflow matches pump capacity	Larger pump required.
Pump runs but does not discharge liquid	Lift too high for pump	Check rated pump performance.
	Inlet to impeller plugged	Pull pump and clean.
Pump does not deliver rated capacity	Lift too high for pump	Check rated pump performance.
	Low voltage, speed too slow	Check that supply voltage matches the nameplate rating.
	Impeller or discharge pipe is clogged	Pull pump and clean. Check pipe for scale or corrosion.
	Impeller wear due to abrasives	Replace pump.

Replacement Parts

Part Number	Description
305624001	Bottom Screen Kit
305624002	Parts Kit: screw, impeller, nut, seal, volute, & screen



For technical assistance, parts, or repair, please contact:

800.701.7894 | littlegiant.com

10000005491 Rev. 003 02/22

LittleGIANT[®]

Franklin Electric Co., Inc. | Oklahoma City, OK 73157-2010

Copyright © 2022, Franklin Electric Co., Inc. All rights reserved.

Bombas Sumergibles Serie 5

Esta bomba multiusos sumergible está diseñada para aplicaciones de transferencia de agua limpia y extracción doméstica de agua.

Esta serie de bombas está disponible en modelos manuales y automáticos. La bomba manual se puede convertir para operar en modo automático instalando un control de nivel de líquido separado. El motor de la bomba está equipado con un protector térmico de reinicio automático y puede reiniciarse de manera inesperada. La activación del protector térmico es una indicación de sobrecarga o sobrecalentamiento del motor.

Este producto está cubierto por una garantía limitada por un período de 1 año desde la fecha original de compra por parte del consumidor. Para obtener información completa sobre la garantía, consulte www.LittleGiant.com.



Especificaciones

Voltaje	HP	PSI	H _z	Vatios	Amperios FLA	Amperios del disyuntor
115	1/6	11.4	60	220	2.0	15
230					1.0	10

Tasas de flujo

Litros/Galones por hora					Apagado m (pies)
0.3 m (1 pie)	0.9 m (3 pies)	1.5 m (5 pies)	3 m (10 pies)	6 m (20 pies)	
5678 / 1500	5542 / 1464	5281 / 1395	4508 / 1191	1999 / 528	8 (26.3)

INSTRUCCIONES SOBRE SEGURIDAD

La instalación y el mantenimiento de este equipo deben estar a cargo de personal con capacitación técnica que esté familiarizado con la correcta elección y uso de las herramientas, equipos y procedimientos adecuados. El hecho de no cumplir con los códigos eléctricos y de plomería nacionales y locales y con las recomendaciones de Little Giant puede provocar peligros de descarga eléctrica o incendio, desempeños insatisfactorios o fallas del equipo.

Lea y siga las instrucciones cuidadosamente para evitar lesiones y daños a los bienes. No desarme ni repare la unidad salvo que esté descrito en este manual.

Consulte las placas de características del producto para obtener instrucciones de operación, precauciones y especificaciones adicionales.

El hecho de no seguir los procedimientos de instalación o funcionamiento y todos los códigos aplicables puede ocasionar los siguientes peligros:

PELIGRO



Riesgo de muerte, lesiones personales o daños materiales por explosión, incendio o descarga eléctrica.

- No usar para bombear líquidos inflamables, combustibles o explosivos como gasolina, combustóleo, queroseno, etc.
- No usar en atmósferas explosivas ni lugares peligrosos según la clasificación de la NEC, ANSI/NFPA70.
- No manipule la bomba ni el motor de la bomba con las manos mojadas o parado sobre una superficie mojada o húmeda o en agua.
- Cuando haya una bomba en su aplicación, no toque el motor, las tuberías ni el agua sino hasta haber desenchufado o eléctricamente desconectado la unidad.
- Si la desconexión de alimentación está fuera del sitio, bloquéela en la posición abierta y etiquétela para evitar una conexión inesperada de la alimentación.

⚠️ ADVERTENCIA



Esta unidad tiene voltajes elevados que son capaces de provocar lesiones graves o muerte por descarga eléctrica.

- Para reducir el riesgo de descarga eléctrica, desconecte la energía antes de trabajar en el sistema o cerca de él. Es posible que sea necesario más de un interruptor de desconexión para cortar la energía del equipo antes de realizarle un mantenimiento.
- Asegúrese de que la bomba esté conectada a un circuito que cuente con un interruptor de circuito por falla de conexión a tierra (GFCI, por si sigla en inglés).
- Algunas bombas vienen con un conector de puesta a tierra y un enchufe de seguridad de tipo de conexión a tierra. Para reducir el riesgo de descarga eléctrica, asegúrese de que esté conectado únicamente a un receptáculo de tipo de conexión a tierra conectado a tierra como corresponde. No quite la tercera clavija del enchufe.
- Algunas bombas vienen con cables conductores y están ideadas para que se conviertan en conexiones permanentes mediante una caja de empalmes u otro gabinete aprobado. Este tipo de bomba incluye un conector de puesta a tierra. Para reducir el riesgo de descarga eléctrica, asegúrese de que esté conectado a tierra como corresponde.
- Asegúrese de que el nivel de agua no pueda alcanzar la conexión eléctrica. La caja de empalmes no debe ubicarse bajo ninguna circunstancia en un lugar que pueda inundarse o quedar sumergido.
- Revise los tomacorrientes con un analizador de circuito para garantizar que los cables de alimentación, neutro y a tierra estén conectados correctamente. De lo contrario, un electricista calificado y autorizado deberá rectificar el problema.
- Cablee el sistema de bombeo para los voltajes correctos.
- No use el cable eléctrico para levantar la bomba.
- No use extensiones eléctricas.

⚠️ PRECAUCIÓN



Riesgo de lesiones corporales, descargas eléctricas o daños al equipo.

- Este equipo no deben usarlo niños ni personas con capacidades físicas, sensoriales o mentales reducidas, ni aquellos que carezcan de experiencia y capacitación, salvo que estén bajo supervisión o instrucción. Los niños no podrán usar el equipo ni jugar con la unidad o en las cercanías inmediatas.
- El equipo puede encenderse en forma automática. Siempre desenchufe el cable eléctrico de la bomba y desconecte la alimentación eléctrica antes de realizar el mantenimiento de la bomba o del interruptor.
- Una bomba que no funciona o funciona mal podría provocar una inundación y provocar lesiones personales o daños materiales.
- En aplicaciones donde una bomba no operativa o con fugas podría producir daños materiales o lesiones personales debido a interrupciones en el suministro eléctrico, obstrucciones en la línea de descarga u otros motivos, se debe instalar un sistema de respaldo automático y/o una alarma.
- No haga funcionar vacía la bomba. Si la hace funcionar vacía, la temperatura de la superficie de la bomba aumentará al punto que podría provocar quemaduras si se la toca y le causará serios daños a su bomba.
- No aplique aceite a el motor. Esta unidad es permanentemente lubricada. El engrase no es requerido. El alojamiento de motor de la bomba es sellado. No abra la porción sellada de la unidad o quite tornillos de alojamiento. La apertura del alojamiento de motor podría causar la sacudida eléctrica seria y/o el daño permanente a la bomba.
- La bomba únicamente ha sido evaluada para su uso con agua. La bomba solo se debe utilizar con líquidos compatibles con los materiales que componen la bomba. Si la bomba se utiliza con líquidos incompatibles con los componentes de la bomba, el líquido puede causar fallas en el sistema de aislamiento eléctrico, lo que resulta en una descarga eléctrica.
- La operación de este equipo exige instrucciones detalladas para su instalación y operación que se encuentran en este manual para su uso con este producto. Lea la totalidad del manual antes de comenzar la instalación y la operación. El usuario final debe recibir y conservar el manual para usos futuros.
- Mantenga las etiquetas de seguridad limpias y en buenas condiciones.
- Si se instala un interruptor flotante accesorio u otro tipo de control de nivel del líquido, consulte las instrucciones del fabricante. El hecho de no instalar el dispositivo de control conforme a los códigos eléctricos y de tuberías tanto nacionales como locales y dentro de las recomendaciones del fabricante puede provocar peligros de descarga eléctrica o incendio, desempeños insatisfactorios o fallas del equipo.
- Bombear arena u otros abrasivos puede dañar la bomba e invalidar la garantía.

AVISO

Riesgo de daños a bomba u otros equipos.

- No use esta bomba para bombear agua de mar, bebidas, ácidos, soluciones químicas u otros líquidos que provoquen corrosión, ya que eso puede dañar la bomba.
- No haga funcionar vacía la bomba. Para una refrigeración óptima y prolongar la vida útil del motor, el nivel de líquido que se bombea debería estar comúnmente por encima de la parte superior de la carcasa de la bomba.
- Esta bomba no es apta para aplicaciones en estanques.
- Al retirar la cubierta del soporte del motor o el cable de alimentación se anulará la garantía.

INSTALACIÓN

Instalación física

IMPORTANTE: No enchufe la bomba hasta que todas las conexiones de plomería estén finalizadas y la bomba esté segura.

1. Conecte una manguera de jardín directamente a la descarga de 3/4 pulg o conecte un tubo o manguera roscado MNPT de 1 pulg al adaptador FNPT de 1 pulg incluido.
 - Si usa el adaptador de manguera de jardín de 3/4 pulg, el rendimiento se reducirá en aproximadamente un 15%.
 - Si se usa tubería de vinilo flexible, se puede usar una abrazadera en la tubería para restringir el flujo.
2. Coloque la bomba verticalmente sobre una superficie firme y plano en el agua por remover.
 - El agua debe tener, al menos, 3/4 pulg (19.05 mm) de profundidad.
 - La bomba debe estar completamente sumergida para un enfriamiento adecuado cuando se usa durante períodos prolongados.
 - Nunca coloque la bomba directamente sobre superficies de arcilla, tierra o grava.
3. Coloque el extremo libre de la manguera o tubo donde se desea transferir el agua.
4. Para agua con un alto contenido de minerales (agua dura) o metales, use una bomba con un ánodo de sacrificio adjunto para evitar la "corrosión galvánica".
 - Comuníquese con su distribuidor local para el modelo Little Giant SA-1.

Conexiones eléctricas

Conecte el cable de alimentación a una fuente constante de energía que coincida con el voltaje en la placa de identificación de la bomba.

- La bomba se debe conectar o cablear en su propio circuito sin otras salidas o equipos en la línea de circuito.
- Los fusibles y el disyuntor deben tener una capacidad amplia en el circuito eléctrico.

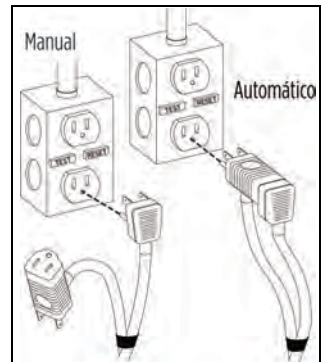
NOTE: Si se utiliza un enchufe con fusible en unidades de 230 V, se recomienda un fusible de 5.0 amperios.

Algunos modelos vienen con un extremo del cable pelado. Los cables de alimentación siguen el siguiente código de colores:

- Verde/amarillo = conexión a tierra
- Marrón = línea
- Azul = línea (230 V) o neutro (115 V)

Modelos de bomba manual

Las bombas manuales se enchufan a un receptáculo GFCI dedicado y se controlan mediante el interruptor de alimentación o desenchufando el cable. Convierta al modo automático instalando un control de nivel del líquido por separado. Instálole conforme a las instrucciones del fabricante.



Modelos de bomba automática

Los modelos con un interruptor flotante, o un interruptor de diafragma remoto, incluyen dos cables de alimentación con un enchufe piggyback en el cable del interruptor.

1. Enchufe el cable de la bomba al cable del interruptor.
2. Enchufe el cable del interruptor (conectado al cable de la bomba) a un tomacorriente GFCI.

OPERACIÓN

AVISO

Riesgo de daños a bomba u otros equipos.

- Siempre revise el cable de alimentación y el receptáculo eléctrico en busca de daños o corrosión antes de cada uso. No se puede reemplazar el cable de alimentación de estas unidades. Si está dañado, reemplace la bomba.
- No permita que la unidad funcione en seco (sin líquido). Está diseñado para ser enfriado por el bombeo de fluido. El sello puede ser objeto de daños y el motor puede fallar si se deja que la bomba funcione de este modo.
- No deje que la unidad se congele. La congelación puede causar agrietamiento o distorsión que puede destruir la unidad.

Pruebas de funcionamiento de la bomba manual

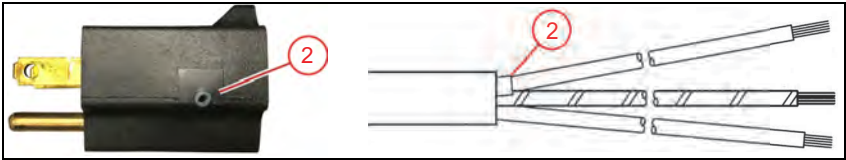
1. Enchufe el cable de alimentación directamente a un toma de corriente o encienda la alimentación en la caja de conexiones.
2. Confirme que la bomba esté funcionando según lo previsto.
 - Una bomba con pantalla elimina el agua dentro de 1/8 pulg. Una bomba sin pantalla eliminará el agua a menos de 1/16 pulg.
3. Desenchufe la unidad tan pronto como la bomba deje de bombear agua o cambie el sonido de succión.
 - Si la unidad estará inactiva por un tiempo, siga las instrucciones de limpieza. Consulte [“Servicio periódico” on page 11](#).

Pruebas de funcionamiento de la bomba automática

Algunos modelos de bombas están equipadas con un interruptor de diafragma. Para que el interruptor funcione correctamente, se ventila a la atmósfera mediante un tubo de respiración que atraviesa el cable de alimentación de la bomba.

1. Coloque la bomba en un recipiente de prueba vacío.
2. Conecte la bomba a una fuente de alimentación con el voltaje correcto. Consulte la placa de identificación de la bomba.
 - Si la línea de descarga tiene una válvula, verifique de que esté abierta.
3. Deje correr el agua hacia el recipiente hasta que la bomba se active. No hacer funcionar la bomba sin agua.
4. Confirme que la bomba y su interruptor de control estén funcionando correctamente sin obstrucciones potenciales.
 - Si la bomba no se enciende, consulte [“Prueba del interruptor de diafragma” on page 11](#).
5. Confirme que los niveles de ENCENDIDO/APAGADO estén dentro de las especificaciones.
 - Una bomba con pantalla elimina el agua dentro de 1/8 pulg. Una bomba sin pantalla eliminará el agua a menos de 1/16 pulg.
6. Deje que la bomba funcione a través de múltiples ciclos de ENCENDIDO/APAGADO.

Prueba del interruptor de diafragma



Esta succión hace que el diafragma del interruptor se absorba hacia dentro, de modo que se active el interruptor ubicado en el interior de la carcasa. Cuando se libera la jeringa, el diafragma vuelve a su posición original desactivando el interruptor ubicado en el interior de la carcasa.

NOTA: Esta prueba se recomienda únicamente para bancos de prueba.

1. Apriete la pera de una jeringa de succión.
2. Introduzca el extremo pequeño en el tubo de respiración del cable de alimentación o el extremo pelado del cable de alimentación.
3. Libere la pera para provocar la succión/el vacío.
4. Escuche que el interruptor haga un clic.
5. Cuando la succión/el vacío se iguale, escuche para verificar que el interruptor de diafragma se libere.



MANTENIMIENTO

Servicio periódico

⚠ ADVERTENCIA



Riesgo de lesiones graves o muerte por descarga eléctrica, temperaturas elevadas o líquidos presurizados.

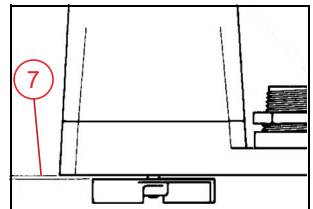
- Siempre desenchufe el cable eléctrico de la bomba y desconecte la alimentación eléctrica antes de realizar el mantenimiento de la bomba o del interruptor.
- Deje que la bomba se enfríe al menos 2 horas antes de intentar realizarle mantenimiento. Las bombas sumergibles pueden hacerse presurizadas y calientes en condiciones de operación normales.

AVISO

Riesgo de daños a bomba u otros equipos.

- No quite la cubierta de la carcasa del motor.
- No quite el impulsor. Esta acción requiere herramientas especiales y puede dañar la bomba.

1. Retire la fuente de alimentación de la bomba.
2. Desconecte el tubo de suministro de la bomba.
3. Retire la pantalla haciendo palanca en las ranuras entre la pantalla y la voluta.
4. Retire los tornillos que sostiene la voluta en la carcasa del motor.
5. Retirar la voluta, teniendo cuidado de no perder el anillo de sellado.
6. Limpie el impulsor y el pasaje de la voluta. No use solventes fuertes en el impulsor.
7. Si se retira el impulsor, asegúrese de que esté espaciado 1.27 mm (0.05 pulg) cuando se vuelva a montar.



MANTENIMIENTO

Solución de problemas

- Luego de la limpieza, asegúrese de que el impulsor gire libremente.
- Reemplace el anillo de sellado en la voluta y asegure la voluta a la carcasa del motor con tornillos.
- Reemplace la pantalla en la voluta.

Solución de problemas

Problema	Causas probables	Acción correctiva
La bomba no se enciende	La bomba no está conectada al suministro eléctrico	Conecte la bomba a un circuito dedicado que esté equipado con GFCI.
	Disyuntor apagado o sin fusible	Encienda el disyuntor o reemplace el fusible.
	Motor defectuoso	Reemplace la bomba.
La bomba no se apaga	El flujo de entrada de líquido coincide con la capacidad de la bomba	Se requiere una bomba más grande.
La bomba funciona pero no descarga líquido	Elevación demasiado alta para la bomba	Revise el desempeño nominal de la bomba.
	Entrada al impulsor obstruido	Quite la bomba y límpiela.
La bomba no cumple con la capacidad nominal	Elevación demasiado alta para la bomba	Revise el desempeño nominal de la bomba.
	Bajo voltaje, velocidad demasiado lenta	Compruebe que el voltaje coincida con la placa de identificación.
	El impulsor o la tubería de descarga están obstruidos	Quite la bomba y límpiela. Revise si la tubería tiene sarro o señales de corrosión.
	Desgaste del impulsor	Reemplace la bomba.

Piezas de repuesto

Número de pieza	Descripción
305624001	Kit de filtro base
305624002	Kit de piezas con tornillo, impulsor, tuerca, sellado, voluta y filtro



Para la ayuda técnica, por favor póngase en contacto:

800.701.7894 | littlegiant.com

Form 10000005491 Rev. 003 02/22

Little GIANT

Franklin Electric Co., Inc. | Oklahoma City, OK 73157-2010

Copyright © 2022, Franklin Electric Co., Inc. Todos los derechos están reservados.

Série 5 de pompes à submersible

Cette pompe à usages multiples submersible est connue pour les applications de transfert d'eau claire et d'élimination d'eau domestique.

Cette série de pompes est disponible en modèles manuels et automatiques. La pompe manuelle peut être convertie pour fonctionner en mode automatique en installant un contrôle de niveau de liquide séparé. Le moteur de la pompe est doté d'un disjoncteur thermique à réenclenchement automatique et peut redémarrer inopinément. Le déclenchement du disjoncteur thermique indique la surcharge ou la surchauffe du moteur.

Ce produit est couvert par une garantie limitée pour une période de 1 an à compter de la date d'achat originale par le consommateur. Pour obtenir des informations complètes sur la garantie, consultez www.LittleGiant.com.



Spécifications

Volts	ch	psi	Hz	Watts	Ampères FLA	Courant du disjoncteur
115	1/6	11,4	60	220	2,0	15
230					1,0	10

Débits

Gallons/Liters per Hour					Éteindre m (pi)
0,3 m (1 pi)	0,9 m (3 pi)	1,5 m (5 pi)	3 m (10 pi)	6 m (20 pi)	
5678 / 1500	5542 / 1464	5281 / 1395	4508 / 1191	1999 / 528	8 (26,3)

CONSIGNES DE SÉCURITÉ

Cet équipement doit être installé et entretenu par des techniciens qualifiés capables de choisir et d'utiliser les outils, les équipements et les procédures appropriés. Le non-respect des codes électriques et codes de plomberie local et national et des recommandations de Little Giant pourrait mener à une électrocution ou un incendie, une mauvaise performance ou une défaillance de l'équipement.

Renseignez-vous sur l'application, les limitations et les risques potentiels du produit. Lisez et suivez attentivement les instructions pour éviter toute blessure ou tout dommage matériel. Ne démontez pas et ne réparez pas l'appareil si ces opérations ne sont pas décrites dans le présent manuel.

Consulter la plaque signalétique du produit pour obtenir des instructions et des spécifications de fonctionnement supplémentaires.

Le non-respect des procédures d'installation ou d'utilisation et de tous les codes en vigueur peut entraîner les risques suivants:

DANGER



Risque de mort, de blessure corporelle ou de dommage matériel en raison d'une explosion, d'un incendie ou d'une électrocution.

- Ne pas utiliser pour pomper des liquides inflammables, combustibles ou explosifs comme l'essence, le mazout, le kérosène, etc.
- Ne pas utiliser dans une atmosphère explosive ou un emplacement dangereux selon le Code national de l'électricité, ANSI/NFPA70.
- Ne pas manipuler une pompe ou un moteur de pompe avec les mains mouillées ou debout sur une surface humide ou mouillée, ou dans de l'eau.
- Lorsqu'une pompe est en mode de fonctionnement, ne pas toucher le moteur, les tuyaux ou l'eau tant que l'unité n'a pas été débranchée ou déconnectée électriquement.
- Si le dispositif de coupure du circuit d'alimentation se situe hors site, le verrouiller en position ouverte et le consigner afin d'empêcher toute mise sous tension inopinée.

AVERTISSEMENT



Cet appareil contient des tensions élevées susceptibles d'entraîner par choc électrique des blessures graves ou la mort.

- Pour réduire le risque de choc électrique, débranchez l'alimentation avant de travailler sur le système ou autour de celui-ci. Plusieurs interrupteurs d'isolement peuvent être nécessaires pour décharger l'équipement avant de procéder à son entretien.
- Assurez-vous que cette pompe est raccordée à un circuit doté d'un disjoncteur différentiel de fuite à la terre (DDFT).
- Certaines pompes sont fournies avec un conducteur de mise à la terre et d'une fiche de branchement de type mise à la terre. Pour réduire le risque de décharge électrique, assurez-vous qu'il est correctement raccordé à un réceptacle de type mise à la terre uniquement. Ne retirez pas la troisième broche de la fiche.
- Certaines pompes sont fournies avec des fils conducteurs et sont destinées à être câblées avec une boîte de jonction ou un autre boîtier approuvé. Ce type de pompe est équipé d'un connecteur de mise à la terre. Pour réduire le risque de décharge électrique, assurez-vous qu'il est correctement raccordé à la terre.
- Assurez-vous que les branchements électriques ne peuvent pas être en contact avec l'eau si son niveau augmente. La boîte de jonction ne doit en aucun cas être placée à un endroit où elle pourrait être submergée par l'eau.
- Vérifier les prises électriques à l'aide d'un analyseur de circuit pour s'assurer que les fils de phase, de neutre et de terre sont correctement branchés. Si ce n'est pas le cas, le problème doit être corrigé par un électricien qualifié agréé.
- Raccorder le système de pompe en respectant la tension indiquée.
- Ne pas soulever la pompe à l'aide du cordon électrique.
- Ne pas utiliser de rallonge.

ATTENTION



Risque de blessure, de choc électrique ou de dégâts matériels.

- Cet équipement ne doit pas être utilisé par des enfants ou des personnes aux capacités physiques, sensorielles ou cognitives réduites, ou par des personnes n'ayant pas l'expérience ou l'expertise appropriée, sauf si ces personnes sont supervisées ou ont reçu des instructions à cet effet. Les enfants ne doivent pas utiliser l'équipement ni jouer avec l'appareil ou dans sa proximité immédiate.
- L'équipement peut démarrer automatiquement. Débranchez toujours le cordon d'alimentation de la pompe et coupez l'alimentation électrique avant d'entretenir la pompe ou l'interrupteur.
- Une pompe inopérante ou défectueuse pourrait entraîner une inondation, des blessures corporelles ou des dommages matériels.
- Dans les applications où des dommages matériels et/ou des blessures corporelles pourraient découler du non-fonctionnement ou d'une fuite de la pompe en raison de pannes de courant, d'une obstruction de la ligne d'évacuation ou de toute autre raison, un système de sauvegarde automatique et/ou une alarme doivent être installés.
- Ne pas faire fonctionner la pompe à sec. En cas de fonctionnement à sec, la température à la surface de la pompe augmentera à un niveau susceptible de causer des brûlures cutanées en cas de contact et entraînera de graves dommages à votre pompe.
- Ne pas graisser le moteur. Le carter moteur de la pompe est scellé et renferme une huile diélectrique de qualité supérieure pour la transmission de chaleur et la lubrification à vie. L'utilisation d'autres huiles peut causer de graves électrocutions et/ou des dommages permanents de la pompe.
- La pompe a été évaluée pour être utilisée avec de l'eau uniquement. La pompe doit être utilisée uniquement avec des liquides compatibles avec les matériaux de ses composants. Si la pompe est utilisée avec des liquides incompatibles avec les composants de la pompe, le liquide peut provoquer une défaillance du système d'isolation électrique entraînant un choc électrique.
- L'utilisation de cet équipement nécessite les instructions d'installation et d'utilisation détaillées fournies dans le présent manuel à utiliser avec ce produit. Lisez le manuel intégralement avant de procéder à l'installation et à l'utilisation du produit. L'utilisateur final doit recevoir et conserver le manuel pour consultation ultérieure.
- Garder les étiquettes de sécurité propres et en bon état.
- Si un interrupteur à flotteur auxiliaire ou tout autre dispositif de contrôle du niveau de liquide est installé, consulter les instructions du fabricant. Le non-respect des codes locaux et nationaux de l'électricité et de la plomberie, ainsi que des recommandations du fabricant, lors de l'installation de ces dispositifs de contrôle, pourrait causer un risque d'électrocution ou d'incendie, une mauvaise performance ou une défaillance de l'équipement.
- Le pompage de sable ou d'autres abrasifs peut endommager la pompe et annuler la garantie.

AVIS

Risque de dommages à la pompe ou d'autres équipements.

- Ne pas utiliser la pompe pour pomper de l'eau de mer, des boissons, de l'acide, des solutions chimiques ou tout autre liquide qui favoriserait la corrosion, ce qui pourrait endommager la pompe.
- Ne pas faire tourner la pompe à sec. Pour obtenir un refroidissement optimal et pour prolonger la durée de vie de la pompe, le niveau de liquide pompé doit normalement dépasser le dessus du boîtier de la pompe.
- Cette pompe n'est pas prévue pour être utilisée dans un étang.
- Le retrait du couvercle du boîtier du moteur ou le cordon d'alimentation entraînera l'annulation de la garantie.

INSTALLATION

Installation physique

IMPORTANT: Ne pas brancher la pompe avant que tous les raccords de plomberie aient été effectués et que la pompe soit bien fixée en place.

1. Connectez un tuyau d'arrosage directement à la décharge de 3/4 po ou connectez le tuyau ou tuyau fileté MNPT de 1 po à l'adaptateur FNPT 1 po inclus.
 - Si utilisez l'adaptateur de tuyau d'arrosage 3/4 po, les performances seront réduites d'environ 15%.
 - Si un tube en vinyle flexible est utilisé, une pince peut être utilisée sur le tube pour restreindre le débit.
2. Placez la pompe verticalement sur une surface solide et plat dans l'eau à retirer.
 - L'eau doit être d'au moins 19,05 mm (3/4 po) de profondeur.
 - La pompe doit être totalement immergée pour un refroidissement adéquat lorsqu'elle est utilisée pendant de longues périodes.
 - Ne placez jamais la pompe directement sur des surfaces d'argile, de terre ou de gravier.

INSTALLATION

Branchements électriques

3. Placez l'extrémité libre du boyau d'arrosage ou du tuyau la ou l'eau doit être déversée.
4. Pour l'eau à haute teneur en minéraux (eau calcaire) ou en métaux, utilisez une pompe avec une anode sacrificielle attachée pour éviter la «corrosion galvanique».
 - Contactez votre distributeur local pour le modèle SA-1 de Little Giant.

Branchements électriques

Raccordez le cordon d'alimentation à une source d'alimentation électrique constante qui correspond à la plaque signalétique de la pompe.

- La pompe doit être connectée ou branchée sur son propre circuit, sans autre prise ou équipement sur la ligne du circuit.
- Les fusibles et les disjoncteurs doivent être d'une capacité suffisante dans le circuit électrique.

NOTE: Si une prise de type fusible est utilisée sur les 230 V, un fusible d'amp 5,0 est recommandé.

Certains modèles sont fournis avec des fils aux extrémités dénudées. Le code de couleurs suivant est utilisé pour les cordons d'alimentation :

- Vert/jaune = Terre
- Marron = Ligne
- Bleu = Ligne (230 V) ou Neutre (115 V)

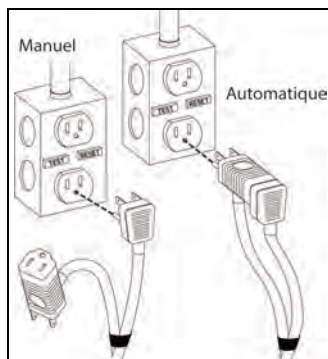
Modèles de pompes manuelles

Les pompes manuelles sont branchées dans un réceptacle DDFT dédié et commandées en commutant l'alimentation ou en débranchant le cordon. Convertissez les pompes manuelles au mode automatique en installant un dispositif de contrôle du niveau de liquide séparé conformément aux instructions du fabricant.

Modèles de pompes automatiques

Les pompes automatiques ont deux cordons d'alimentation avec une fiche gigogne sur le cordon de l'interrupteur.

1. Branchez le cordon de la pompe dans le cordon de l'interrupteur.
2. Branchez le cordon de l'interrupteur dans une prise DDFT.



FONCTIONNEMENT

AVIS

Risque de dommages à la pompe ou d'autres équipements.

- Toujours vérifier la présence de dommages et de corrosion sur le cordon d'alimentation et la prise électrique avant chaque utilisation. Le cordon d'alimentation de ces appareils ne peut pas être remplacé. S'il est endommagé, remplacer la pompe.
- Ne pas laisser la pompe fonctionner à sec (sans liquide). Il est conçu pour être refroidi par le liquide de pompage. Le joint d'étanchéité peut être endommagé et le moteur peut cesser de fonctionner si la pompe fonctionne à sec.
- Ne laissez pas l'appareil geler. Le gel peut provoquer des fissures ou des déformations qui peuvent endommager l'appareil.

Test de fonctionnement de pompe manuelle

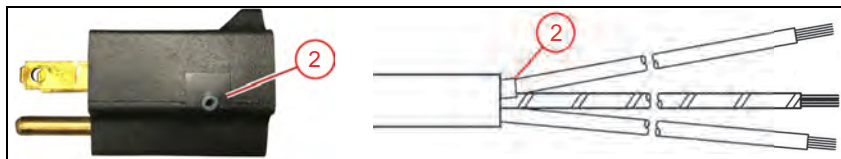
1. Branchez le cordon d'alimentation directement dans une prise électrique ou mettez sous tension au niveau de la boîte de jonction.
2. Vérifiez que la pompe fonctionne comme prévu.
 - Une pompe avec un écran enlève l'eau à moins de 1/8 po. Une pompe sans un écran enlèvera l'eau à moins de 1/16 po.
3. Débrancher l'appareil dès que la pompe cesse de pomper l'eau ou que le son d'aspiration change.
 - Si l'unité doit être laissée inutilisée pendant une certaine période, suivez les instructions de nettoyage présentées dans "[Service périodique](#)" on page 18.

Test de fonctionnement de pompe automatique

Certains modèles de pompes sont équipés d'un interrupteur à diaphragme. Pour que l'interrupteur fonctionne correctement, il est aéré à l'atmosphère grâce à un tube reniflard passant dans le cordon d'alimentation de la pompe.

1. Placer la pompe dans un bassin d'essai vide.
2. Raccordez la pompe à une alimentation avec une tension correct. Consultez la plaque signalétique de la pompe.
 - Si la ligne d'évacuation est dotée d'une vanne, assurez qu'il est ouvert.
3. Faites couler de l'eau dans le bassin jusqu'à ce que la pompe principale démarre. Ne pas faire fonctionner la pompe sans eau.
4. Confirmez que la pompe et son interrupteur de commande fonctionnent comme ils le devraient.
 - Si la pompe ne se met pas en marche, consultez "[Test de l'interrupteur à diaphragme](#)" on page 18.
5. Assurez-vous que les niveaux MARCHE-ARRÊT sont conformes aux spécifications.
 - Une pompe avec un écran enlève l'eau à moins de 1/8 po. Une pompe sans un écran enlèvera l'eau à moins de 1/16 po.
6. Laissez la pompe fonctionner pendant plusieurs cycles de MARCHE-ARRÊT.

Test de l'interrupteur à diaphragme



En raison de l'aspiration, le diaphragme de l'interrupteur est poussé vers l'intérieur, activant l'interrupteur dans son boîtier. Une fois la seringue libérée, le diaphragme revient à sa position initiale, désactivant l'interrupteur dans son boîtier.

REMARQUE: Ce test est recommandé pour les essais au banc uniquement.

1. Appuyez sur la poire de une seringue à poire d'aspiration pour l'aspiration.
2. Insérez la petite extrémité dans le tube reniflard du cordon d'alimentation ou à l'extrémité dénudée du cordon d'alimentation.
3. Relâchez la poire pour provoquer l'aspiration/le vide.
4. Attendez que l'interrupteur émette un clic.
5. Une fois l'égalisation réalisée grâce à l'aspiration/au vide, attendez que l'interrupteur à diaphragme émette un bruit pour relâcher le dispositif.



ENTRETIEN

Service périodique

▲ AVERTISSEMENT



Risque de blessure grave ou de mort par électrocution, température élevée ou liquide sous pression.

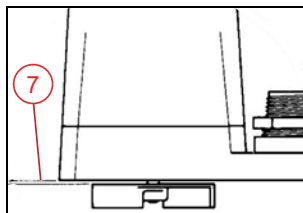
- Avant d'effectuer des travaux sur la pompe ou l'interrupteur, vous devez toujours débrancher le cordon d'alimentation de la pompe, en plus de retirer le fusible ou de couper le disjoncteur.
- Laisser la pompe refroidir pendant au moins deux heures avant toute tentative d'entretien. Les pompes immergées qui devient chaude et sous pression dans des conditions normales d'utilisation.

AVIS

Risque de dommages à la pompe ou d'autres équipements.

- Ne pas retirer le couvercle du boîtier du moteur.
- Ne pas retirer le rotor. Cette action nécessite des outils spéciaux et peut endommager la pompe.

1. Retirez l'alimentation électrique de la pompe.
2. Débranchez le tuyau de refoulement de la pompe.
3. Retirez l'écran en faisant levier dans les fentes entre l'écran et la volute.
4. Retirez les vis qui maintiennent la volute au carter du moteur.
5. Retirez la volute en prenant soin de ne pas perdre la bague d'étanchéité.
6. Nettoyez le passage de volute et l'impulseur. N'utilisez pas de solvants forts sur l'impulseur.
7. Si la rotor est retirée, s'assurer qu'elle est espacée de 1,27 mm (0,05 po.) lorsqu'elle est réassemblée.



8. Assurez-vous que l'impulseur tourne librement après le nettoyage.
9. Remplacez la bague d'étanchéité dans la volute et fixez la volute au carter du moteur avec des vis.
10. Remplacez l'écran sur la volute.

Dépannage

Problème	Causes probables	Mesure corrective
La pompe ne se met pas en marche	La pompe n'est pas branchée à l'alimentation électrique	Branchez la pompe à un circuit dédié équipé d'un dispositif DDFT.
	Le disjoncteur est éteint ou le fusible a été retiré	Mettez le disjoncteur sous tension ou remplacez le fusible.
	Moteur défectueux	Remplacez la pompe.
La pompe ne s'éteint pas	L'afflux de liquide est adapté aux capacités de la pompe	Une pompe de plus grande taille est nécessaire.
La pompe fonctionne, mais elle ne refoule pas le liquide	La pompe est soulevée trop haut	Vérifiez le rendement de la pompe nominale.
	L'entrée de la roue est bouchée	Tirez la pompe et nettoyez.
La pompe n'atteint pas la puissance nominale	La pompe est soulevée trop haut	Vérifiez le rendement de la pompe nominale.
	Tension faible, vitesse trop lente	Vérifiez que la tension d'alimentation correspond au courant nominal indiqué sur la plaque signalétique.
	La roue ou le tuyau de refoulement est bouché(e)	Tirez la pompe et nettoyez. Vérifiez que le tuyau est exempt de tartre ou de corrosion.
	Usure de la roue due à des abrasifs	Remplacez la pompe.

Pièces de rechange

Référence	Description
305624001	Kit d'écran inférieur
305624002	Kit de pièces de rechange: vis, rotor, écrou, étanchéité, volute et écran



Pour l'aide technique, entrez s'il vous plaît en contact :

800.701.7894 | **littlegiant.com**

Form 10000005491 Rév. 003 02/22

LittleGIANT®

Franklin Electric Co., Inc. | Oklahoma City, OK 73157-2010

Droits d'auteur © 2022, Franklin Electric, Co., Inc. Tous droits réservés.