

5.5 SERIES - 1/4 HP

APPLICATIONS

Basement sumps

FEATURES

- PSC motor with thermal overload protection
- Integral snap-action float switch
- 1-1/2" discharge
- 3/4" GHT (19mm) garden hose adapter included
- Screened inlet handles up to 3/8" (9.5 mm) solids
- 120 °F (49 °C) liquid temperature rating
- cCSAus listed



SERIES SPECIFICATIONS

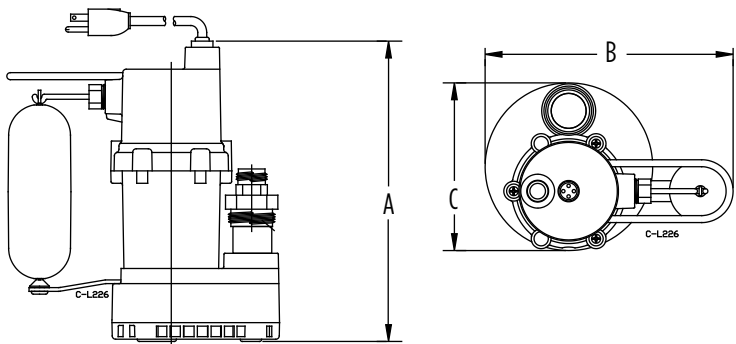
Model	HP	Volts	Hz	Amps	Watts	Max. Water Temp.	GPM / Liters per Minute @ Height			Shut-Off	
							5 ft / 1.5 m	10 ft / 3 m	20 ft / 6.1 m	ft / m	PSI / Bar
5.5-ASPA	1/4	115	60	3.5	350	120F	35 / 132	30 / 114	10 / 38	25 / 7.62	10.8 / 0.69

Item No.	Model	HP	Volts	Switch Type / Operation	On Level	Off Level	Cord	Weight
505702	5.5-ASPA	1/4	115	Integral Snap-Action Float	7" - 10" 18 cm - 25 cm	2" - 5" 5 cm - 13 cm	10' 3 m	10.25 lbs 4.65 Kg
505703	5.5-ASPA	1/4	115	Integral Snap-Action Float	7" - 10" 18 cm - 25 cm	2" - 5" 5 cm - 13 cm	25' 7.6 m	11.5 lbs 5.22 Kg

SUMP PUMPS

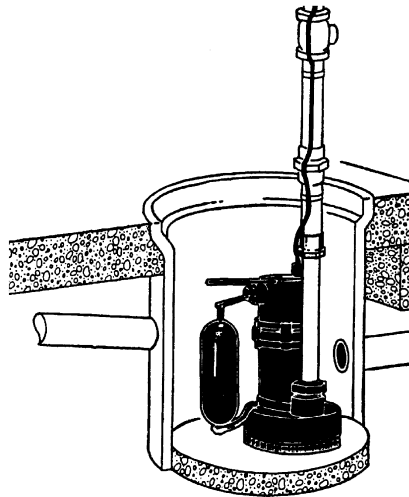
5.5 SERIES - 1/4 HP

ENGINEERING DATA

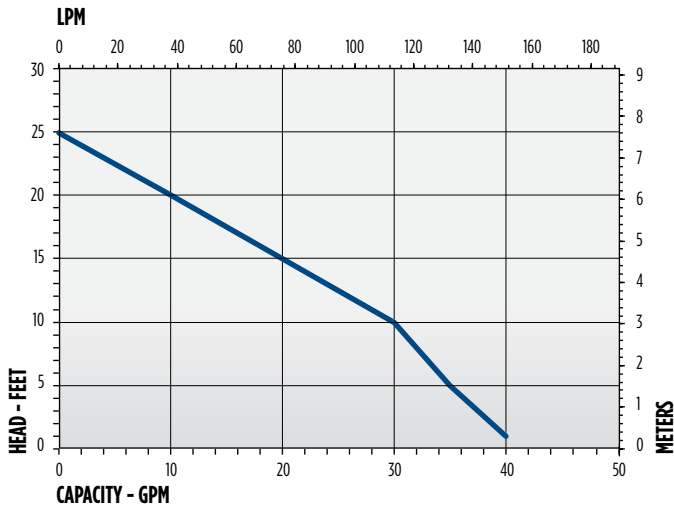


A	B	C
10.8" (274.8 mm)	10.4" (264 mm)	8.7" (221 mm)

TYPICAL INSTALLATION



PERFORMANCE DATA



CONSTRUCTION

Motor Housing	Aluminum
Impeller Material	Nylon
Impeller Type	Non-clog
Volute	Polypropylene
Motor Shaft	440C SS
Shaft Seal	Mechanical
Fasteners	Stainless steel
Bearings	Ball
Power Cord	SJTW-A