

# LEAD FREE Y-STRAINERS



## T/S-651G

- Dezincification Resistant Bronze
- 304 Stainless Steel 20 Mesh Screen
- C89844 Bronze
- 1/2" NPT Plugged Cap

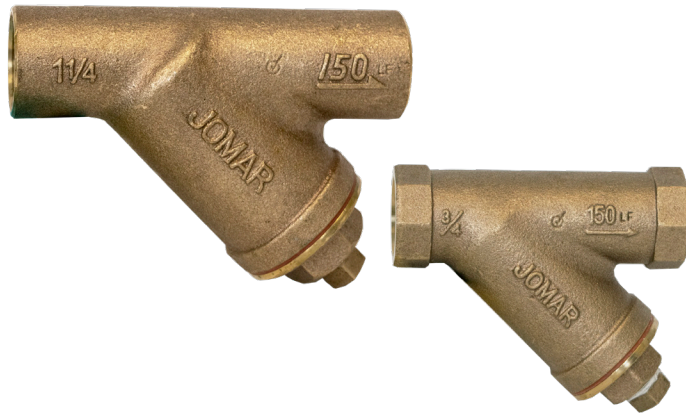


[www.jomarvalve.com](http://www.jomarvalve.com) • P: (586) 268-1220 • F: (586) 979-8315

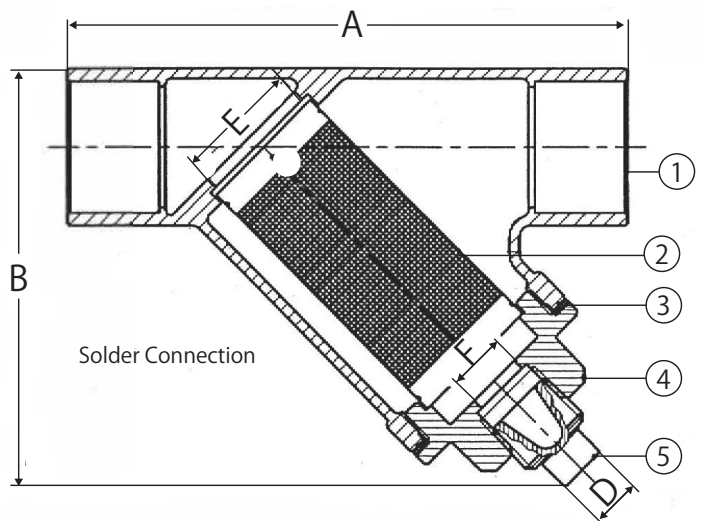
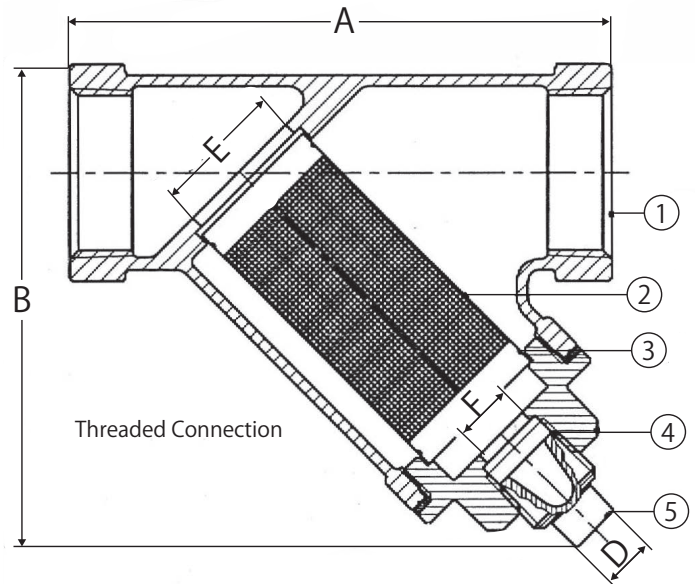
# Lead Free Y-Strainer



Threaded & Solder Connections • 150 WOG • 20 Stainless Steel Mesh



T/S-651G



## Features

- Dezincification Resistant Bronze
- C89844 Bronze
- 304 Stainless Steel 20 Mesh Screen
- 1/2" NPT Plugged Cap
- Wetted surfaces contain less than .25% lead content

## Pressure / Temperature Rating

- 150 WOG
- Max Temp. 180°F

## Dimensions

Part No.	Size	List Price	A	B	D	E	F
<b>Threaded Connection</b>							
106-303G	1/2"	\$26.92	3.23	3.01	0.45	0.61	0.57
106-304G	3/4"	\$41.31	3.94	3.49	0.45	0.83	0.59
106-305G	1"	\$63.08	4.53	4.03	0.52	1.00	0.59
106-306G	1-1/4"	\$93.91	5.33	4.70	0.52	1.30	0.59
106-307G	1-1/2"	\$118.14	6.20	5.02	0.52	1.64	0.59
106-308G	2"	\$186.52	7.44	6.14	0.52	2.03	0.59
106-309G	2-1/2"	\$304.12	8.94	7.22	0.52	2.50	0.59
106-310G	3"	\$450.84	10.00	7.85	0.52	3.01	0.59
<b>Solder Connection</b>							
106-403G	1/2"	\$26.92	3.42	2.83	0.45	0.61	0.57
106-404G	3/4"	\$41.31	4.31	3.27	0.45	0.83	0.59
106-405G	1"	\$63.08	6.10	3.78	0.52	1.00	0.59
106-406G	1-1/4"	\$93.91	5.90	4.37	0.52	1.29	0.59
106-407G	1-1/2"	\$118.14	6.89	4.82	0.52	1.64	0.59
106-408G	2"	\$186.52	8.62	5.90	0.52	2.03	0.59

## Material Specifications

No.	Part	Materials
1	Body	Cast Bronze - C89844
2	Filter	304 Stainless Steel - 20 Mesh Screen
3	Packing	Fibre
4	Bonnet	Cast Bronze - C89844
5	Plug	Cast Bronze - C89844



**WARNING:** This product can expose you to chemicals including lead, which is known to the State of California to cause cancer, and lead, which is known to the State of California to cause birth defects or other reproductive harm. For more information go to [www.P65Warnings.ca.gov](http://www.P65Warnings.ca.gov).