

Lead Free Brass Inline Check Valves

Available in 1/2" - 2"



T-521G



S-521G

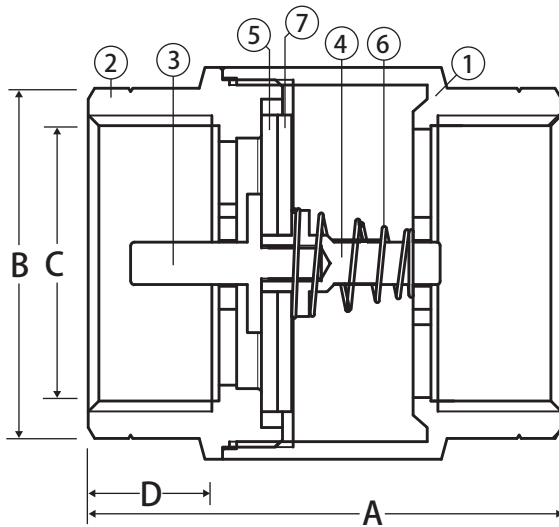


www.jomarvalve.com

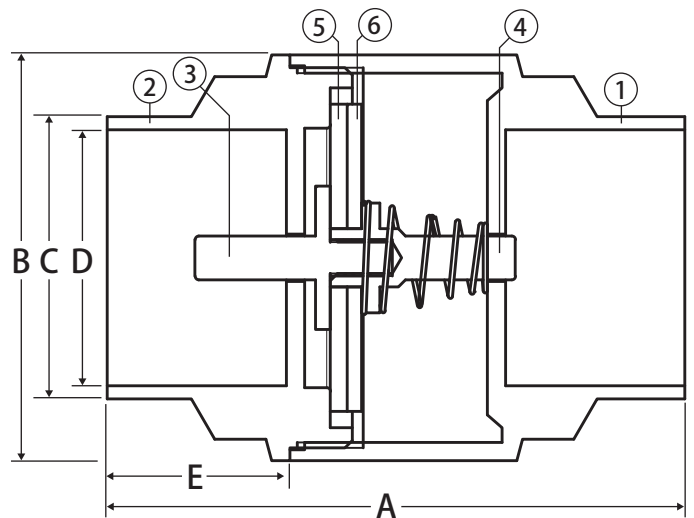
Lead Free Brass Inline Check Valve



Threaded or Solder Connection • 300 WOG • Class 150



T-521G



S-521G

Features

- Forged Lead Free Brass Body
- Bubble tight Teflon seal
- Wetted surfaces contain less than .25% lead content

Approvals

- Lead Free Compliant
- ANSI B1.20.1 (Threaded)
- ASME B16.18 (Solder)

Pressure/Temperature Rating

- 300WOG
- Max. 250°F

Material Specifications

No.	Part	Materials
1	Body	Lead Free Brass
2	Tailpiece	Lead Free Brass
3	Disc Holder 1	Lead Free Brass
4	Disc Holder 2	Lead Free Brass
5	Disc	PTFE
6	Spring	304 Stainless Steel

Part No.	Size	List Price	Shipping			Dimensions				
			Case Qty	Carton Qty	Case Weight	A	B	C	D	E
Threaded										
105-603G	1/2"	\$9.56	100	25	34	1.28	1.91	0.5	0.49	-
105-604G	3/4"	\$12.70	128	16	50	1.54	2.06	0.75	0.59	-
105-605G	1"	\$19.02	96	12	62	1.77	2.3	1.00	0.59	-
105-606G	1-1/4"	\$31.93	36	9	39	2.17	2.64	1.25	0.73	-
105-607G	1-1/2"	\$35.32	32	8	38	2.34	2.74	1.50	0.71	-
105-608G	2"	\$58.68	16	4	36	3.15	3.31	2.00	0.83	-
Solder										
105-613G	1/2"	\$9.70	100	25	33	1.28	1.91	0.5	0.49	0.74
105-614G	3/4"	\$12.83	128	16	52	1.54	2.06	0.75	0.59	0.77
105-615G	1"	\$18.98	96	12	60	1.77	2.3	1.0	0.59	0.89
105-616G	1-1/4"	\$32.38	48	6	52	2.17	2.64	1.25	0.73	0.94
105-617G	1-1/2"	\$35.96	32	4	40	2.34	2.74	1.50	0.71	1.06
105-618G	2"	\$59.27	16	2	42	3.15	3.31	2.00	0.83	1.34