

# Lead Free Horizontal Check Valve

## Press End Connections



P-501G



[www.jomarvalve.com](http://www.jomarvalve.com)

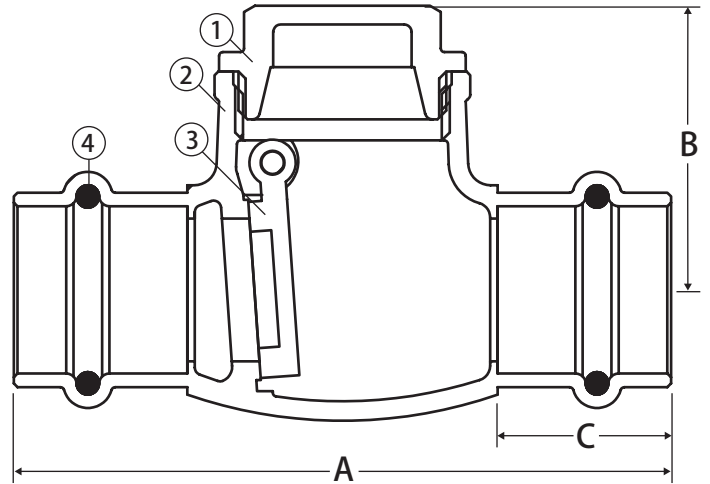
# Lead Free Brass Horizontal Check Valve



## Press Connection • 200 WOG



**P-501G**



### Features

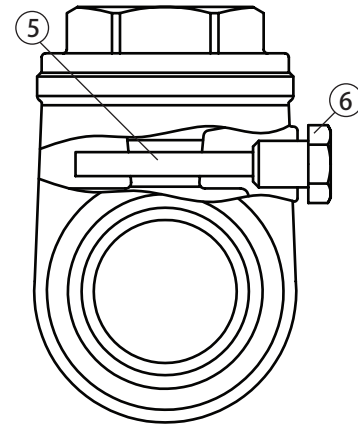
- One-piece body design
- EPDM o-ring seal
- Heavy pattern cast brass construction
- Lead free dezincification brass
- Metal to metal disc seal
- Wetted surfaces contain less than .25% lead content

### Approvals

- Lead Free Compliant
- Conforms to IAPMO PS 117

### Pressure Rating

- 200 WOG



### Material Specifications

No.	Part	Materials
1	End Connection	Lead Free Brass - C87850
2	Body	Lead Free Brass - C87850
3	Disc	Lead Free Brass - C69300
4	O-ring	EPDM
5	Hinge Pin	Brass - C36000
6	Screw	Brass - C36000

Part No.	Threaded		Shipping			Dimensions		
	Size	List Price	Case Qty	Carton Qty	Case Weight	A	B	C
105-003G	1/2"	\$23.27	160	10	76	2.97	2.10	0.75
105-004G	3/4"	\$32.05	120	10	78	3.50	2.27	0.93
105-005G	1"	\$40.67	72	6	74	3.75	2.59	0.95
105-006G	1-1/4"	\$58.11	60	5	89	4.13	3.12	0.98
105-007G	1-1/2"	\$84.97	32	4	63	5.32	3.40	1.36
105-008G	2"	\$125.22	24	2	70	6.06	4.10	1.56